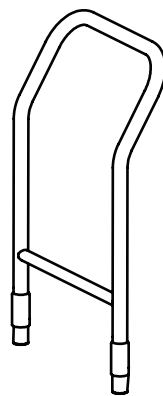


A X 1



B X 1



H X 2



K X 2



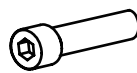
C X 2



I X 16



D X 18



E X 2



F X 16

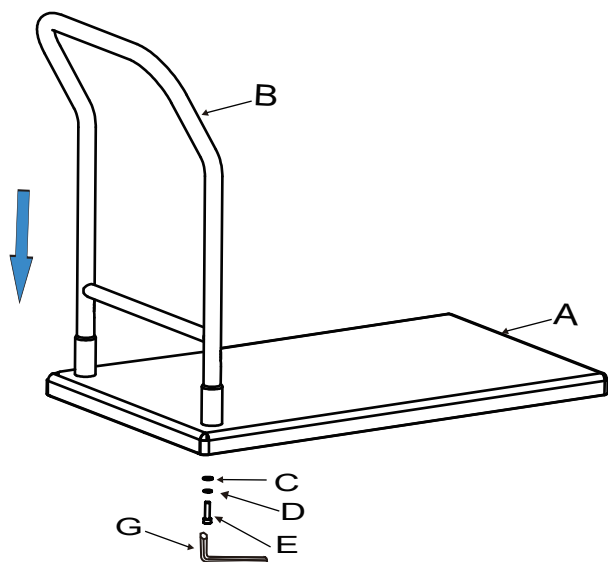


L X 1

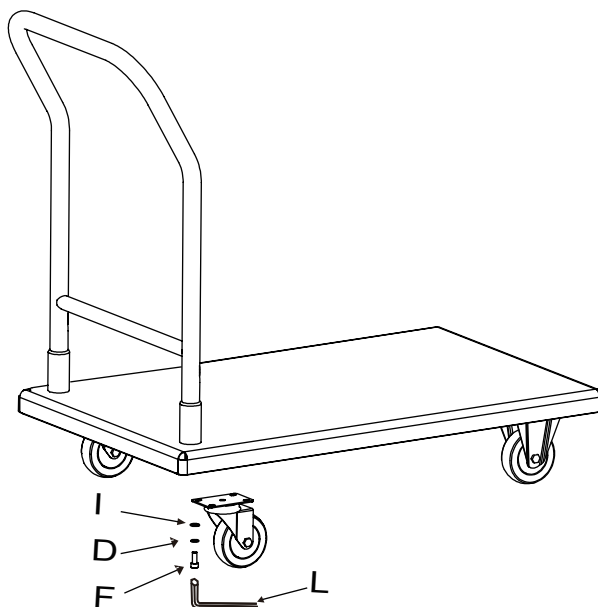


G X 1

1



2



3

