



UTENSIL WASHERS



CLB136U - CLB190U

SAS CASSELIN
83 rue Marcel Mérieux 69960 Corbas FRANCE
Tel: +33 (0)4 82 92 60 00 - Mail: contact@casselin.com

LEGEND SYMBOLS

WARNINGS

FIRST PART

- 1. Purpose of the information contained in PART ONE**
- 2. Reference standards**
- 3. Applicability**
- 4. Transportation**
- 5. Instructions for transport, storage, unpacking and assembly**
- 6. Dishwasher identification and marking**






SECOND PART

- 1. Purpose of the manual**
 - 1.1. Recipient of the manual**
 - 1.2. Use and preservation of the manual**
 - 1.3. Duration and validity of the manual**
 - 1.4. Request for a new manual or a copy of the manual**
 - 1.5. Update**
 - 1.6. Assignment**
 - 1.7. Customer Advice**
 - 1.8. Limits of liability**
 - 1.8.1. Usage limits**
 - 1.8.2. Standards to respect**
 - 1.8.3. Responsibility**
- 2. Facility**
 - 2.1 Position and leveling**
 - 2.2 Electrical connection**


ELECTRICAL INSTALLATION OF THE SINGLE-PHASE DISHWASHER
ELECTRICAL INSTALLATION OF THE THREE-PHASE DISHWASHER
 - 2.3 Grounding**
 - 2.4 Connection to the water network**
 - 2.5 Drain connection**
 - 2.6 Version with drain pump**
 - 2.7 Detergent installation**
 - 2.8 Dishwasher with built-in water softener**
 - 2.9 Water hardness measurement**
 - 2.9.1 Setting the electronic dishwasher**
- 3 Preparation for using the dishwasher**
 - 3.1 Intended uses**
 - 3.2 Terms of use**
 - 3.3 Types of dishes**

3.4 Usage limits	22
3.5 Operator	22
4 Instructions for using the electronic dishwasher with LCD display	22
4.0 Setting the date and time	23
4.1 General function check	23
4.2 Security bodies	23
4.2.1 General securities	23
4.2.2 Red flags	23
4.2.3 Indicators and signals	23
4.2.4 Blocking devices	24
4.2.5 Adjustable and removable guards and guards	24
4.3 Security measures	24
4.4 No-load test	25
4.5 Washing operations	25
4.6 Operation of the electronic dishwasher with LCD display	26
4.6.1 Energy Saving	29
4.7 End of work	29
4.8 Thermostop	30
5 Instructions for disassembly	31
6 Interview	31
6.1 LCD screen maintenance	34
6.2 Device maintenance	35
7 Residual hazards	35
8 Instructions for emergency situations	35
9 Problem resolution	36
9.1. Electronic Dishwasher Warnings and Alarms	39
10 Staff training	41
11 Useful hints	41
12 Instructions for disposal	42
CAUTION	42

LEGEND SYMBOLS

SYMBOL	DESCRIPTION
	<p>CAUTION - DANGER OF INJURY This symbol applies to information and warnings which, if not observed, may compromise the safety of persons or damage the device.</p>
	<p>DANGER OF ELECTROCUTION This symbol applies to information and warnings of an electrical nature, the non-observance of which may compromise the safety of persons or damage the device.</p>
	<p>DANGER OF BURNS This symbol applies to information and warnings of a thermal nature, the non-observance of which may compromise the safety of persons or damage the device.</p>
	<p>FALL HAZARD This symbol applies to information and warnings referring to situations of use of the product, in which a lack of attention can compromise the safety of people.</p>
	<p>READ INSTRUCTIONS read and fully understand all instructions provided in this manual. Keep the manual in a place easily accessible to the user of the dishwasher, so that he can consult it quickly and easily. Do not use the dishwasher if the manual cannot be consulted.</p>

A few general caveats

- ▶ Dear customer, we inform you that the product purchased is a dishwasher
- ▶ This appliance must be used for washing glasses, cups, plates and the like with food type dirt, the residues of which must be removed beforehand, by soaking them without detergent as explained in the chapter "Instructions for use" of this manual. Use is limited to dishwashing for communities. Any other use is strictly prohibited. The dishwasher is NOT designed for washing plastic cutlery or accessories, for washing glasses which may explode on contact with boiling liquids, for washing baby bottles and materials for children, such as cutlery or equivalent containers.
- ▶ Read and understand this manual completely before using the dishwasher.
- ▶ This manual must be kept in a place easily accessible to the user of the dishwasher, so that he can consult it quickly and easily. In the event of damage, destruction or loss of the manual, request a copy from the manufacturer (see paragraph 1.4 – PART TWO).
- ▶ **Do not use the dishwasher if the manual cannot be consulted.**
- ▶ Scrupulously follow the instructions in the use and maintenance manual both for the use operations and for maintenance operations.
- ▶ The dishwasher has been designed and built in compliance with the Standards EMC EN55014-1:2006+A1:2009+A2:2011; EN55014-2:2015; EN61000-3-2:2014; EN61000-3-3:2013 Safety Electrical EN60335-2-58:2005 (incl. Corr.:2007)+A1:2008+A11:2010 used in conjunction with EN60335-1:2012; EN62233:2008 (incl. Corr.:2008)
- ▶ The noise emissions of our dishwashers are 74.3dB and the KpA value = 2.5db
- ▶ The dishwasher must be used by experienced personnel.
Inexperienced staff should be supervised by a manager or a more senior colleague.
experimented until deemed self-sufficient.
- ▶ Ensure that children do not play with the device;
- ▶ This device should not be used by people (including children) with reduced physical, sensory or mental capabilities or by people without the necessary experience or knowledge, unless supervised by a responsible person. of their safety and that they have not been trained in the use of the device.
- ▶ Use by undeclared personnel is prohibited.
- ▶ Always keep the dishwasher clean and its environment in order to allow safe and rapid transit of the operator and his equipment. Avoid, as far as possible, the accumulation of objects or other material that could prevent access to the door.
- ▶ In the event of danger, immediately switch off the voltage to the dishwasher by pressing the stop button or by unplugging the dishwasher from the mains.
- ▶ The placement, installation and commissioning of the dishwasher must be carried out by specialized and authorized personnel.
- ▶ The dishwasher can operate in a temperature range between +10 and +50°C.
- ▶ There connection electric must be realized in accordance to standards in vigor in the country where the machine is installed.
- ▶ Before connecting the machine, make sure that the voltage and frequency of the electrical network correspond to what is indicated on the identification plate and that the machine is connected to an efficient earthing system;
- ▶ At the rear of the machine there is a terminal marked with the symbol  necessary for the equipotential connection between the different devices.
- ▶ The machine must be protected upstream against overloads and short-circuits by an omnipolar magnetothermal type switch, with suitable breaking capacity, or by a load-break disconnecter and type gL fuses of adequate intensity. .It is necessary to install against the indirect contacts, just after the thermal magnetic switch or the disconnecter/fuses, a differential switch with tripping current coordinated with the resistance value of the user's earthing circuit.
- ▶ The maximum supply water temperature is 55°C.
- ▶ The supply water pressure must respect the limits indicated in the technical data (200/350kPa)
- ▶ At the end of the wash, unplug the dishwasher if it is no longer to be used.
- ▶ Clean the filter daily.

- ▶ Thoroughly clean the dishwasher once a week at least.
- ▶ Check the condition of the power cable daily, especially if the power supply socket with the electrical network is not next to the dishwasher.
- ▶ The power cable supplied with the machine is of the H07RN-F type. If the cable is damaged, disconnect the dishwasher from the mains and promptly call an authorized service center to replace the cable.
- ▶ Place the power cable in a way appropriately, avoiding situations where it could be damaged (avoid repeatedly trampling the cable, avoid passing it under doors, etc.).
- ▶ Perform regular maintenance as outlined in the Use and Care Manual.
- ▶ Maintenance activities must be carried out exclusively with the dishwasher stopped and disconnected from the electrical network and with the tank empty.
- ▶ Before performing maintenance, wait for the resistances to cool down (at least 5 minutes). Do not open the dishwasher door/hood while the cycle is in progress. As a locking device, we used a microswitch, placed on the door of the dishwasher, which stops the jet of water in the dishwasher, but it does not cut the electrical voltage of the machine.
- ▶ Routine maintenance activities should be performed safely wearing gloves and Protective glasses.
- ▶ Never use the appliance with wet hands or feet
- ▶ Never immerse your bare hands in the water in the tank
- ▶ Extraordinary maintenance, repair and replacement of components must be carried out by specialized and authorized personnel. Use only original spare parts. The manufacturer declines all responsibility in the event of accidents to persons or property deriving from the use of non-compatible and/or non-original spare parts.
- ▶ The degree of protection of the machine is IPX1, this means that it should not be washed with high pressure water jets or with steam lances.
- ▶ It is forbidden to use the dishwasher with detergents or rinsing liquids other than those recommended (such as washing-up powder, powder for washing machines or specific rinsing liquids for washing machines). domestic crockery), or with corrosive anti-limestone, acids and generally unsuitable cleaning liquids or powders. Do not add bleach to the wash tub.
- ▶ Use only industrial detergents and rinsing liquids such as those we supply or of equivalent composition and suitable for dosing through the dosing pumps already installed in the dishwasher.
- ▶ Do not use steel wool or wire brushes to clean the dishwasher
- ▶ Do not use the device as a raised support, do not climb on the door or on the dishwasher to prevent it from turning over.
- ▶ Dishwashers with square basket 350x350, 400x400 and dishwashers with round basket Ø350 and Ø400 are not suitable for washing plates.

NB The manufacturer declines all responsibility in the event of accidents for persons or property resulting from non-compliance with the standards cited above, or from the use, maintenance or non-compliant repair.



DANGER OF ELECTROCUTION

FIRST PART

1. Purpose of the information contained in PART ONE

The purpose of the information provided in PART ONE is to inform the Customer of the data necessary for proper identification of the dishwasher.

2. Reference standards

The dishwasher has been designed and built in compliance with the EMC Standards EN55014-1:2006+A1:2009+A2:2011; EN55014-2:2015; EN61000-3-2:2014; EN61000-3-3:2013 Safety Electrical EN60335-2-58:2005 (incl. Corr.:2007)+A1:2008+A11:2010 used in conjunction with EN60335-1:2012; EN62233:2008 (incl. Corr.:2008)

Furthermore, it complies with the Safety and Accident Prevention Standards in force on that date.

It is recommended to connect the dishwasher using an adequate differential according to IEC 947 regulations (type 1 coordination) the noise emissions of our dishwashers are 74.3 dB and the value is $KpA=2.5$ db

3. Applicability

The instructions in this manual are only applicable to the type of dishwasher indicated.

4. Transportation

For transport, the machine is protected by strong cardboard packaging (fig. 1).

The weight of the dishwasher can vary from 50 to 170 kg if packed on a pallet, depending on the model.

ATTENTION !



DANGER OF INJURY

THE USE OF EQUIPMENT AND OPERATIONAL PROCEDURES THAT ARE NOT SUITABLE FOR THE LOADING, UNLOADING AND HANDLING OF THE DISHWASHER, MAY CAUSE DAMAGE TO THE PERSONNEL IN CHARGE OF THESE OPERATIONS AND/OR TO THE MACHINE.

THE MANUFACTURER RECOMMENDS COMPLIANCE WITH STANDARDS RELATING TO LOADING, UNLOADING AND HANDLING PROCEDURES IN FORCE IN THE COUNTRY WHERE THE DISHWASHER IS USED.

THE MANUFACTURER DISCLAIMS ALL RESPONSIBILITY FOR DAMAGES CAUSED TO PROPERTY AND/OR PERSONS DERIVING FROM THE IMPROPER USE OF THE EQUIPMENT OR THE ADOPTION OF PROCEDURES THAT ARE NOT COMPLIANT AND/OR APPROPRIATE FOR THE LOADING, UNLOADING AND HANDLING OPERATIONS OF THE WASHER -DISHES.

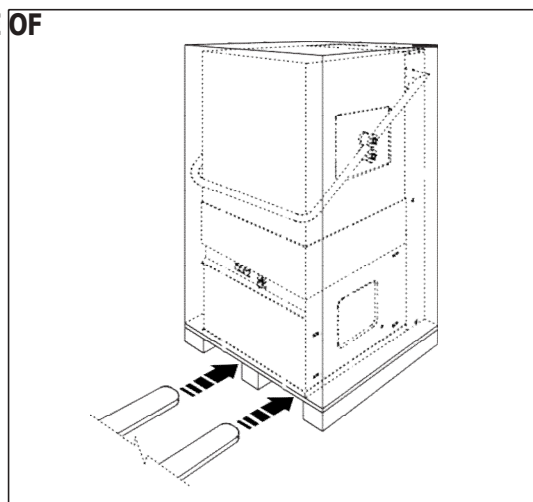


Fig. 1

When the dishwasher arrives, check carefully the tickets and identify the packages. In the event of non-compliance between the documents, the packages delivered and their contents, call the supplier immediately.

Carefully check the condition of the packaging: if it is faulty, broken or has signs mishandling, inform the supplier immediately.

Save the packing cartons so that they can be used if necessary for shipment to the supplier.

5. Instructions for transport, storage, unpacking and assembly

5.1 Transportation

All dishwashers are pallet-packed in a carton stapled to the pallet. The dishwasher must be handled with a forklift or a pallet truck, taking care to keep the dishwasher in balance and avoiding sudden movements. Do not lay the dishwasher down, respect the vertical position as indicated by the arrow printed on the cardboard.

5.2 Storage

If the dishwasher is to be stored, ensure that the temperature of the storage environment is between +5 and +45°C with humidity below 80%. The dishwasher must be packed in its original packaging (pallet and carton) and in an upright position as indicated by the arrow printed on the carton. The pallet can be placed on the ground on a dry and dust-free floor, or on a pallet rack provided that the maximum load indications written on the pallet rack are respected and that it is fixed in order to avoid falls. due to shock or vibration. It is forbidden to superimpose other material on the cardboard of the dishwasher.

Periodically check the correct position of the packaged dishwasher and the integrity of the packaging.

5.3 unpacking and assembly

ATTENTION !



DANGER OF INJURY

PAY PARTICULAR ATTENTION TO THE PRECARIOUS BALANCE OF THE DISHWASHER DURING THE PHASES UNPACKING/ASSEMBLY.

The instructions for unpacking and assembly are only valid if the installation is carried out directly by the customer.

1. Carefully open the packing box (fig. 2).

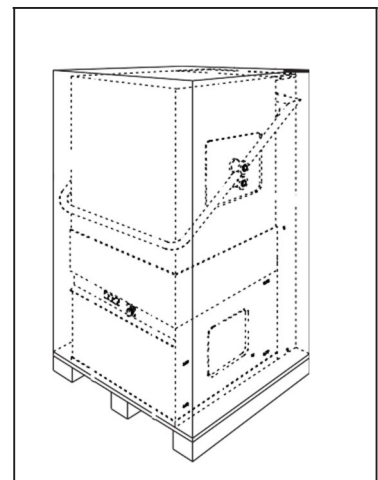


Fig. 2

2. Remove the two screws A which secure the dishwasher to the transport pallet (fig. 3)

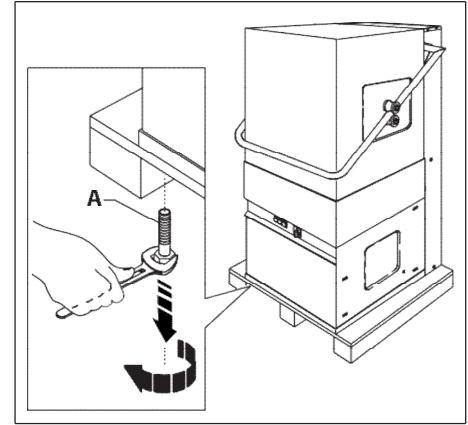


Fig. 3

3. Slide the machine on the pallet until releasing two of the four holes present to insert the supporting feet (fig. 4).
Take one of the supplied feet and screw the screw in one of the two released seats (fig. 4).
Assemble the second leg following the same procedure (fig. 4).

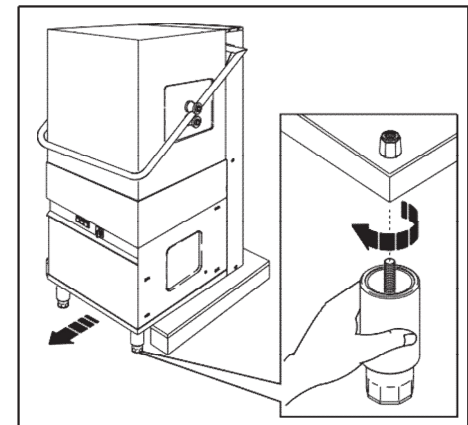


Fig. 4

4. Pull the machine until it is supported on one side on the mounted support feet and on the pallet on the other, so as to release the two other holes, then fit the last two feet according to the same procedure.

6. Dishwasher identification and marking

The dishwasher is identified by:

- *The social reason*
- *CE marking*
- *The indication of the model and serial number*
- *The year of manufacture*
- *The test certificate*

These data are shown on the label that accompanies the dishwasher (fig. 5) and are repeated on the declaration of conformity in the appendix.

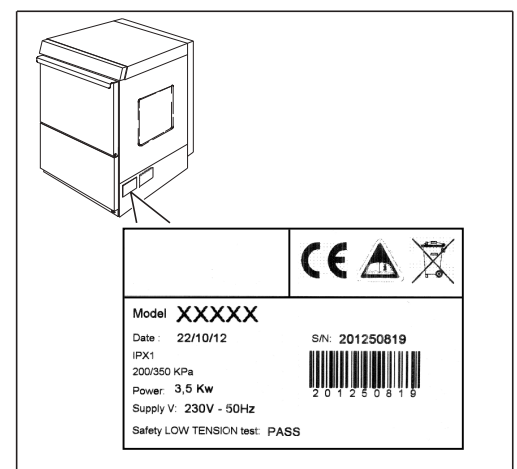


Fig. 5

1. Purpose of the manual

The purpose of this use and maintenance manual is to describe the safety measures, essential for the user, to be observed when using the dishwasher. This use and maintenance manual is an integral part of the dishwasher. By user is meant not only the purchaser of the dishwasher, but all the personnel concerned with its management, operation, maintenance and control.

The information contained in this manual relates to installation, commissioning, use and maintenance operations.

1.1. Recipient of the manual

The manual is intended for the user of the dishwasher and the person who carries out the maintenance.

1.2. Use and preservation of the manual

This manual is designed to provide the information necessary for the correct use of the dishwasher and for maintenance, in accordance with the safety standards introduced by the Machinery Directive and the Harmonized Standards.

For this reason, and even if the use of the dishwasher is very simple, it is necessary to keep the manual intact and easily accessible in case of need: it must remain near the place of use if possible, and it must keep clean, legible and in good condition.

1.3. Duration and validity of the manual

This manual is valid for the life of the dishwasher.

It has been drawn up taking into account the state of the art and the state of the art at the time of the manufacture of the dishwasher.

It therefore refers to the dishwasher with which it was supplied and should be considered valid even after subsequent updates.

1.4. Request for a new manual or a copy of the manual

Expressly ask the Manufacturer to send a second copy, in case of loss or destruction of the copy that accompanies the dishwasher.

To request a copy of the use and maintenance manual, indicate the model, number serial number of the dishwasher and the year of manufacture (fig. 5).

Copies sent are chargeable.

1.5. Update

The Manufacturer reserves the right to make changes to the dishwasher and/or to update update previous manuals without communicating it, except in exceptional cases.

The manual is updated by the Manufacturer in the following cases:

- *if the dishwasher is sent to the Manufacturer to carry out modifications or make improvements*
- *if the manual contains errors or omissions prejudicial to the safe use of the dishwasher.*

In these cases, the manual in the possession of the customer must be returned to the manufacturer, who will take care of replace it with an updated copy.

1.6. Assignment

In the event of transfer or sale of the dishwasher, the Customer must send the Manufacturer the address of the new owner and the date of validity of the contract, in order to inform the new owner of the limits of liability.

1.7. Customer Advice

Customers are invited to submit, in the spirit and in the letter of the Standard, suggestions and

the suggestions for improvement that they deem appropriate to improve the use, readability and conservation of this manual.

To make these communications, contact the dishwasher manufacturer.

1.8. Limits of liability

NB The manufacturer declines all responsibility in the event of accidents for persons or property resulting from non-compliance with the standards cited in this manual, or from the use, maintenance or a non-conforming repair.

1.8.1. Usage limits

This appliance must be intended exclusively for the use for which it was expressly designed, i.e. the washing of glasses, cups and similar objects which, with the basket which receives them, do not exceed the overall dimensions. max h=200 mm or 260 mm, depending on the model.

The limits of use are given by the space and the maximum dimensions of the baskets and cutlery that can be washed.

Use is limited to dishwashing for communities. The dishwasher is NOT designed:

- *for washing dishes, glasses or plastic accessories*
- *for washing glass which can explode under the effect of boiling liquids*
- *for washing baby bottles and materials intended for children or the like.*

Dishwashers with square basket 350x350, 400x400 and dishwashers with round basket Ø350 and Ø400 are not suitable for washing plates.

Dishwashers with 500x600 basket are not suitable for washing glasses.

1.8.2. Standards to respect

The Standards to be complied with specifically concern:

- ▶ *operator safety*
- ▶ *dishwasher safety.*

The Manufacturer assumes no responsibility for the use of the dishwasher in contrary situations or in violation of the Safety Regulations in force in the Country of use, even if they came into force during or after purchase. .

1.8.3. Responsibility

The supplier assumes no liability for damage to property and persons in the following cases:

- *Improper use of the dishwasher*

Improper use means the use of the dishwasher to wash cutlery other than those indicated in the paragraph on the limits of use (par. 1.8.1 – SECOND PART), as this may cause the rotating parts to break, clogging or another, as well as the production of splinters and/or the explosion of the dishes.

Improper use also means the use of detergents or rinsing liquids other than those recommended (such as washing-up powder, washing machine powder or specific rinsing liquids for washing machines domestic crockery), or the use of corrosive anti-limestone, acids and, in general, unsuitable cleaning liquids or powders.

- *Use of the dishwasher by untrained personnel*

The dishwasher should be left to trained personnel. Untrained personnel should be supervised by a supervisor until the person becomes confident in their movements and normal use of the dishwasher.

- *Use contrary to national security standard*

Use by undeclared personnel is prohibited.

- Wrong installation

The dishwasher must be installed correctly, both mechanically and electrically, in premises that do not make it difficult for the operator to use it.

The rules for proper installation, if carried out by the customer, are indicated in the manual.

- Power faults

Faults in the electrical supply can cause motor and other electrical component failures in the dishwasher.

The Manufacturer assumes no liability in the event of damage caused by an electrical voltage that does not comply with the values indicated by the regulations in force on the subject, and more specifically:

- *Minimum voltage limits: -10% nominal value*
- *Maximum voltage limits: 250 V for single-phase 220 V nominal voltage and 440 V for three-phase 380 V nominal voltage.*
- Failure to comply with the recommended or scheduled maintenance (see chap. 6 – PART TWO)

Non-compliance with ordinary and preventive maintenance rules may constitute a cause of breakdown or malfunction.

- Modifications and interventions not allowed

The dishwasher must not be modified, either partially or completely.

- Use of non-original or non-specific spare parts for the model

It is advisable to contact the authorized dealer for the purchase of spare parts and in any case, to use the spare parts recommended or supplied by the Manufacturer.

- Total or partial non-compliance with instructions

ATTENTION !



DANGER OF ELECTROCUTION

READ AND UNDERSTAND THIS MANUAL CAREFULLY BEFORE INSTALLING AND USING THE DISHWASHER. Operating the dishwasher in complete or partial disregard of the instructions may danger to personnel and the dishwasher.

- Exceptional events

In the event of exceptional events such as earthquakes, floods, etc., the Manufacturer assumes no responsibility for damage to property and persons due to the use of the dishwasher in such conditions, nor for the total or partial reconditioning thereof.

2. Facility

ATTENTION !



DANGER OF ELECTROCUTION

The installation must be carried out by specialized and authorized personnel, in accordance with the instructions following.

2.1 Position and leveling

The dishwasher is shipped by the Manufacturer already assembled and with all the accessories and auxiliary elements provided for its operation.

If possible, place the dishwasher near water and electricity supply points.

The device must be placed horizontally; to do this, act on the four adjustable feet (fig. 6).

If the dishwasher is built-in, the side panels and the rear part may stick to the furniture and adjoining walls. The delivery and drain pipes can be oriented either to the right or to the left, but after the final installation of the device, it must be ensured that the pipes are not jammed or bent.

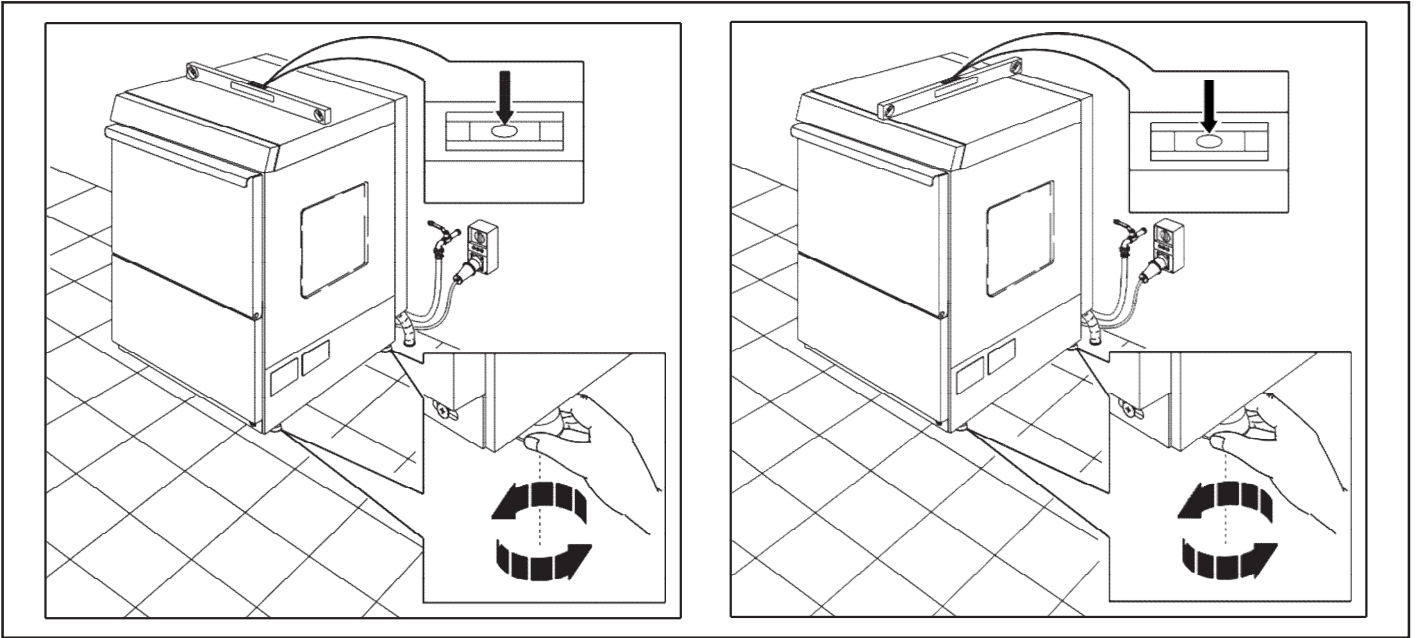


Fig. 6

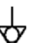
2.2 Electrical connection



ATTENTION !

The electrical connection must be carried out in accordance with the standards in force in the country where the machine is installed.

Before connecting the machine, make sure that the voltage and frequency of the electrical network correspond to what is indicated on the identification plate and that the machine is connected to an efficient earthing system;

At the rear of the machine there is a terminal marked with the symbol  necessary for the potential connection between the different devices.

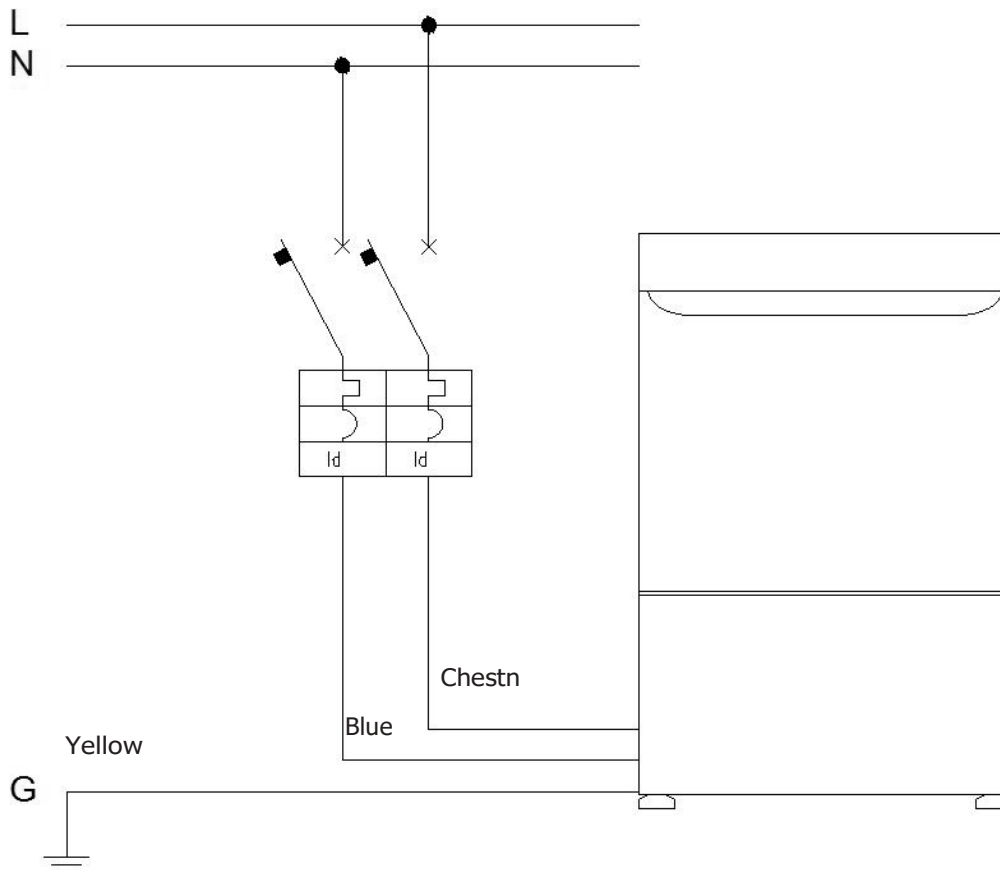
The machine must be protected upstream against overloads and short-circuits by an omnipolar magnetothermal type switch, with suitable breaking capacity, or by a load-break disconnecter and type gL fuses of adequate intensity. It is necessary to install against the indirect contacts, just after the thermal magnetic switch or the disconnecter/fuses, a differential switch with tripping current coordinated with the resistance value of the user's earthing circuit. The power cable, supplied with the machine, is of the H07RN-F type.

Single-phase dishwasher with Schuko plug 230V+T

If the dishwasher has a Schuko plug, plug it into the wall outlet. Connect the appliance to the equipotential system using the terminal provided for this purpose at the rear of the dishwasher.

Single-phase dishwasher without 230V+T plug

If the dishwasher does not have an electrical outlet, make the connection as follows:



Brown wire: line

Blue wire: neutral

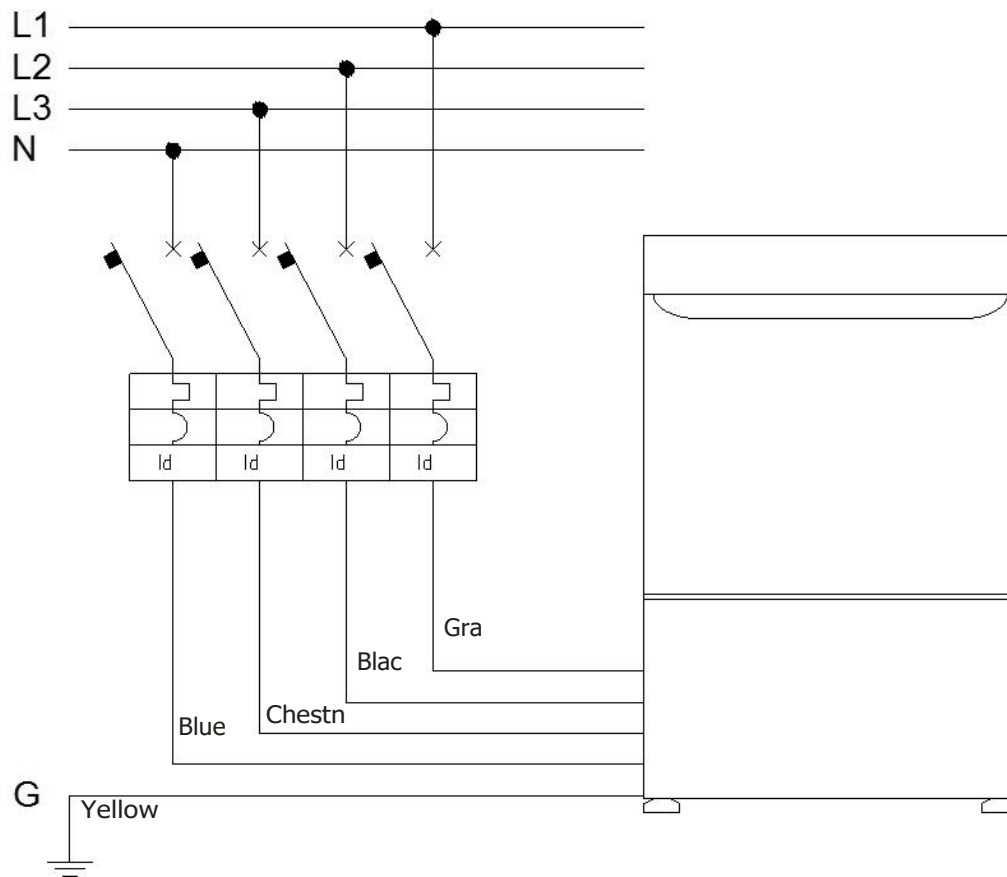
Yellow/green wire: ground circuit

Connect the appliance to the equipotential system using the terminal provided for this purpose at the back of the dishwasher

Three-phase dishwasher 400V3N+T

Three-phase 400V dishwashers are always equipped with 5 poles and therefore a neutral conductor.

Connect as shown below:



Brown wire: line 1

Black wire: line 2

Gray wire: line 3

Blue wire:

neutral

Yellow/green wire: ground circuit

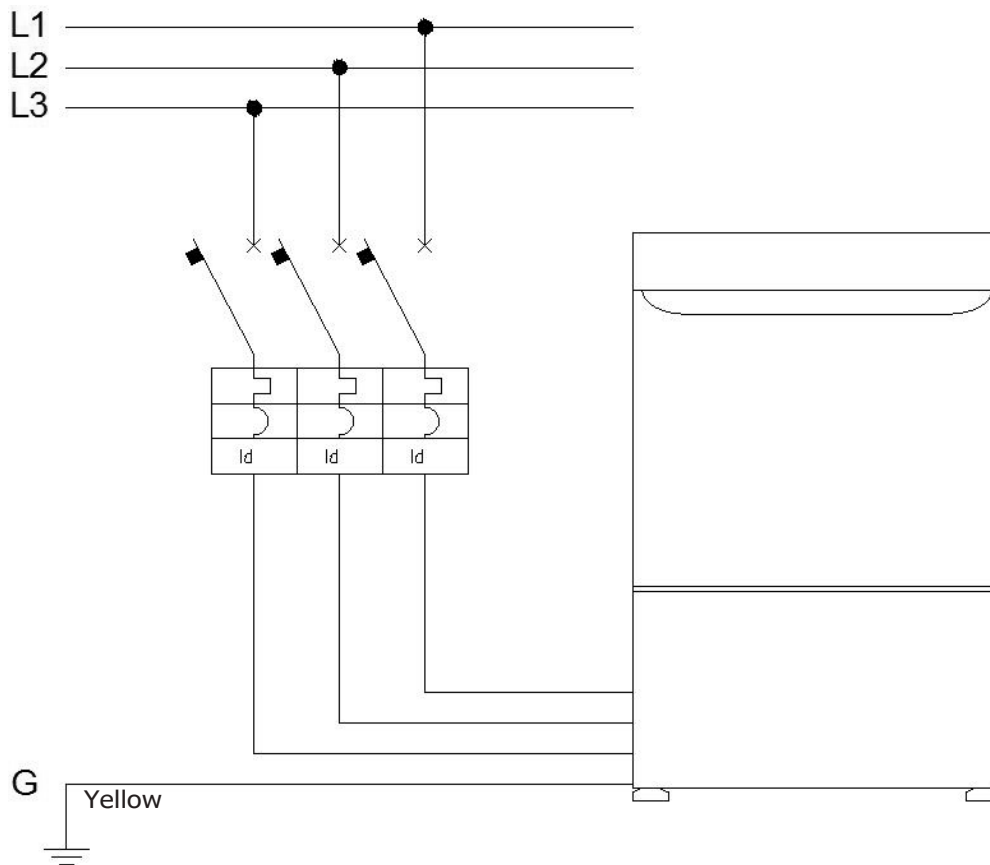
If the dishwasher has a three-phase pump motor, check the direction of rotation of the pump following the instructions included with the dishwasher.

If the pump is rotating in the opposite direction to the arrow on the pump cover, reverse L1 and L2.

Connect the appliance to the equipotential system using the terminal provided for this purpose at the rear of the dishwasher.

Three-phase dishwasher 230V3+T (optional on request)

230V three-phase 4-pole dishwashers are supplied upon explicit request at the time of ordering. A subsequent transformation of the dishwasher may require the replacement of certain components. Connect as shown below:



Brown wire: line 1

Black wire: line 2

Gray wire: line 3

Yellow/green wire: ground circuit

If the dishwasher has a three-phase pump motor, check the direction of rotation of the pump following the instructions included with the dishwasher.

If the pump is rotating in the opposite direction to the arrow on the pump cover, reverse L1 and L2.

Connect the appliance to the equipotential system using the terminal provided for this purpose at the rear of the dishwasher.

Dishwasher without electric cable

If the dishwasher is supplied without an electric cable, follow the instructions in the appendix for connection

from the machine to the electrical network.

Connect the appliance to the equipotential system using the terminal provided for this purpose at the rear of the dishwasher.

2.3 Grounding

The dishwasher must be connected to the building's ground circuit or other verified system and approved in accordance with applicable regulations.



ATTENTION !

We remember that in any case the only connection to earth is not able to reduce the touch voltage and therefore it is necessary to place active devices able to interrupt the flow of voltage in the time, in accordance with Standard CEI 64-8 or the European Standard for installations in public premises.

2.4 Connection to water network

Connect the water hose supplied with the dishwasher to the $\frac{3}{4}$ " water inlet, removing any existing hoses if necessary.

The maximum supply water temperature is 55°C.

The supply water pressure must respect the limits indicated in the technical data (200/350kPa)

Some additional pointers:

- *It is advisable to use pressure reducers if the hydraulic supply takes place by autoclave and at a pressure higher than the normal pressure of the water network.*
- *If the available water pressure is less than 1.5 bar, it is necessary to install an external pressure booster pump to guarantee the rinsing phase.*
- *If the water has a hardness higher than 14°f, it is advisable to use an external softener to avoid the formation of lime deposits and poor washing results.*
- *If the water hardness is higher than 14°f, there is lime formation. If the water hardness is less than 8°f, rinsing is not effective.*

The connection to the water network is made by means of a normal screw connection connected to a faucet with handle or hand wheel (fig. 8).

It is recommended to place a gasket in the connection between the supply pipe and the tap (fig. 8).

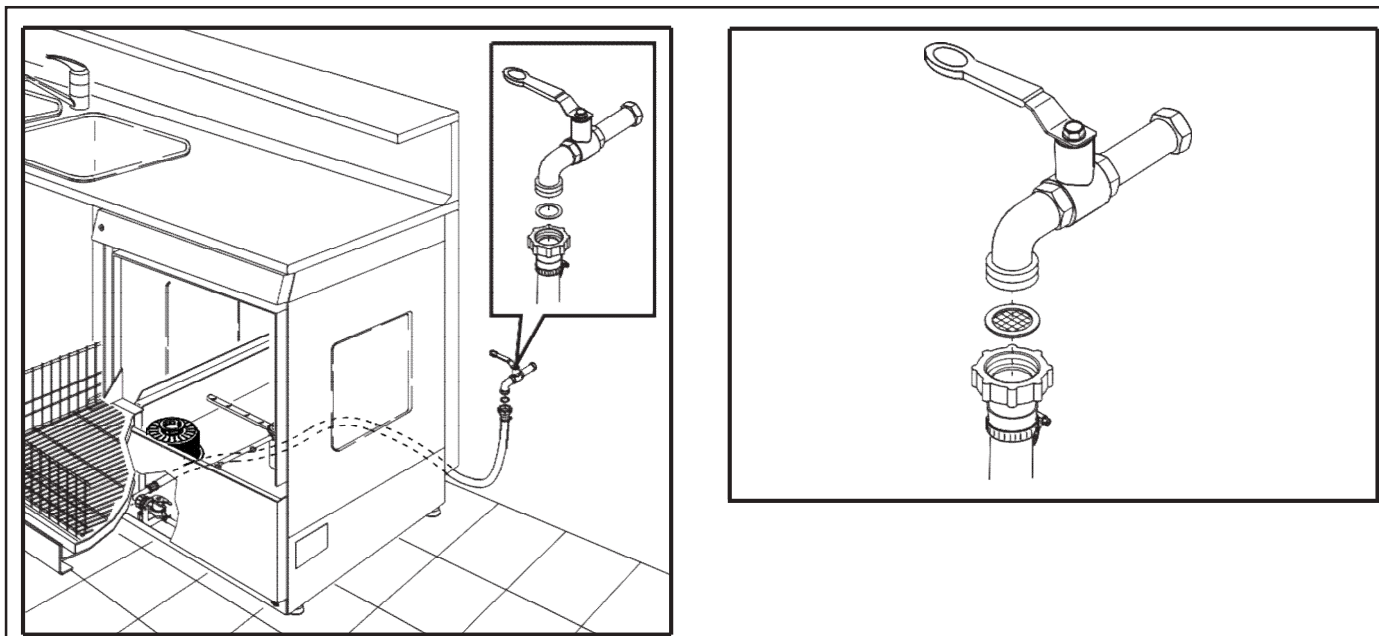


Fig. 8

2.5 Drain connection

At the rear of the dishwasher there is a drain hose, which can be easily adjusted depending on the position of the drain well (fig. 9).

On the other hand, if emptying by dropping is not possible, ask for the version with pump of emptying (fig. 10): on this subject, see par. 2.6 – PART TWO.

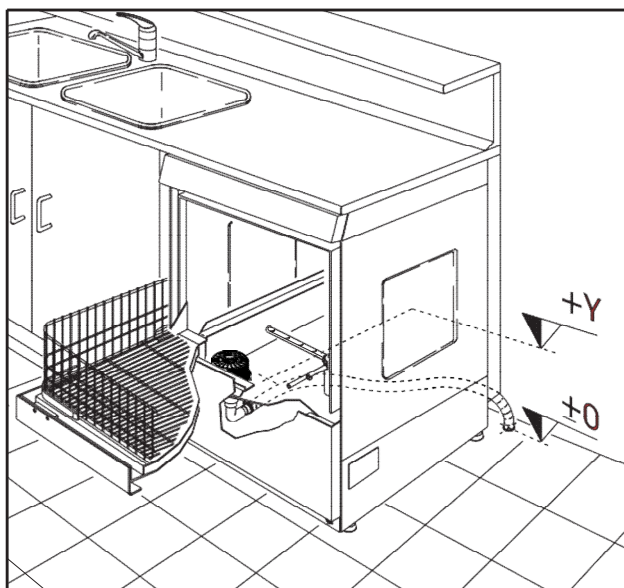


Fig. 9

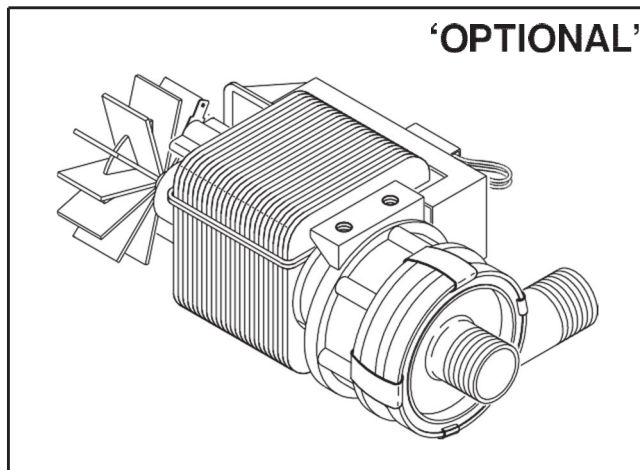


Fig.10

2.6 Version with drain pump

The end of the drain hose can be hooked to the edge of a sink or alternatively to a wall drain fitting that has an air vent or, in any case, of a larger diameter than the drain hose to allow the passage of air.

If you had to extend the drain hose, do not exceed 2 meters.

It is advisable not to exceed a height difference of 40 cm between the connection point of the drain hose and the base of the dishwasher.

Make sure that the drain pipe is always installed on a slope without forming pockets, bends or siphons.



ATTENTION !

If hanging the drain hose over the edge of a sink, position its end so that it prevent drain water from reaching electrical outlets or appliances.

2.7 Detergent installation

The dishwasher has a blue rinse aid supply hose and a yellow detergent supply hose. Before inserting the hoses into their respective container, it is recommended to fit the end of the hoses with the small ballast and the filter supplied with the dishwasher (fig. A). The small ceramic ballast ensures that the suction of the product to the bottom of the container.

Important: never insert the hoses into the containers without first installing the filter, because any crystallized parts of the product seriously damage the dispensers.

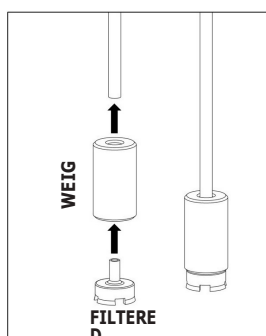


Fig. AT

It is recommended to keep the cans of detergent and rinse aid in sight in order to be able to constantly check the presence of product. Replace the cans as soon as the product ends.

2.8 Dishwasher with built-in water softener

If the machine is equipped with an automatic water softener, this will regenerate during the wash cycle at a frequency configured by the installer when installing the dishwasher. Regeneration happens automatically, no user action is required.

During the first installation, the screen displays the message "SEL REQUIRED". Place 1 kg of salt in the tank (fig. B) and add lukewarm water to dissolve the salt well. The message disappears once the salt is well dissolved.

Each time the screen displays the message "SALT REQUIRED", salt must be added. It is advisable to use a specific salt for dishwashers, with a coarse grain (1-4 mm), taking care not to let any fall to the bottom of the tank in order to avoid rusting the steel and compromise the correct operation of the dishwasher. After filling the tank, screw the cap back on. The autonomy with 1 kg of salt depends on the hardness of the water at the inlet, configured by the installer when installing the dishwasher. It is recommended to add salt immediately as soon as the screen displays the message "SALT REQUIRED", in order to avoid the formation of limescale which damages components of the machine not covered by the guarantee in this case.

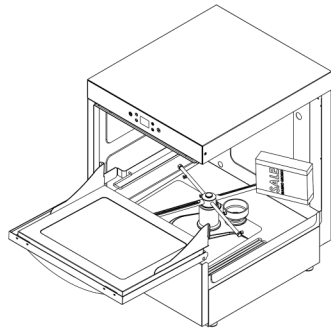
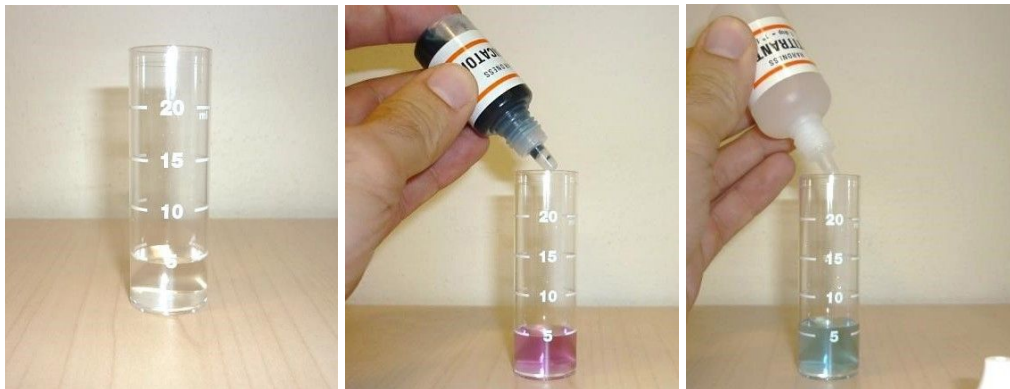


Fig. B

2.9 Water hardness measurement

Use the kit supplied with the dishwasher to measure the inlet water hardness:

- Take 5 ml of water in the cup provided for this purpose
- Pour into the water sampled 1 drop of indicator (blue bottle)
- Add the titrated solution (clear bottle) drop by drop and shake the test tube after each drop, counting the number of drops necessary for the water to turn a clear azure blue color. Each drop poured corresponds to 1°f
- The total number of drops counted corresponds to the hardness of the water tested. This value must then be entered in the dishwasher menu as explained below.



2.9.1 Setting the electronic dishwasher

During the first installation, as soon as the dishwasher is powered up, it is necessary to enter certain parameters:

- Language selection: Select the language with the arrows and confirm with the On-Off key
- Inlet water hardness: Use the arrows to configure the hardness measured with the kit (see paragraph 2.9) and confirm with the On-Off button
- Inlet water temperature: Set the inlet water temperature with the arrows and confirm with the On-Off button
- Note: it is enough to confirm a temperature range between 4÷30°C, or between 31÷40°C, or >41°C
- Filling the detergent and rinse aid hoses: when filling the hoses is requested, select YES with the arrows to fill them (see next point) or NO to exit the dishwasher programming
- After inserting the hoses in their respective containers, confirm with the On-Off button. The hoses are filled and it takes about 5 minutes. To cancel the procedure, press and hold the On/Off button.

At the end of the guided procedure, the dishwasher displays "Stand-by"

3 Preparation for using the dishwasher

3.1 Intended uses

The dishwasher is intended and designed for washing dishes in communities.

3.2 Terms of use

The dishwasher can operate under all conditions of use, within a temperature range between +10 and +50°C.

The use is therefore conditioned solely by the presence of the operator.

However, it is not recommended to operate the dishwasher in open environments, such as outdoor locations, improvised shelters, stands and other precarious installations.

3.3 Types of dishes

It is possible to wash:

- for glasswasher models: glasses, coffee cups, flutes, small plates and fruit plates, in compliance with the indications given in the paragraph relating to the Limits of Use (par. 1.8.1 – PART TWO).
- for all other models: all types of crockery within the limits of the dimensions of the basket and limited to crockery for everyday use in compliance with everything indicated in the paragraph relating to the Limits of use (par. 1.8.1 – PART TWO).

3.4 Usage limits

The dishwasher must be used for washing dishes placed flat in the basket, this until completely filled but without overlapping (fig. 11).

Also check that the dishes do not prevent the free rotation of the spray arms.

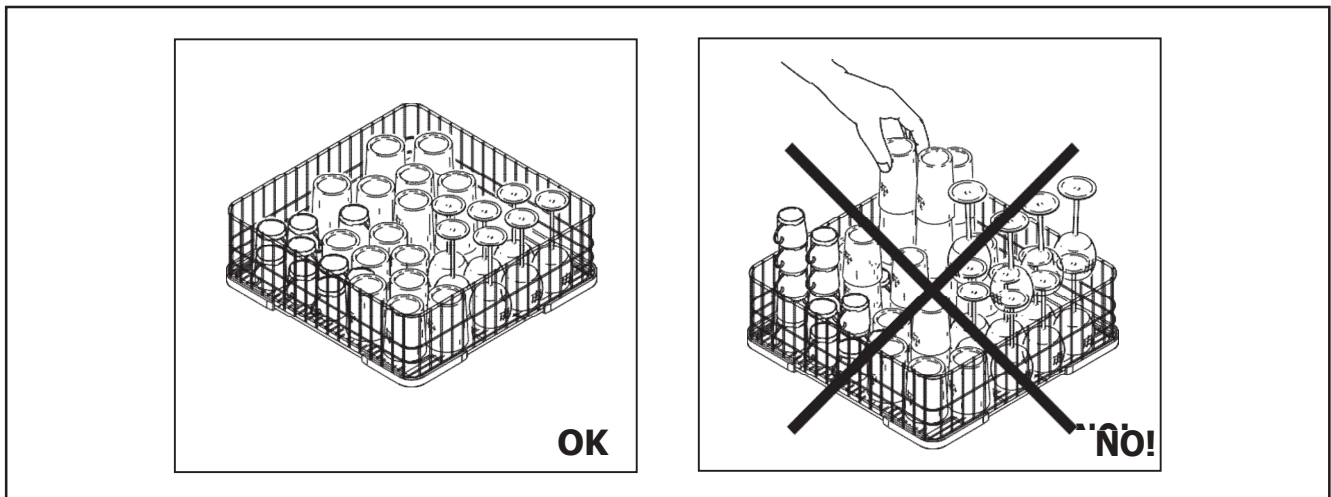


Fig. 11

3.5 Operator

The operator must have experience, even minimal, of appliances for communities, so as to avoid bad maneuvers.

In addition, the ease of the controls and the simplicity of the operations to be carried out to put the dishwasher into operation are such that experience can be acquired in a short time.

The operator must always be aware of the risks (electrocution and burns) due to the operation of any dishwasher.

The operator must be trained in particular in the following cases:

- temporary staff, with little or no experience
- staff with little or no service experience
- staff with language comprehension difficulties
- staff with a physical disability limiting their ability to move.



4 Instructions for using the electronic dishwasher with LCD display

This appliance must only be used by a qualified person and for washing glasses, saucers, cups and small utensils in compliance with the Limits of use (par. 1.8.1 – PART TWO).

4.0 Setting the date and time




The dishwasher has an internal clock and calendar. In the event of a power outage, the configurations are maintained because the electronic board is equipped with a buffer battery. To set the date and time, follow the procedure:


Switch off the dishwasher (Stand-By displayed)

Simultaneously hold down the keys  

The first page that appears is the time configuration page.


Use arrow keys   to change the displayed value.

Push the button  to move to minute setting. Use arrow keys   to change the displayed value.


Push the button  to switch to the day setting.

Use arrow keys   to change the displayed value.

Push the button  to move to the month setting. Use arrow keys   to change the displayed value.

Push the button  to move to the year setting.

Use arrow keys   to change the displayed value.

The rinse button  allows you to return to the previous field.

At the end of the settings, hold down the button  pressed to save the date and exit the menu.

4.1 General function check

Before putting the dishwasher into operation, the user must check the situation by visually checking that the installation is functional.

In particular, the condition of the junction pipes and connections must be periodically checked. electrical (see chap. 2 – PART TWO).

4.2 Security bodies

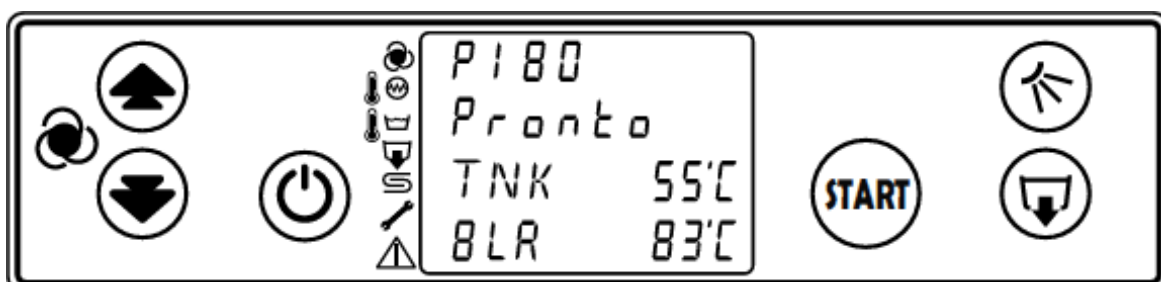
4.2.1 General securities








The dishwasher is completely enclosed with metal panels that cannot be opened only by means of tools.

4.2.2 Red flags

In the event of an anomaly, the display shows an alarm code and a brief description of the type of error observed.

4.2.3 Indicators and signals



CYCLE ACTIVATED Wash cycle activated		REGENERATION Lack of salt or regeneration in progress (only with incorporated softener)	
SUPERHEATER HEATING If heating is in progress, the square flashes, if heating is finished, the square is permanently lit.		REQUIRED MAINTENANCE A review of the dishwasher is necessary	
TANK HEATING If heating is in progress, the square flashes, if heating is finished, the square is permanently lit.		ALARM Presence of anomaly	
DRAIN Drain incourse (only with drain pump installed)			

4.2.4 Blocking devices

The blocking device consists of a micro-switch placed on the door of the dishwasher so that it cannot be changed.

This micro-switch stops the jet of water in the dishwasher but does not cut off the electrical voltage of the machine.

When the door is opened during the wash cycle, the cycle is cancelled.

When the door is closed, it is necessary to restart the cycle.

If the door is opened during tank heating, heating is interrupted.

4.2.5 Adjustable and removable guards and guards

Protectors and removable protections are not used because they are not needed.

4.3 Security measures

The use of the dishwasher implies compliance with certain fundamental rules:

- do not move the dishwasher from its place of origin during operation
 - make sure that the water supply tap is open before starting the machine.
- market
- do not use acids, abrasive sponges or steel brushes for cleaning
 - do not wash the dishwasher with direct or high pressure jets
 - every day, at the end of work, unplug the appliance
 - check the general condition of the dishwasher before using it, in particular the power supply and orders
 - the dishwasher must be clean, if possible without residue from the previous wash. The planned accessories must be present and in working order
 - If the dishwasher, for any reason, is to be left unused, it is recommended that a sign indicating "Out of Service" be placed. If necessary, disconnect the dishwasher from the mains.
 - Always keep the control panel clean and dry
 - if a small object such as a teaspoon falls inside the bowl, it is necessary to empty the tank:
 1. switch off the dishwasher using the ON/OFF BUTTON (see par. 4.6) and unplug it from the electrical network
 2. remove the overflow pipe (fig. 16)
 3. if the dishwasher is fitted with a drain pump, before switching it off, remove the overflow pipe (fig. 16) and start the pump using the DRAIN PUMP BUTTON (see par. 4.6). At the end of draining, the dishwasher switches off. Disconnect it from the electrical network.

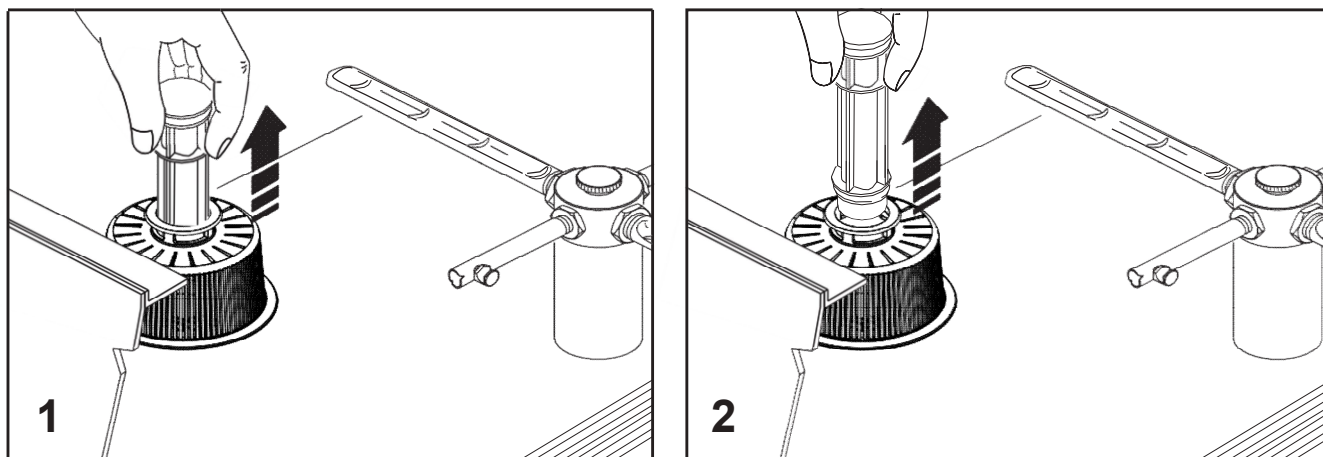


Fig. 16

Wait at least 5 minutes before carrying out the recovery to allow the resistors time to cool.

ATTENTION !



HAZARDBURNS

4.4 No-load test

Before using the dishwasher, it is recommended to carry out an empty wash cycle, in order to have a confirmation that the installation is viable.

4.5 Washing operations

Good dishwashing hygiene requires compliance with certain fundamental rules:

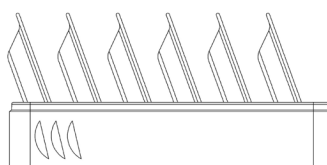
- *remove food remains from cutlery before placing them in the dishwasher for washing (fig. 13)*



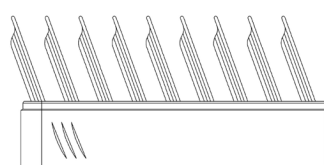
Fig. 13

- *frequently replace the water in the tub depending on the number of washing cycles carried out and, in any case, at least 3 times a day*
- *wipe the washed dishes with a clean cloth*
- *avoid placing washed dishes on terrycloth mats or other materials that retain water*
- *drain pump filter must be clean and correctly positioned.*
- *The overflow must be well placed in its seat*

Take care to place the cutlery in the 500x500 baskets: hollow plates must be placed in the wide grid, while flat plates must be placed in the narrow grid (refer to the indications engraved on the basket). The basket can wash 12 soup plates with a maximum diameter of 26 cm or 18 flat plates with a maximum diameter of 26 cm.



Hollow plates



Plates flat

4.6 Operation of the electronic dishwasher with LCD display

fig. 14 represents the dishwasher control panel and the order references

ORDERS	REF.
WASH TIME SELECTION BUTTON	1
ON/OFF BUTTON	2
CYCLE START BUTTON	3
EXTRA RINSE BUTTON	4
WASH TIME SELECTION BUTTON	5
DRAIN PUMP BUTTON	6
LCD SCREEN	7

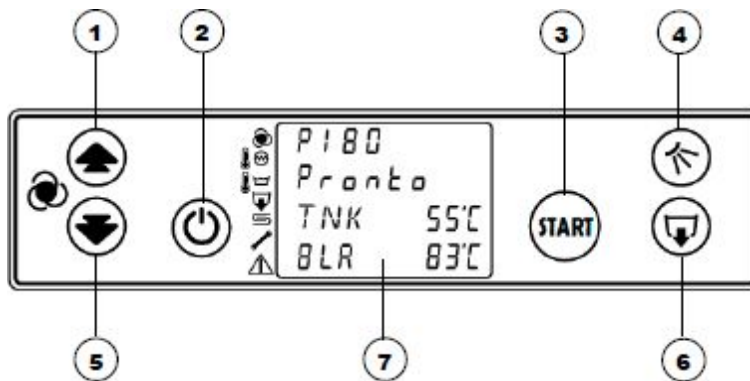


Fig. 14a

SCREEN LINE	DISPLAY DESCRIPTIONS	LCD SCREEN
1	With the dishwasher ready: selected program code During the wash cycle: seconds countdown to end In the event of an anomaly: anomaly code	
2	Dishwasher status, e.g. loading, heating, ready (text may scroll) In the event of an anomaly: description of the anomaly	
3	Tank temperature	
4	Temperaturesuperheater In the event of an anomaly: suggestions for solving the problem.	

Here is the sequence of operations to be carried out for the execution of the wash: some of these operations are automatically performed by the dishwasher.



ATTENTION

PAY ATTENTION TO THE OPENING AND CLOSING MOVEMENT OF THE DOOR/HOOD OF THE WASHINGDISHES.

DO NOT OPERATE DISHWASHER WHILE WEARING CLOTHING/OBJECTS THAT COULD BECOME ENTANGLED IN DISHWASHER COMPONENTS, LIMITING NORMAL ABILITY TO MOVE.

PHASE	TYPE OF DISHWASHER/FIGURE REFERENCES	
	Front Loading Dishwasher	Hood dishwasher
0. Controls initials	<p>Check that the tank is completely empty and clean</p> <p>Check that the wash arms are clean and free to rotate</p> <p>Check that the filter is clean and correctly inserted</p> <p>Check that the overflow is inserted correctly in its housing</p>	
1. Ignition	<p>Close the dishwasher door. Touch the ON/OFF BUTTON (2), the screen lights up displaying STAND-BY. Touch the ON/OFF (2), the dishwasher turns on</p>	<p>Close the dishwasher hood and push the handle down. Touch the ON/OFF BUTTON (2), the screen lights up displaying STAND-BY. Touch the ON/OFF (2), the dishwasher turns on</p>
2. Loadingsome water	<p>The filling of the washing tank up to the maximum level of the overflow pipe is done automatically.</p>	
3. Water heating	<p>The washing water is heated automatically.</p> <p>The screen displays the respective temperatures of the tank and the superheater. Next to the screen, the boxes corresponding to BOOSTER HEATING (first) and TANK HEATING (then) start flashing. Heating is complete when the flashing icons disappear from the screen.</p> <p>Before starting the wash, it is necessary that the display shows the message "READY". This message is displayed only when the minimum temperatures set by the installer are reached.</p>	
4. Dosage of detergents and rinse aids	<p>All dishwashers are equipped with automatic controls for the dosage of detergent and rinse aid, the settings are made by the installer at the time of installation.</p> <p>Both detergent and rinse aid are automatically dosed at the end of tank loading and at the end of each wash cycle.</p>	
5. Selection washing time	<p>With the WASHING TIME SELECTION BUTTONS (1) or (5) it is possible to scroll through the 4 wash cycles available.</p> <p>The wash cycles are identified by a code that appears on the display in the first line at the top. The code is made up of a letter which identifies the type of dishes to be washed, followed by numbers which correspond to the duration of the cycle expressed in seconds.</p> <p>The acronyms present are the following :</p> <p>G (Glass): Glasses</p> <p>C (Cup): Coffee cups</p> <p>D (Dish): Plates</p> <p>P (Pot): Pans</p> <p>T (Trays): Oven dishes</p> <p>F (Flatware): Cutlery</p> <p>See the bottom of this table for the list of wash cycles available depending on the dishwasher model.</p>	

PHASE	TYPE OF DISHWASHER/FIGURE REFERENCES	
6. Washing	<p>Open the door, enter the basket with the dishes (making sure that the arrangement of the Covered corresponds to what is described in par. 3.4 – SECOND PART), close the door and press the HIT STARTUP CYCLE (3) to start the phase of washing: the box corresponding to the CYCLE ENABLED lights up.</p> <p>At the end of the washing cycle, the display starts flashing until the basket is removed.</p>	<p>Lift the hood, insert the basket with the crockery (ensuring that the layout of the cutlery corresponds to what is described in para. 3.4 – PART TWO).</p> <p>Lower the hood and push the handle down. the washing cycle starts automatically and the box corresponding to CYCLE ENABLED lights up.</p> <p>At the end of the washing cycle, the display starts flashing until the basket is removed.</p>
7. Extra rinse	<p>if you want to perform an extra rinse, touch the ADDITIONAL RINSE BUTTON (4) to start a 15 sec rinse cycle.</p> <p>NB the additional rinsing program is only available if the boiler has reached working temperature. Otherwise, it is not possible to start the cycle.</p>	
8. Unloading the dishes	<p>Open the door to remove the basket containing the dishes.</p> <p>To remove any mist from dishes:</p> <ol style="list-style-type: none"> 1. reintroduce the basket with the dishes 2. close the door 3. perform a second rinse by pressing the BUTTON EXTRA RINSE (4) 	<p>Lift the hood to remove the basket containing the dishes.</p> <p>To remove any mist from dishes:</p> <ol style="list-style-type: none"> 1. reintroduce the basket with the dishes 2. close the hood 3. perform a second rinse by pressing the BUTTON EXTRA RINSE (4)

We list below the programs present by type of dishwasher; the programs differ in duration, dosages and temperatures:

Glasswasher basket of 350

- G75 (short cycle for 75 sec. glasses)
- G90 (cycle for 90 sec. glasses)
- C110 (cycle for coffee cups 110 sec.)
- C130 (intensive cycle for coffee cups 130 sec.)

Glasswasher basket of 400

- G75 (short cycle for 75 sec. glasses)
- G90 (cycle for 90 sec. glasses)
- C110 (cycle for coffee cups 110 sec.)
- C130 (intensive cycle for coffee cups 130 sec.)

Clean water glasswasher basket of 400

- G90 (cycle for glasses 90 sec.)
- C90 (short cycle for coffee cups 90 sec.)
- C110 (cycle for coffee cups 110 sec.)
- C130 (intensive cycle for coffee cups 130 sec.)

Undercounter dishwasher 450-500-600 basket

G90 (cycle for glasses 90 sec.)
 C110 (cycle for coffee cups 110 sec.)
 D120 (cycle for plates 120 sec.) F300
 (cycle for cutlery 300 sec.)

Object washer

D120 (cycle for plates 120 sec.)
 T150 (short cycle for trays 150 sec.)
 P240 (cycle for stoves 240 sec.)
 T540 (cycle for oven dishes 540 sec.)

Hood dishwasher (60-90-120-300 sec.)

D90 (short cycle for plates 60 sec.) D90
 (cycle for plates 90 sec.)
 D120 (cycle for plates and covered 120 sec.)
 F300 (cycle for cutlery 300 sec.)

4.6.1 Energy Saving

After 30 minutes of inactivity, the dishwasher goes into Energy Saving mode by lowering the temperature of the tank to 40°C and of the superheater to 60°C. In this way, maintaining temperatures lower than working temperatures saves energy.

To exit the Energy Saving state, simply press any which key or to open and close the door.

It is possible to set the waiting time before the dishwasher goes into Energy mode Saving, contact an authorized service center to modify the configuration.

4.7 End of work

Daily, after use:

If the drain pump is not installed on the dishwasher

1. Open the door and remove the overflow pipe then close the door.
2. Briefly press the ON/OFF BUTTON (2) to switch off the dishwasher (the display will show the message asking to remove the overflow)
3. After a few seconds, a self-cleaning cycle of approximately 2 minutes begins to rinse the tank and cool the boiler.
4. At the end of the self-cleaning cycle, the dishwasher turns off
5. If you wish to switch off the dishwasher without carrying out the self-cleaning cycle, press hold down the ON/OFF BUTTON

If the drain pump is installed on the dishwasher

1. Open the door and remove the overflow pipe then close the door.
2. Press and hold the DRAIN PUMP BUTTON (6) until the emptying and self-cleaning cycle of the tank starts. The self-cleaning cycle starts automatically as soon as the tank is empty. This cycle lasts about 2 minutes and is used to rinse the tank and cool the boiler.
3. At the end of the self-cleaning cycle, the dishwasher turns off

As soon as the dishwasher is switched off

1. cut off the power supply by turning off the main switch placed upstream of the dishwasher or by unplugging the dishwasher from the electrical network
2. remove and clean the wash pump filter (fig. 17) and any tank filters, if present
3. carefully clean the washing tank
4. check and, if necessary, dismantle and clean the washing and rinsing hoses
5. reassemble all the parts in their place by proceeding in reverse order

6. leave the door/hood open throughout the resting time (NB if the power supply is not cut off and the door is open, the display shows the message "ATTENTION HOT STEAM" to indicate that the The bowl is hot and indicates the presence of hot steam. The message disappears as soon as the bowl has cooled down).

ATTENTION !



DANGER OF INJURY



FALL HAZARD

THE OPEN DOOR OF THE DISHWASHER CAN CONSTITUTE AN OBSTACLE TO THE PASSAGE OF PEOPLE AND OBJECTS NEAR THE DISHWASHER.

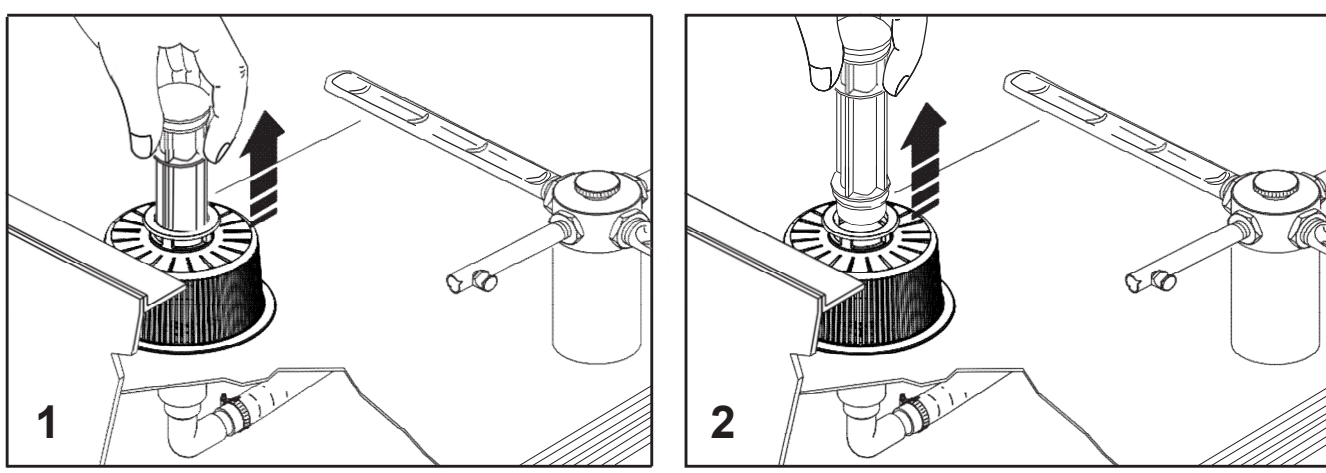


Fig. 16

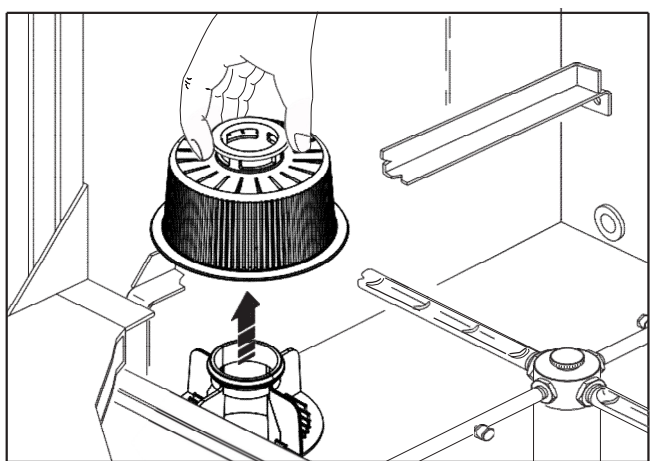


Fig. 17

4.8 Thermostop

The dishwasher is equipped as standard with the thermostop function which guarantees the start of the washing cycle only if the temperature of the water in the tub has reached the set minimum (Thermostop of the tub) and activates rinsing only if the boiler has reached the set minimum temperature (Boiler Thermostop).

At the end of the wash cycle and before starting the rinse, the boiler temperature must be checked:

If the temperature is above the minimum value, the cycle continues normally with rinsing. If the temperature is below the minimum value, the wash cycle is extended until the minimum temperature is reached.

ATTENTION !**DANGER OF INJURY****DISHWASHER DAMAGE HAZARD**

Dismantling must be carried out by specialized and certified personnel.

It is therefore advisable to take the dishwasher to the authorized dealer, if the dishwasher has to be dismantled.

dishes totally or partially.



6 Interview**ATTENTION !****DANGER OF INJURY****HAZARDBURNS**

MAINTENANCE ACTIVITIES MUST BE PERFORMED EXCLUSIVELY WITH THE DISHWASHER OFF AND DISCONNECTED FROM THE ELECTRICAL NETWORK AND WITH THE TANK EMPTY. ALSO, BEFORE CARRYING OUT MAINTENANCE, WAIT UNTIL THE RESISTORS COOL (AT LEAST 5 MINUTES). THE ONLY EXCEPTION TO THESE RULES IS REPRESENTED BY THE CONTROL OF THE OPERATION OF THE MICRO SWITCH (SEE TABLE BELOW).

The following table outlines the dishwasher maintenance activities and the frequency with which they must be carried out.

If intervention is necessary, contact the authorized dealer.

INTERVIEW	FREQUENCY	NOTES
Cleaning of the washing tank	Every day	To be carried out with the utmost care.
Cleaning the rinse arm	Every day	Disassemble the rinsing arm by unscrewing the fixing pawl and pulling it upwards (fig. 18). Wash arm with water. Carry out the same operations for the rinsing arm superior.
Filter cleaning washing pump	Every day	Remove the wash pump filter by pulling it upwards, wash and rinse it (fig. 19).
Cleaning the wash tank filters (if installed)	Every day	Remove the filters from the wash tank by pulling them upwards. up, wash and rinse them

INTERVIEW	FREQUENCY	NOTES
Control of there spin of the wash arm	Every day	Manually check the correct rotation of the arm of rinsing.
Cleaning of the exterior walls	Every 1-2 days	Do not use solvents on the control panel.
Control of micro switch operation	Once a week	Check the operation of the door microswitch when the wash cycle is started, by opening/closing the door or raising/lowering the hood.
Checking the power cable and hydraulic hoses	Every 6 months	 ATTENTION !  DANGER OF ELECTROCUTION DANGER OF INJURY <u>In case of damage to these elements, disconnect the voltage dishwasher without touching the electric cable (bring the switch placed upstream of the machine to the "off" position or completely disconnect the dishwasher from the electrical network).</u> <i>Contact the authorized dealer immediately and have the repair carried out by experienced and qualified personnel.</i> <u>Do not use the dishwasher until the repair has been not been performed.</u>

In addition, periodic technical maintenance is required by a specialized technician, who will issue the verification report:

INTERVIEW	FREQUENCY	NOTES
General visual inspection by the technician who installed the dish-washer	At the time of installation	the technician must issue a report confirming the correct operation of the dishwasher. The report must contain the date of the intervention, the signature of the technician and the signature of the customer/person responsible for the maintenance of the premises.
General visual inspection by the technician who installed the dishwasher. Check the general condition of the internal components, the operation of the dispensers and ensure that there are no liquid leaks from the dispensers or water leaks from the hydraulic circuit, including the pumps. Check the condition of the inlet pipe connections and water drain	6 months after first installation	

INTERVIEW	FREQUENCY	NOTES
<p>Check the operation and wear of all components, replacing them if necessary</p> <p>Checking that the superheater has been cleaned (empty it and check for the presence of limestone)</p> <p>Checking the seal of the superheater resistance</p> <p>Check for any leaks on the washing pump</p> <p>Checking the integrity of the hydraulic circuit</p> <p>Checking the integrity of the water inlet hose</p> <p>Checking the integrity of the drain hose</p> <p>Checking the condition of the water inlet and drain hose connections</p> <p>Checking the tightness of the collars</p> <p>Checking the integrity of the electrical wiring (replace any wires damaged by external/environmental causes)</p> <p>Checking the integrity of temperature probes and the correct temperature reading</p> <p>Checking all the electrical connections (faston, terminal block, electrical resistance terminals)</p> <p>Checking that all the wires are correctly tightened in the remote control terminals if provided (three-phase models)</p> <p>Checking the electric cable, the plug and/or the board connections</p> <p>Checking the integrity and cleaning of the hatch of air</p> <p>Check that the pressure switch is working correctly</p> <p>Check that the solenoid valve is working correctly</p> <p>Clean the solenoid valve filter</p> <p>Replace the detergent and shine product dispenser tubes even if the machine has been working partially in the last 12 months.</p> <p>Replacement of the carbon graphite bushings of the rotors to always ensure correct rinsing</p> <p>Perform all scheduled checks every 12 months</p>	<p>Every 12 months</p>	<p>The technician when checking and/or replacing components (which must be done with original spare parts), will have to perform the repairs required if he detects other anomalies. If the dishwasher cannot be repaired immediately, it should be left unused and an "out of service" sign should be displayed.</p> <p>Upon completion of inspections/repairs, the technician should issue a report confirming that the dishwasher is working properly.</p> <p>The report must contain the date of the intervention, the signature of the technician and the signature of the customer/responsible for the maintenance of the premises.</p>
<p>and in addition:</p> <p>Replacement of the following components with original parts:</p> <p>Wash pump seals</p> <p>Water inlet pipe</p> <p>Water drain pipe</p> <p>Seal of the superheater resistance</p> <p>Tank pressure switch (and superheater if provided)</p> <p>Solenoid valves</p>	<p>Every 24 months</p>	<p>Follow the indications reported in the notes of the 12 months</p>

Failure to comply with the above checks and the absence of reports from the technician invalidates the product warranty. The Manufacturer is not liable for malfunctions and/or damage caused by negligence or non-compliance with the periodic maintenance rules reported in this use and maintenance manual.

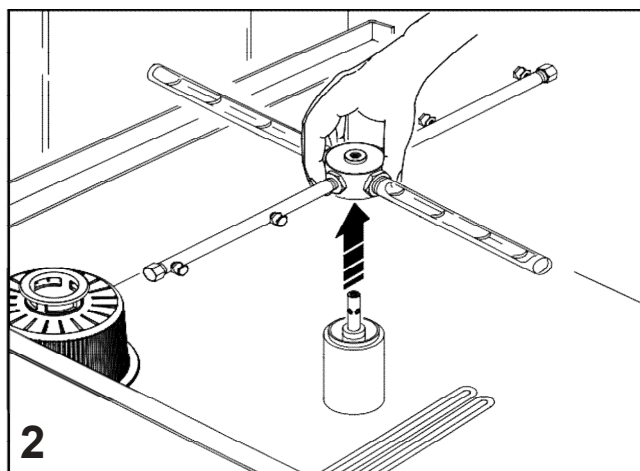
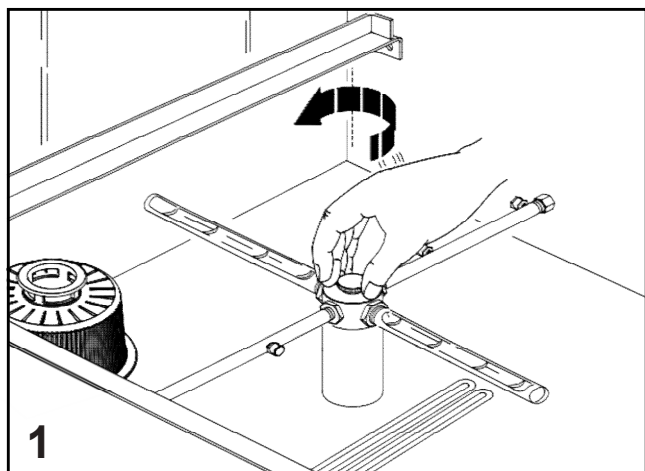


Fig. 18

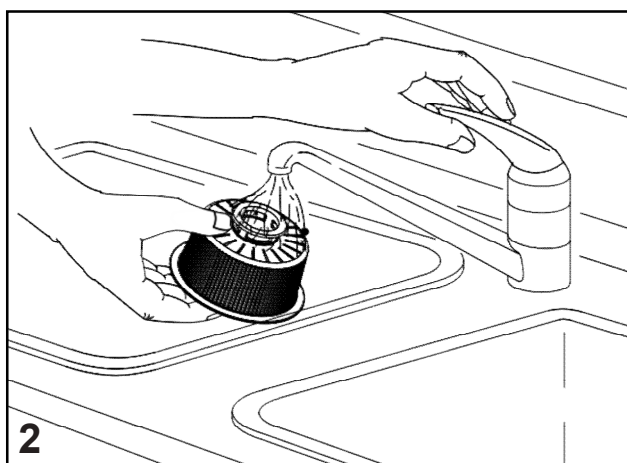
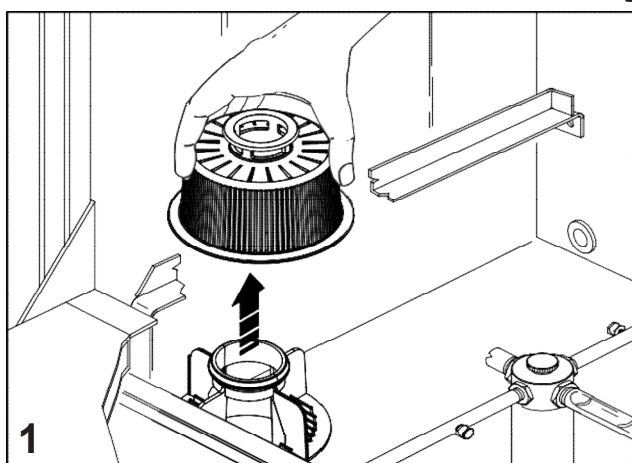


Fig. 19

6.1 LCD screen maintenance

To clean the dishwasher screen, use a soft, damp cloth.

While cleaning the screen, do not spray with water and do not use detergents, products or chemical substances containing alcohol or solvents which could damage the membrane of the screen or the surface of the screen. touch screen and lead to their detachment.

Be sure to dry off excess water on the screen.

Do not use abrasive sponges or abrasive or pointed objects which could scratch the screen irreversibly or puncture the membrane. Damage of this type is not covered by the guarantee.

6.2 Device maintenance

Ordinary maintenance activities must be carried out safely by wearing protective gloves and goggles. Maintenance activities must be carried out exclusively with the dishwasher switched off and disconnected from the mains and with the tub empty. Before performing maintenance, wait for the resistors to cool down (at least 5 minutes).

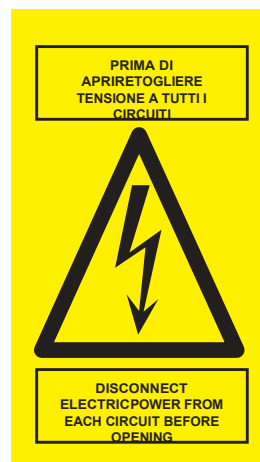
To clean the exterior walls of the dishwasher, use only a specific neutral detergent for steel and a soft, non-abrasive cloth. Warning: the degree of protection of the dishwasher is IPx1, so it is absolutely forbidden to use direct jets of water to clean any component of the dishwasher. Furthermore, it is forbidden to wash the floors, walls or any other object installed near the dishwasher with water jets or high-pressure cleaners. During normal maintenance and floor cleaning, avoid excessive wetting of the dishwasher base. Avoid leaving standing water near the dishwasher. For cleaning steel, do not use bleach, products containing chlorine or other substances that can attack the steel. Do not use steel wool or other metallic instruments which could irreversibly scratch the steel and the other components of the dishwasher.

NB The manufacturer declines all responsibility in the event of accidents for persons or goods deriving from non-compliance with the standards mentioned above.

7 Residual hazards

The residual danger is represented by the alternating current supply voltage.

The warnings placed on the dishwasher indicate and signal this danger in the appropriate places by a symbol conforming to the Standards shown opposite.



8 Instructions for emergency situations



ATTENTION

Emergency situations that may arise during the use of the dishwasher are due to:

- *a loss of insulation*
- *electrocution*

In all cases of malfunction or non-operation, in which emergency situations may arise, the voltage to the dishwasher must be cut off by acting on the main switch placed upstream of the appliance in order to interrupt the power supply.


In the event of electrocution, the appropriate precautions suggested by the safety standards must be taken, which include not touching the injured person, but cutting off the current by acting on the main switch located upstream of the device.

In all cases of malfunctioning or non-operation, in which the emergency situations described above may arise, avoid using the dishwasher and have it examined and repaired by specialized and certified personnel.


9 Problem resolution

Before leaving the factory, each device has been tested by specialized personnel, so as to give the best operating results.

If the device malfunctions, first check whether the problem can be eliminated by according to the following instructions.

ISSUE	POSSIBLE CAUSE	SOLUTION
0. The dishwasher does not light	The switch upstream of the dishwasher is in the "off" position	Turn the switch upstream of the dishwasher to the "on" position
	The power plug or cable are damaged  ATTENTION ! DANGER OF ELECTROCUTION	In the event of damage to these elements, cut off the voltage to the dishwasher without touching the electric cable (bring the switch placed upstream of the dishwasher in the "off" position or unplug completely THE dishwasher of electrical network). Contact the authorized dealer immediately and have the repair carried out by experienced and qualified personnel. Do not use the dishwasher until repaired.
	The touch screen does not respond to commands	Clean and/or dry the screen and make sure the door is closed
1. The dishwasher does not perform the water loading phase	Absence of electrical energy	Wait for electrical power to be restored
	Dishwasher door/hood not properly closed	Open the water supply tap
	Supply tap filter waterlogged	Clean the supply valve filter some water
	Supply valve closed	Open the supply tap
	Upstream softener in regeneration phase	Wait for regeneration to end
2. Acting on the START CYCLE BUTTON, the cycle does not start	Dishwasher door/hood not properly closed	Close the door/cover of the dishwasher
	The switch upstream of the dishwasher is in the "off" position	turn the switch upstream of the dishwasher to the "on" position
	The START CYCLE BUTTON has not been pressed for the necessary 2 seconds	Press the CYCLE START BUTTON again for at least 2 seconds
	The touch screen does not respond to commands	Clean and/or dry the screen and make sure the door is closed
3. Washing is	The washing pump filter (fig. 19) is engorged	Wash and rinse the wash pump filter (fig. 19)
	The wash arms (fig. 18) bump into protruding washing cutlery from the basket	Arrange the dishes so as to avoid contact with the wash arms, following the instructions of para. 3.4 – SECOND PART

ISSUE	POSSIBLE CAUSE	SOLUTION
4. Insufficient rinsing	water pressure supply pressure is less than 1.5 bar	Contact the installer to install an additional water pressure booster pump feeding
	The supply tap filter water is clogged	Wash Andrinse THE filtered of faucet water supply
	The rinse arm nozzles are clogged	Wash and rinse the rinse arm nozzles
	THE arm of wash/rinse borndon't turn freely	- Arrange the dishes so as to avoid contact with the wash arms, following the instructions given in par. 3.4 - SECOND PART - Wash and rinse the rinse arm
5. Washing produces too much suds	Excess rinse aid produced a lot of suds	Contact the installer to reduce the quantity of rinsing liquid.
	Do previously soak there dishes with unsuitable detergent	Avoid soaking dishes in foaming detergents
6. The armrinse valve does not turn freely	The wash arms (fig. 18) bump into protruding washing cutlery from the basket	Arrange the dishes so as to avoid contact with the wash arms, following the instructions given in par. 3.4 - SECOND PART
	Rinse arm requires cleaning	Wash and rinse the rinse arm
7. Dishwasher won't drain water	The drain hose (fig. 21) is clogged or crushed	Eliminate clogged drain hose
	The drain pump filter (if the machine has one - fig. 21) is clogged	Wash and rinse the pump filter emptying
	The drain pump does not work	Contact the installer to replace the drain pump
	Drain cycle does not start (only with drain pump installed)	Check that the dishwasher door is securely closed and clean the touch screen

ISSUE	POSSIBLE CAUSE	SOLUTION
8. The washing results are not satisfactory	The dishwasher has not completed the heating phase of the water in the tub	Before starting the wash as such, wait until the water in the wash tank has had time to heat up. When the water in the tank has reached the desired temperature, the LIGHT WATER TEMPERATURE lights up
	The water in the tank is excessively dirty	Change the water
	The wash arms (fig. 18) bump into protruding washing cutlery from the basket	Arrange the dishes so as to avoid contact with the wash arms, following the instructions given in par. 3.4 – SECOND PART
	Rinse arm requires cleaning	Wash and rinse the rinse arm
	The rinse arm nozzles are clogged	Wash and rinse the rinse arm nozzles
	There is no detergent	Contact the installer to increase the quantity of rinsing liquid.
9. The washing tub is full of limescale	Excessive inlet water hardness	Contact the installer to install a softener upstream
		<p>Descaling the tank with specific products for industrial dishwashers. Follow the instructions provided by the descaler manufacturer.</p> <p style="text-align: center;">ATTENTION !</p> <p style="text-align: center;"> CAUTION DANGER OF BURNS DUE TO ACIDS</p>
10. Attendance stains brown or grease in the tub after	Tank is dirty with coffee or grease	Increase the number of water replacements per day and contact the installer to increase the amount of detergent.
11. Rust spots in the wash tub	Use of detergent with high chlorine content	Change the type of detergent as indicated in paragraph 11. Remove rust with specific products without scratching the steel surface
	Use of bleach in the tub	Never use bleach. Remove rust with specific products without scratching the steel surface
	Introduction into the tank of dishes previously washed with steel wool	During manual pre-washing, never use steel wool or metal brushes. Remove rust with specific products without scratching the steel surface
	Washing dishes or ironware	Do not wash iron items

9.1. Electronic Dishwasher Warnings and Alarms

While the dishwasher is running, the following warnings may appear on the display. The warning remains displayed even if the machine is switched off and the background lighting remains active.

WARNING	DESCRIPTION OF THE ALARM	CHECKS USER	AT THERE CHARGE OF THE END
Maintenance required	This warning is displayed when the day count expires or when the cycle count expires	Request the intervention of a technician	
Salt required*	This warning appears when the salt level in the softener tank drops. Managed only for machines with built-in softener.	Add the salt to the tank provided for this purpose.	


*When refilling the salt reservoir for the first time, the salt needed warning may not disappear immediately. It is advisable to fill the salt reservoir with lukewarm water to speed up the salt dissolving process. As soon as the salt dissolves, the density of the water changes and allows the float inside the tank to change position and reset the warning.



We indicate below the alarms which can appear on the screen in the event of an anomaly of functioning.

All alarms remain active until they turn off and until the next time the dishwasher is turned on. Some serious alarms put the machine in a "safe" state (total blockage), while others allow normal work to continue, with limited functions.

If, after carrying out the necessary checks and switching the machine off and on again, the alarm returns, contact Technical Support.

WARNING	DESCRIPTION OF THE ALARM	CHECKS USER	AT THERE CHARGE OF THE END
ER01	Tank loading timeout: the tank was not loaded in the expected time	The water network tap does not dispense water. Overflow not inserted or incorrectly inserted. Clogged rinse jets Strangled water loading pipes The upstream softener does not work	
ER02	Timeout of loading of superheater: the booster heater was not charged within the maximum expected time.	The water network tap does not dispense water Strangled water loading pipes The upstream softener does not work	
ER03	Timeout tank heating: the tank was not heated within the maximum time allowed. Tank heating is deactivated	Overflow incorrectly inserted. Whether the issue persists, ask the intervention of a technician	THE issue ask the intervention

ER04	Boiler heating timeout: the boiler has not been heated within the maximum time allowed. Boiler heating is deactivated	Overflow incorrectly inserted. Whether THE issue persists, ask the intervention of a technician
ER05	Open tank probe: the tank temperature probe is not connected or is cut off. The tank heating is switched off	Request the intervention of a technician
ER06	Tank sensor shorted: the tank temperature sensor is short-circuited. Heating of the tank is deactivated	Request the intervention of a technician
ER07	Boiler sensor open: the booster heater temperature sensor is not connected or is cut off. Boiler heating is deactivated	Request the intervention of a technician
ER08	Boiler sensor short-circu-cooked: the booster heater temperature sensor is short-circuited. Boiler heating is deactivated	Request the intervention of a technician
ER09	Tank safety thermostat: the tank's safety thermostat has intervened	Request the intervention of a technician
ER10	Overheating safety thermostat fire: the booster heater safety thermostat has intervened	Request the intervention of a technician
ER11	Thermostop timeout: the boiler did not reach the set temperature during the thermostop phase. Boiler heating is disabled.	Switch the dishwasher off and on again, if the problem persists, request the intervention of a technician
ER12	Drain timeout: the tank pressure switch is not open at the end of the manual drain cycle	Make sure the overflow has been removed from its seat and start another drain cycle. If the alarm persists, request the intervention of a technician.  ATTENTION ! CAUTION DANGER HOT WATER
ER14	Panel not connected: the panel has been disconnected during operation of the dishwasher, therefore it can no longer be controlled by keyboard	Request the intervention of a technician

ER20	<p>Overheating alarm: The screen displays the message "unplug the plug". All dishwasher functions are inhibited and the screen flashes rapidly.</p>	<p>Turn off the dishwasher, empty it and wait for it to cool down. Try performing another fill. If the problem persists, request the intervention of a technician</p> <p style="text-align: center;">ATTENTION !  CAUTION DANGER HOT WATER</p>
ER21	<p>The tank is not empty: at the end of the manual self-cleaning cycle, the tank is still full (only for machines without drain pump)</p>	<p>Make sure the overflow has been removed from its seat and run another self-cleaning cycle.</p> <p style="text-align: center;">ATTENTION !  CAUTION DANGER HOT WATER</p>
ER22	<p>Clock to set: the internal clock is set to the wrong date</p>	<p>Adjust the clock</p>
ER30	<p>Pump thermal protection: uniquely For dishwashers with three-phase pump, the pump has overheated and the thermal protection has intervened</p>	<p>Request the intervention of a technician</p>

10 Staff training

Staff training concerns loading, unloading, preparation for use and use of the dishwasher. All operations are very simple and require normal attention to avoid small accidents.

11 Useful hints

Here are some useful tips for the correct operation of the dishwasher:

- *Check the level of rinse aid and detergent in the external tank, and replace it if necessary (fig.22).*
- *The wash and rinse arms must be equipped with jets and plugs*
- *Use only non-foaming industrial detergent*
- *Use only industrial detergents and rinse aids such as those we supply or of equivalent composition and suitable for dosing through the dosing pumps already installed in the dishwasher*
- *Use the doses of detergent recommended by the manual (par. 4.6 – PART TWO) or by the detergent producer*
- *Do not top up the detergent or rinse aid canisters with new product in order to avoid the crystallization of the product which, when it is sucked up by the dispensers, damages the pipes*
- *Each time the container is changed, clean the hoses. In this regard, before inserting the hoses into the new canisters, place the suction hoses in a basin full of lukewarm water and carry out 2 cycles of empty washing.*
- *THE detergent and rinse aid hoses must be replaced at least once a year or as soon as the message maintenance required is displayed (only for electronic dishwashers)*
- *Make sure that the detergent and rinse aid suction filters are always installed in their respective hoses and that they are clean. Replace them if they are too dirty or clogged with crystallized detergent.*

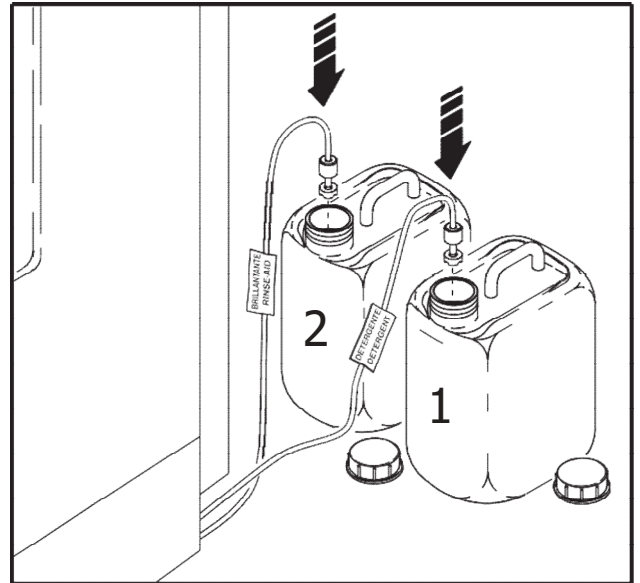


Fig. 22

12 Instructions for disposal

Information on disposal of electrical appliances.

The symbol shown opposite and placed on the electrical device that you have purchased, indicates that this equipment must not be disposed of as ordinary waste but that it must be sorted selectively.

Indeed, the waste of electrical and electronic devices must be the subject of a specific treatment, essential to avoid the dispersion of the pollutants contained inside these devices, in order to protect the environment and human health. In addition, it is possible to reuse/recycle part of the materials of which waste electrical and electronic devices are composed, thus reducing the use of natural resources and the quantity of waste to be recycled.

CAUTION

THE MANUFACTURER COMPANY RESERVES THE RIGHT TO MAKE ANY MODIFICATIONS TO THE PRODUCT THAT IT DEEMS USEFUL OR NECESSARY, WITHOUT HOWEVER COMPROMISING THE ESSENTIAL FEATURES.

THE MANUFACTURING COMPANY DISCLAIMS ANY RESPONSIBILITY IN THE EVENT OF NON-COMPLIANCE WITH THE STANDARDS CONTAINED IN THIS MANUAL.



LAVE-BATTERIES



Version originale

CLB136U - CLB190U

SAS CASSELIN
83 rue Marcel Mérieux 69960 Corbas FRANCE
Tél : +33 (0)4 82 92 60 00 - Mail : contact@casselin.com

LÉGENDE SYMBOLES

MISES EN GARDE

PREMIÈRE PARTIE

- 1. But des informations contenues dans la PREMIÈRE PARTIE**
- 2. Normes de référence**
- 3. Applicabilité**
- 4. Transport**
- 5. Instructions pour le transport, le stockage, le déballage et l'assemblage**
- 6. Identification du lave-vaisselle et marquage**

DEUXIÈME PARTIE

1. But du manuel

- 1.1. Destinataire du manuel**
- 1.2. Utilisation et conservation du manuel**
- 1.3. Durée et validité du manuel**
- 1.4. Demande d'un nouveau manuel ou d'une copie du manuel**
- 1.5. Mise à jour**
- 1.6. Cession**
- 1.7. Conseils des Clients**
- 1.8. Limites de responsabilité**
 - 1.8.1. Limites d'utilisation**
 - 1.8.2. Normes à respecter**
 - 1.8.3. Responsabilité**

2. Installation

- 2.1 Position et mise à niveau**
- 2.2 Branchement électrique**






INSTALLATION ÉLECTRIQUE DU LAVE-VAISSELLE MONOPHASÉ
INSTALLATION ÉLECTRIQUE DU LAVE-VAISSELLE TRIPHASÉ
- 2.3 Mise à la terre**
- 2.4 Branchement au réseau d'eau**
- 2.5 Raccordement à la vidange**
- 2.6 Version avec pompe de vidange**
- 2.7 Installation lessives**
- 2.8 Lave-vaisselle avec adoucisseur incorporé**
- 2.9 Mesure de la dureté de l'eau**
 - 2.9.1 Réglage du lave-vaisselle électronique**

3 Préparation pour l'utilisation du lave-vaisselle


- 3.1 Usages prévus**
- 3.2 Conditions d'utilisation**
- 3.3 Types de vaisselle**

3.4 Limites d'utilisation	22
3.5 Opérateur	22
4 Instructions pour l'utilisation du lave-vaisselle électronique avec écran LCD	22
4.0 Réglage de la date et de l'heure	23
4.1 Contrôle général du fonctionnement	23
4.2 Organes de sécurité	23
4.2.1 Sécurités générales	23
4.2.2 Signaux d'alarme	23
4.2.3 Indicateurs et signalisations	23
4.2.4 Dispositifs de blocage	24
4.2.5 Protecteurs et protections réglables et amovibles	24
4.3 Mesures de sécurité	24
4.4 Essai à vide	25
4.5 Opérations de lavage	25
4.6 Fonctionnement du lave-vaisselle électronique avec écran LCD	26
4.6.1 Energy Saving	29
4.7 Fin du travail	29
4.8 Thermostop	30
5 Instructions pour le démontage	31
6 Entretien	31
6.1 Entretien de l'écran LCD	34
6.2 Entretien de l'appareil	35
7 Dangers résiduels	35
8 Instructions pour les situations d'urgence	35
9 Résolution des problèmes	36
9.1. Avertissements et alarmes du lave-vaisselle électronique	39
10 Formation du personnel	41
11 Indications utiles	41
12 Instructions pour l'élimination	42
MISE EN GARDE	42

LÉGENDE SYMBOLES

SYMBOLE	DESCRIPTION
	ATTENTION - DANGER DE BLESSURE Ce symbole s'applique aux informations et aux mises en garde dont le non-respect peut compromettre la sécurité des personnes ou endommager l'appareil.
	DANGER D'ÉLECTROCUTION Ce symbole s'applique aux informations et aux mises en garde à caractère électrique dont le non-respect peut compromettre la sécurité des personnes ou endommager l'appareil.
	DANGER DE BRÛLURES Ce symbole s'applique aux informations et aux mises en garde à caractère thermique dont le non-respect peut compromettre la sécurité des personnes ou endommager l'appareil.
	DANGER DE CHUTE Ce symbole s'applique aux informations et aux mises en garde se référant aux situations d'utilisation du produit, dans lesquelles un manque d'attention peut compromettre la sécurité des personnes.
	LIRE LES INSTRUCTIONS lire et comprendre intégralement toutes les instructions fournies par le présent manuel. Conserver le manuel dans un lieu facile d'accès pour l'utilisateur du lave-vaisselle, afin qu'il puisse le consulter rapidement et facilement. Ne pas utiliser le lave-vaisselle s'il n'est pas possible de consulter le manuel.

Quelques mises en garde à caractère général

- ▶ Cher client, nous vous informons que le produit acheté est un lave-vaisselle
- ▶ Cet appareil devra être utilisé pour le lavage de verres, de tasses, d'assiettes et similaires avec de la saleté de type alimentaire, dont les résidus doivent être préalablement enlevés, en les faisant tremper sans détergent comme expliqué au chapitre "Instructions pour l'utilisation" du présent manuel. L'utilisation est limitée au lavage de vaisselle pour collectivités. Tout autre usage est strictement interdit. Le lave-vaisselle N'EST PAS conçu pour le lavage de couverts ou d'accessoires en plastique, pour le lavage de verres pouvant exploser en contact avec des liquides bouillants, pour le lavage de biberons et de matériel pour l'enfance, comme des couverts ou des récipients équivalents.
- ▶ Lire intégralement et comprendre le présent manuel avant d'utiliser le lave-vaisselle.
- ▶ Le présent manuel doit être conservé dans un lieu facile d'accès pour l'utilisateur du lave-vaisselle, afin qu'il puisse le consulter rapidement et facilement. En cas de dommage, de destruction ou de perte du manuel, en demander une copie au constructeur (voir le paragr. 1.4 – DEUXIÈME PARTIE).
- ▶ **Ne pas utiliser le lave-vaisselle s'il n'est pas possible de consulter le manuel.**
- ▶ Suivre scrupuleusement les indications du manuel d'utilisation et d'entretien aussi bien pour les opérations d'utilisation que pour les interventions d'entretien.
- ▶ Le lave-vaisselle a été conçu et réalisé conformément à ce que prévoient les Normes CEM EN55014-1:2006+A1:2009+A2:2011 ; EN55014-2:2015 ; EN61000-3-2:2014 ; EN61000-3-3:2013 Safety Electrical EN60335-2-58:2005 (incl. Corr.:2007)+A1:2008+A11:2010 used in conjunction with EN60335-1:2012 ; EN62233:2008 (incl. Corr.:2008)
- ▶ Les émissions sonores de nos lave-vaisselles sont de 74.3dB et la valeur KpA=2,5db
- ▶ Le lave-vaisselle doit être utilisé par du personnel expérimenté.
Le personnel non expérimenté doit être surveillé par un responsable ou par un collègue plus expérimenté jusqu'à ce qu'il soit jugé autonome.
- ▶ Veiller à ce que les enfants ne jouent pas avec l'appareil ;
- ▶ Cet appareil ne doit pas être utilisé par des personnes (y compris les enfants) dont les capacités physiques, sensorielles ou mentales sont réduites ou par des personnes sans l'expérience ni les connaissances nécessaires, s'ils ne sont pas supervisés par une personne responsable de leur sécurité et qu'ils n'ont pas été formés à l'utilisation de l'appareil.
- ▶ L'utilisation par du personnel non déclaré est interdite.
- ▶ Toujours maintenir propres le lave-vaisselle et son environnement afin de permettre un transit sûr et rapide de l'opérateur et de son équipement. Éviter, dans la mesure du possible, l'accumulation d'objets ou d'autre matériel pouvant empêcher l'accès à la porte.
- ▶ En cas de danger, couper immédiatement la tension au lave-vaisselle en appuyant sur le bouton d'arrêt ou en débranchant le lave-vaisselle du réseau électrique.
- ▶ Le placement, l'installation et la mise en service du lave-vaisselle doivent être effectués par du personnel spécialisé et agréé.
- ▶ Le lave-vaisselle peut fonctionner dans une fourchette de température comprise entre +10 et +50°C.
- ▶ La connexion électrique doit être réalisée conformément aux normes en vigueur dans le pays où la machine est installée.
- ▶ Avant de brancher la machine, s'assurer que le voltage et la fréquence du réseau électrique correspondent à ce qui est indiqué sur la plaque d'identification et que la machine est branchée à un système de mise à la terre efficace ;
- ▶ À l'arrière de la machine, il y a une borne marquée avec le symbole  nécessaire pour à la connexion équipotentielle entre les différents appareils.
- ▶ La machine doit être protégée en amont, contre les surcharges et les courts-circuits par un interrupteur omnipolaire de type magnétothermique, avec un pouvoir de coupure approprié, ou par un sectionneur à coupure en charge et des fusibles du type gL d'une intensité adéquate. Il est nécessaire d'installer contre les contacts indirects, juste après l'interrupteur magnétothermique ou le sectionneur/fusibles, un interrupteur différentiel avec courant d'intervention coordonné avec la valeur de résistance du circuit de mise à la terre de l'utilisateur.
- ▶ La température maximale de l'eau d'alimentation est de 55°C.
- ▶ La pression de l'eau d'alimentation doit respecter les limites indiquées dans les données techniques (200/350 kPa)
- ▶ À la fin du lavage, débrancher le lave-vaisselle s'il ne doit plus être utilisé.
- ▶ Nettoyer le filtre tous les jours.

- ▶ Nettoyer entièrement le lave-vaisselle une fois par semaine au moins.
- ▶ Contrôler quotidiennement l'état du câble d'alimentation, notamment si la prise d'alimentation avec le réseau électrique n'est pas à côté du lave-vaisselle.
- ▶ Le câble d'alimentation fourni avec la machine est de type H07RN-F. Si le câble est endommagé, débrancher le lave-vaisselle du réseau électrique et faire rapidement appel à un centre d'assistance agréé pour le remplacement du câble.
- ▶ Placer le câble d'alimentation d'une manière appropriée, en évitant les situations où il pourrait être endommagé (éviter de piétiner de manière répétée le câble, éviter de le faire passer sous les portes, etc.).
- ▶ Effectuer l'entretien régulier, comme indiqué dans le manuel d'utilisation et d'entretien.
- ▶ Les activités d'entretien doivent être effectuées exclusivement avec le lave-vaisselle arrêté et débranché du réseau électrique et avec la cuve vide.
- ▶ Avant d'effectuer l'entretien, attendre le temps de refroidissement des résistances (au moins 5 minutes). Ne pas ouvrir la porte/capot du lave-vaisselle si le cycle est en cours. Comme dispositif de verrouillage, nous avons utilisé un micro-interrupteur, placé sur la porte du lave-vaisselle, qui arrête le jet d'eau dans le lave-vaisselle, mais il ne coupe pas la tension électrique de la machine.
- ▶ Les activités d'entretien ordinaire doivent être effectuées en sécurité en portant des gants et des lunettes de protection.
- ▶ Ne jamais utiliser l'appareil avec les mains ou les pieds mouillés
- ▶ Ne jamais plonger les mains nues dans l'eau de la cuve
- ▶ Les interventions d'entretien extraordinaire, de réparation, de remplacement de composants, doivent être effectuées par du personnel spécialisé et agréé. Utiliser exclusivement des pièces de rechange originales. Le constructeur décline toute responsabilité en cas d'accidents pour les personnes ou les biens dérivant de l'utilisation de pièces de rechange non compatibles et/ou non originales
- ▶ Le degré de protection de la machine est IPX1, cela veut dire qu'elle ne doit pas être lavée avec des jets d'eau à haute pression ni avec des lances à vapeur.
- ▶ Il est interdit d'utiliser le lave-vaisselle avec des lessives ou des liquides de rinçage différents de ceux conseillés (comme de la poudre pour la vaisselle, de la poudre pour machines à laver le linge ou des liquides de rinçage spécifiques aux machines à laver la vaisselle domestiques), ou bien avec des anti-calcaires corrosifs, des acides et en général des liquides ou des poudres de nettoyage non adaptés. Ne pas ajouter d'eau de javel dans la cuve de lavage.
- ▶ Utiliser uniquement des lessives et des liquides de rinçage industriels comme ceux que nous fournissons ou de composition équivalente et adaptée pour être dosée par le biais des pompes de dosage déjà installées dans le lave-vaisselle.
- ▶ Ne pas utiliser de paille de fer ni de brosses en fer pour nettoyer le lave-vaisselle
- ▶ Ne pas utiliser l'appareil comme support surélevé, ne pas monter sur la porte ni sur le lave-vaisselle afin d'éviter qu'il se retourne.
- ▶ Les lave-vaisselle avec panier carré 350x350, 400x400 et les lave-vaisselle avec panier rond Ø350 et Ø400 ne sont pas adaptés pour le lavage d'assiettes.

N.B. Le constructeur décline toute responsabilité en cas d'accidents pour les personnes ou les biens dérivant du non-respect des normes citées ci-dessus, ou d'une utilisation, d'un entretien ou d'une réparation non-conforme.



DANGER D'ÉLECTROCUTION

PREMIÈRE PARTIE

1. But des informations contenues dans la PREMIÈRE PARTIE

Le but des informations fournies dans la PREMIÈRE PARTIE est de faire connaître au Client les données nécessaires pour une bonne identification du lave-vaisselle.

2. Normes de référence

Le lave-vaisselle a été conçu et réalisé conformément à ce que prévoient les Normes CEM EN55014-1:2006+A1:2009+A2:2011 ; EN55014-2:2015 ; EN61000-3-2:2014 ; EN61000-3-3:2013 Safety Electrical EN60335-2-58:2005 (incl. Corr.:2007)+A1:2008+A11:2010 used in conjunction with EN60335-1:2012 ; EN62233:2008 (incl. Corr.:2008)

Par ailleurs, il est conforme aux Normes de Sécurité et de la Prévention des Accidents de Travail en vigueur à cette date.

Il est recommandé de brancher le lave-vaisselle en utilisant un différentiel adéquat selon la réglementation CEI 947 (coordination de type 1) les émissions sonores de nos lave-vaisselle sont de 74,3 dB et la valeur est $KpA=2,5$ db

3. Applicabilité

Les instructions contenues dans le présent manuel sont uniquement applicables au type de lave-vaisselle indiqué.

4. Transport

Pour le transport, la machine est protégée par un emballage en carton solide (fig. 1).

Le poids du lave-vaisselle peut varier de 50 à 170 kg s'il est emballé sur palette, en fonction du modèle.

ATTENTION !



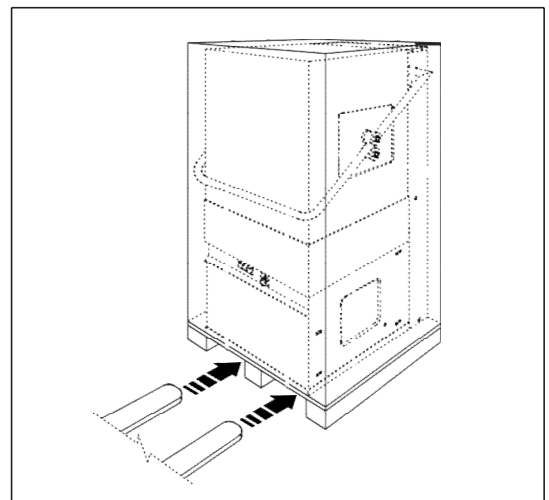
DANGER DE BLESSURES

L'UTILISATION D'ÉQUIPEMENTS ET DE PROCÉDURES OPÉRATIONNELLES QUI NE SONT PAS ADAPTÉS POUR LE CHARGEMENT, LE DÉCHARGEMENT ET LA MANUTENTION DU LAVE-VAISSELLE, PEUT CAUSER DES DOMMAGES AU PERSONNEL CHARGÉ DE CES OPÉRATIONS ET/OU À LA MACHINE.

LE CONSTRUCTEUR RECOMMANDE LE RESPECT DES NORMES RELATIVES AUX MODALITÉS DE CHARGEMENT, DE DÉCHARGEMENT ET DE MANUTENTION, EN VIGUEUR DANS LE PAYS D'UTILISATION DU LAVE-VAISSELLE.

LE CONSTRUCTEUR DÉCLINE TOUTE RESPONSABILITÉ POUR LES DOMMAGES CAUSÉS AUX BIENS ET/OU PERSONNES DÉRIVANT DE L'UTILISATION IMPROPRE DES ÉQUIPEMENTS OU DE L'ADOPTION DE PROCÉDURES QUI NE SONT PAS CONFORMES ET/OU APPROPRIÉES POUR LES OPÉRATIONS DE CHARGEMENT, DÉCHARGEMENT ET MANUTENTION DU LAVE-VAISSELLE.

Fig. 1



À l'arrivée du lave-vaisselle, contrôler attentivement les titres de transport et identifier les paquets. En cas de non-conformité entre les documents, les colis livrés et leur contenu, rappeler immédiatement le fournisseur.

Contrôler attentivement l'état de l'emballage : s'il est défectueux, cassé ou qu'il présente des signes de mauvaise manipulation, informer immédiatement le fournisseur.

Conserver les cartons d'emballage pour pouvoir les utiliser en cas de besoin pour l'expédition au fournisseur.

5. Instructions pour le transport, le stockage, le déballage et l'assemblage

5.1 Transport

Tous les lave-vaisselles sont emballés sur palette dans un carton agrafé à la palette. Le lave-vaisselle doit obligatoirement être manutentionné avec un chariot élévateur ou un transpalette en prenant soin de maintenir le lave-vaisselle en équilibre et en évitant les mouvements brusques. Ne pas coucher le lave-vaisselle, respecter la position verticale comme indiqué par la flèche imprimée sur le carton.

5.2 Stockage

Si le lave-vaisselle doit être stocké, s'assurer que la température de l'environnement de stockage soit compris entre +5 et +45 °C avec une humidité inférieure à 80%. Le lave-vaisselle doit être emballé dans son emballage d'origine (palette et carton) et en position verticale comme indiqué par la flèche imprimée sur le carton. La palette peut être placée au sol sur un plancher sec et sans poussière, ou bien sur un porte-palette à condition que les indications de charge maximale inscrites sur le porte-palette soient respectées et qu'elle soit fixée afin d'éviter les chutes suite à un choc ou à des vibrations. Il est interdit de superposer d'autre matériel sur le carton du lave-vaisselle.

Contrôler périodiquement la bonne position du lave-vaisselle emballé et l'intégrité des emballages.

5.3 déballage et assemblage

ATTENTION !



DANGER DE BLESSURES

FAIRE PARTICULIÈREMENT ATTENTION À L'ÉQUILIBRE PRÉCAIRE DU LAVE-VAISSELLE PENDANT LES PHASES DE DÉBALLAGE/ASSEMBLAGE.

Les instructions pour le déballage et l'assemblage ne sont valables que si l'installation est directement effectuée par le client.

1. Ouvrir avec précaution le carton d'emballage (fig. 2).

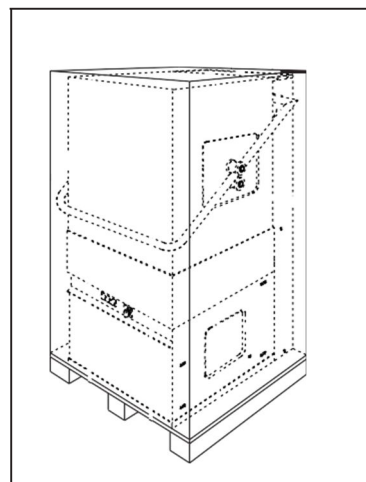


Fig. 2

2. Enlever les deux vis A qui fixent le lave-vaisselle à la palette de transport (fig. 3)

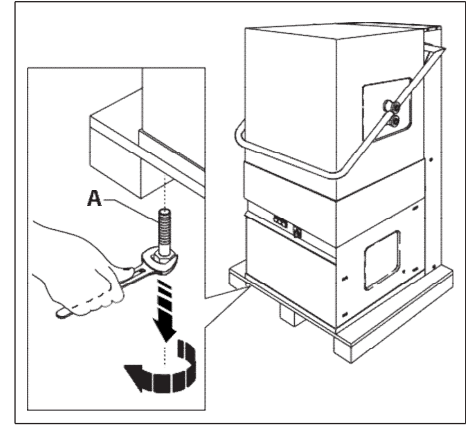


Fig. 3

3. Faire glisser la machine sur la palette jusqu'à libérer deux des quatre trous présents pour y insérer les pieds d'appui (fig. 4).
Prendre un des pieds fournis et visser la vis dans l'un des deux sièges libérés (fig. 4).
Effectuer le montage du deuxième pied en suivant la même procédure (fig. 4).

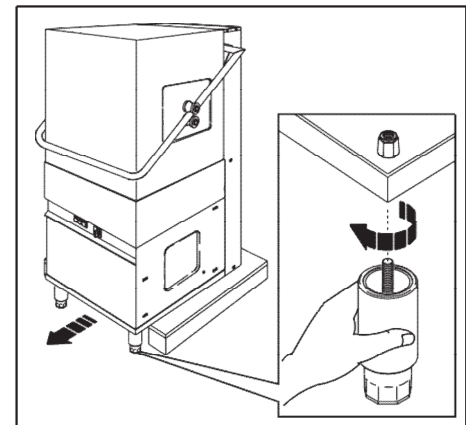


Fig. 4

4. Tirer la machine jusqu'à ce qu'elle soit appuyée d'un côté sur les pieds d'appuis montés et sur la palette de l'autre, de manière à libérer les deux autres trous, puis monter les deux derniers pieds selon la même procédure.

6. Identification du lave-vaisselle et marquage

Le lave-vaisselle est identifié par :

- La raison sociale
- Le marquage CE
- L'indication du modèle et du numéro de série
- L'année de fabrication
- Le certificat d'essai

Ces données sont reportées sur l'étiquette qui accompagne le lave-vaisselle (fig. 5) et sont répétées sur la déclaration de conformité en annexe.

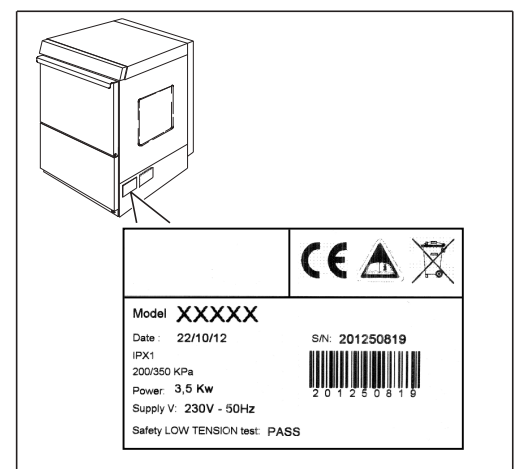


Fig. 5

1. But du manuel

Le but du présent manuel d'utilisation et d'entretien est de décrire les mesures de sécurité, indispensables pour l'utilisateur, à respecter lorsqu'on utilise le lave-vaisselle.

Ce manuel d'utilisation et d'entretien fait partie intégrante du lave-vaisselle.

On entend par utilisateur, non seulement l'acquéreur du lave-vaisselle, mais tout le personnel concerné par sa gestion, son fonctionnement, son entretien et son contrôle.

Les informations contenues dans le présent manuel concernent les opérations d'installation, de mise en service, d'utilisation et d'entretien.

1.1. Destinataire du manuel

Le manuel est destiné à l'utilisateur du lave-vaisselle et à celui qui effectue l'entretien.

1.2. Utilisation et conservation du manuel

Le présent manuel est conçu pour donner les informations nécessaires à un usage correct du lave-vaisselle et à l'entretien, conformément aux normes de sécurité introduites par la Directive Machines et les Normes harmonisées.

Pour cette raison, et même si l'utilisation du lave-vaisselle est très simple, il est nécessaire de conserver le manuel intact et facilement accessible en cas de besoin : il doit rester si possible à proximité du lieu d'utilisation, et il doit rester propre, lisible et en bon état.

1.3. Durée et validité du manuel

Le présent manuel est valable pendant toute la vie du lave-vaisselle.

Il a été rédigé en tenant compte de l'état de la technique et de l'art au moment de la fabrication du lave-vaisselle.

Il se réfère donc au lave-vaisselle avec lequel il a été fourni et doit être considéré comme valable même après des mises à jour ultérieures.

1.4. Demande d'un nouveau manuel ou d'une copie du manuel

Demander expressément au Constructeur l'envoi d'une seconde copie, en cas de perte ou de destruction de la copie qui accompagne le lave-vaisselle.

Pour demander une copie du manuel d'utilisation et d'entretien, il faut indiquer le modèle, le numéro de série du lave-vaisselle et l'année de fabrication (fig. 5).

Les copies envoyées sont payantes.

1.5. Mise à jour

Le Constructeur se réserve le droit d'apporter des modifications au lave-vaisselle et/ou de mettre à jour les manuels précédents sans le communiquer, sauf dans les cas exceptionnels.

Le manuel est mis à jour par le Constructeur dans les cas suivants :

- si le lave-vaisselle est envoyé au Constructeur pour effectuer des modifications ou apporter des améliorations
- si le manuel contient des erreurs ou des omissions préjudiciables pour l'utilisation en sécurité du lave-vaisselle.

Dans ces cas, le manuel en possession du client doit être rendu au constructeur, qui s'occupera de le remplacer par une copie mise à jour.

1.6. Cession

En cas de cession ou de vente du lave-vaisselle, le Client doit transmettre au Constructeur l'adresse du nouveau propriétaire et la date de validité du contrat, dans le but de communiquer au nouveau propriétaire les limites de responsabilité.

1.7. Conseils des Clients

Les Clients sont invités à soumettre, dans l'esprit et dans la lettre de la Norme, les suggestions et

les propositions d'amélioration qu'ils estiment opportunes pour améliorer l'utilisation, la lisibilité, la conservation du présent manuel.

Pour effectuer ces communications, contacter le fabricant du lave-vaisselle.

1.8. Limites de responsabilité

N.B. Le constructeur décline toute responsabilité en cas d'accidents pour les personnes ou les biens dérivant du non-respect des normes citées dans le présent manuel, ou d'une utilisation, d'un entretien ou d'une réparation non-conforme.

1.8.1. Limites d'utilisation

Cet appareil doit être destiné exclusivement à l'usage pour lequel il a expressément été conçu, c'est-à-dire le lavage des verres, des tasses et objets similaires qui, avec le panier qui les reçoit, ne dépassent pas l'encombrement maxi de h=200 mm ou 260 mm, suivant les modèles.

Les limites d'utilisation sont données par la place et les dimensions maximales des paniers et des couverts qui peuvent être lavés.

L'utilisation est limitée au lavage de vaisselle pour collectivités.

Le lave-vaisselle N'EST PAS conçu :

- *pour le lavage de vaisselle, verres ou accessoires en plastique*
- *pour le lavage de verre qui peut exploser sous l'effet de liquides bouillants*
- *pour le lavage de biberons et de matériel destiné à l'enfance ou équivalent.*

Les lave-vaisselles avec panier carré 350x350, 400x400 et les lave-vaisselles avec panier rond Ø350 et Ø400 ne sont pas adaptés pour le lavage d'assiettes.

Les lave-vaisselles avec panier 500x600 ne sont pas adaptés pour le lavage des verres.

1.8.2. Normes à respecter

Les Normes à respecter concernent spécifiquement :

- ▶ *la sécurité de l'opérateur*
- ▶ *la sécurité du lave-vaisselle.*

Le Constructeur n'assume aucune responsabilité en cas d'utilisation du lave-vaisselle en dans des situations contraires ou en violation des Normes de sécurité en vigueur dans le Pays d'utilisation, même si elles sont entrées en vigueur pendant ou après l'achat.

1.8.3. Responsabilité

Le fournisseur n'assume aucune responsabilité en cas de dommages aux biens et aux personnes dans les cas suivants :

- *Utilisation non-conforme du lave-vaisselle*

On entend par utilisation non-conforme l'utilisation du lave-vaisselle pour laver des couverts différents de ceux qui sont indiqués au paragraphe sur les limites d'utilisation (paragr. 1.8.1 – DEUXIÈME PARTIE), car cela peut entraîner la rupture des parties rotatives, l'encrassement ou autre, ainsi que la production d'éclats et/ou l'explosion de la vaisselle.

Par usage non-conforme on entend aussi l'utilisation de lessives ou de liquides de rinçage différents de ceux conseillés (comme de la poudre pour la vaisselle, de la poudre pour machines à laver le linge ou des liquides de rinçage spécifiques aux machines à laver la vaisselle domestiques), ou bien l'utilisation d'anti-calcaires corrosifs, d'acides et en général de liquides ou des poudres de nettoyage non adaptés.

- *Utilisation du lave-vaisselle par du personnel non formé*

Le lave-vaisselle devrait être confié à du personnel formé. Le personnel non formé doit être surveillé par un responsable, et ceci jusqu'à ce que la personne acquière de l'assurance dans ses mouvements et dans l'utilisation normale du lave-vaisselle.

- *Utilisation contraire à la norme de sécurité nationale*

L'utilisation par du personnel non déclaré est interdite.

- Installation erronée

Le lave-vaisselle doit être installé correctement, du point de vue mécanique comme électrique, dans des locaux ne rendant pas l'utilisation difficile pour l'opérateur.

Les règles pour une installation conforme, si celle-ci est effectuée par le client, sont indiquées dans le manuel.

- Défauts d'alimentation

Les défauts d'alimentation électrique peuvent causer des pannes de moteur et d'autres éléments électriques du lave-vaisselle.

Le Constructeur n'assume aucune responsabilité en cas de dommage causé par une tension électrique non-conforme aux valeurs indiquées par la réglementation en vigueur en la matière, et plus précisément :

- *Limites minimum de tension : -10% valeur nominale*

- *Limites maximum de tension : 250 V pour tension nominale 220V monophasé et 440V pour tension nominale 380V triphasé.*

- Non-respect de l'entretien recommandé ou prévu (voir chap. 6 – DEUXIÈME PARTIE)

Le non-respect des règles d'entretien ordinaire et préventif peut constituer une cause de panne ou de dysfonctionnement.

- Modifications et interventions non autorisées

Le lave-vaisselle ne doit pas subir de modifications, ni partiellement ni intégralement.

- Utilisation de pièces de rechange non originales ou non spécifiques pour le modèle

Il est conseillé de s'adresser au revendeur agréé pour l'achat des pièces de rechange et dans tous les cas, d'utiliser les pièces de rechange conseillées ou fournies par le Constructeur.

- Non-respect total ou partiel des instructions

ATTENTION !



DANGER D'ÉLECTROCUTION

LIRE ET COMPRENDRE ATTENTIVEMENT LE PRÉSENT MANUEL AVANT D'INSTALLER ET D'UTILISER LE LAVE-VAISSELLE.

L'exploitation du lave-vaisselle dans l'ignorance totale ou partielle des instructions peut mettre en danger le personnel et le lave-vaisselle.

- Événements exceptionnels

En cas d'événements exceptionnels comme des tremblements de terre, des inondations, etc., le Constructeur n'assume aucune responsabilité pour les dommages aux biens et aux personnes dus à l'utilisation du lave-vaisselle dans de telles conditions, ni pour le reconditionnement total ou partiel de celui-ci.

2. Installation

ATTENTION !



DANGER D'ÉLECTROCUTION

L'installation doit être exécutée par du personnel spécialisé et agréé, en respectant les instructions suivantes.

2.1 Position et mise à niveau

Le lave-vaisselle est expédié par le Constructeur déjà monté et avec tous les accessoires et les éléments auxiliaires prévus pour son fonctionnement.

Placer si possible le lave-vaisselle à proximité des points d'alimentation en eau et en électricité. L'appareil doit être placé horizontalement ; pour cela agir sur les quatre pieds réglables (fig. 6).

Si le lave-vaisselle est encastré, les panneaux latéraux et la partie postérieure peuvent adhérer aux meubles et aux parois attenants. Les tuyaux de refoulement et de vidange peuvent être orientés indifféremment vers la droite ou la gauche, mais après la mise en place définitive de l'appareil, il faut s'assurer que les tuyaux ne soient pas coincés ou pliés.

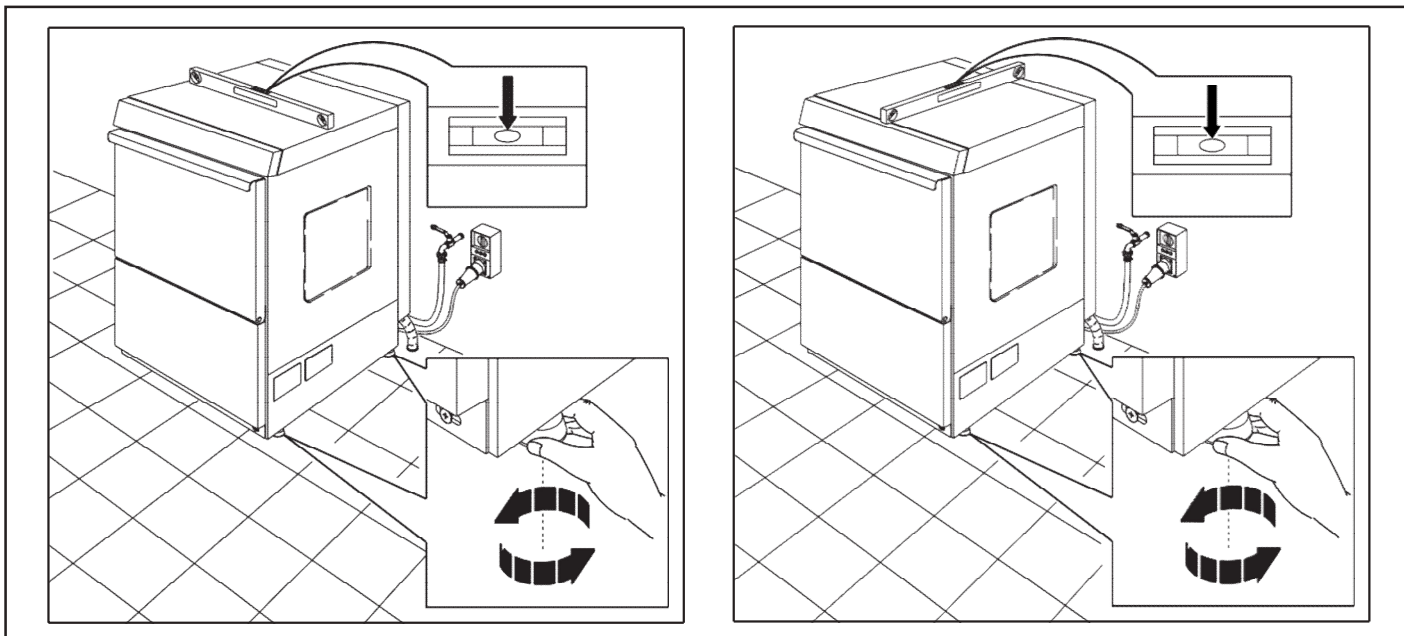


Fig. 6

2.2 Branchement électrique



ATTENTION !

La connexion électrique doit être réalisée conformément aux normes en vigueur dans le pays où la machine est installée.

Avant de brancher la machine, s'assurer que le voltage et la fréquence du réseau électrique correspondent à ce qui est indiqué sur la plaque d'identification et que la machine est branchée à un système de mise à la terre efficace ;

À l'arrière de la machine, il y a une borne marquée avec le symbole  nécessaire pour à la connexion equipotentielle entre les différents appareils.

La machine doit être protégée en amont, contre les surcharges et les courts-circuits par un interrupteur omnipolaire de type magnétothermique, avec un pouvoir de coupure approprié, ou par un sectionneur à coupure en charge et des fusibles du type gL d'une intensité adéquate. Il est nécessaire d'installer contre les contacts indirects, juste après l'interrupteur magnétothermique ou le sectionneur/fusibles, un interrupteur différentiel avec courant d'intervention coordonné avec la valeur de résistance du circuit de mise à la terre de l'utilisateur.

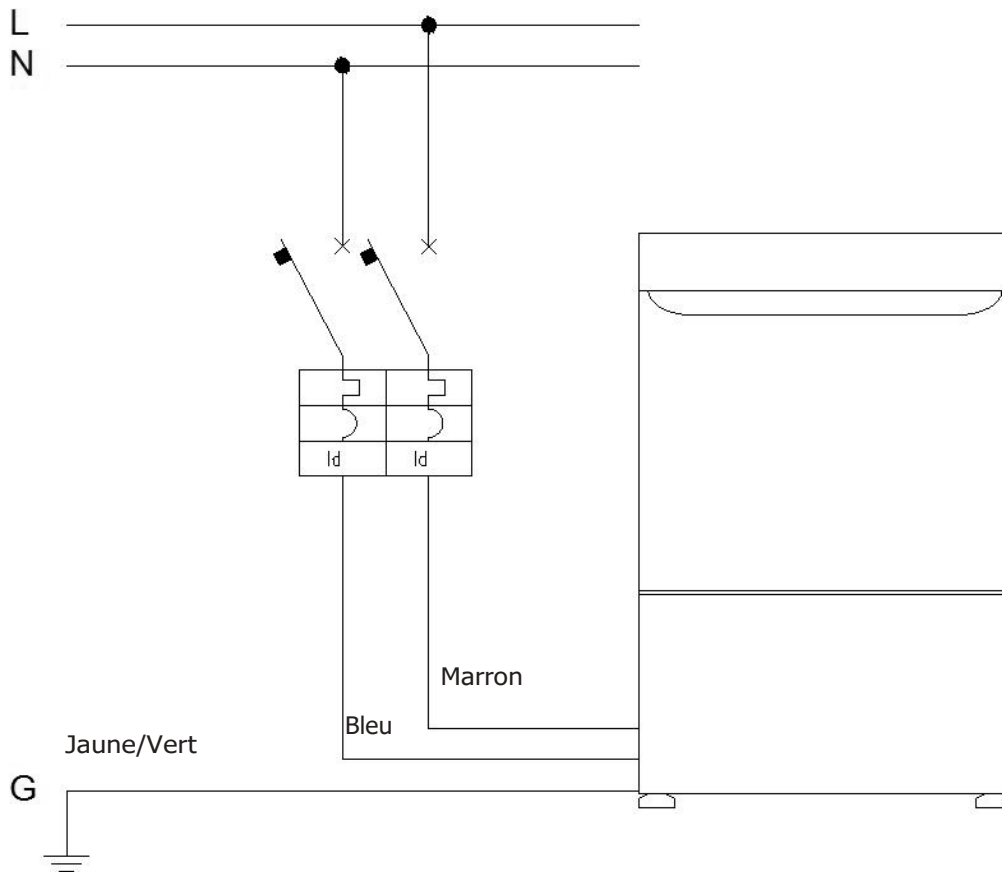
Le câble d'alimentation, fourni avec la machine, est du type H07RN-F.

Lave-vaisselle monophasé avec prise Schuko 230V+T

Si le lave-vaisselle est doté d'une prise schuko, le brancher à la prise murale. Brancher l'appareil au système équipotentiel par le biais de la borne prévue à cet effet à l'arrière du lave-vaisselle.

Lave-vaisselle monophasé sans prise 230V+T

Si le lave-vaisselle n'est pas doté de prise électrique, effectuer le branchement de la manière suivante :



Fil marron : ligne

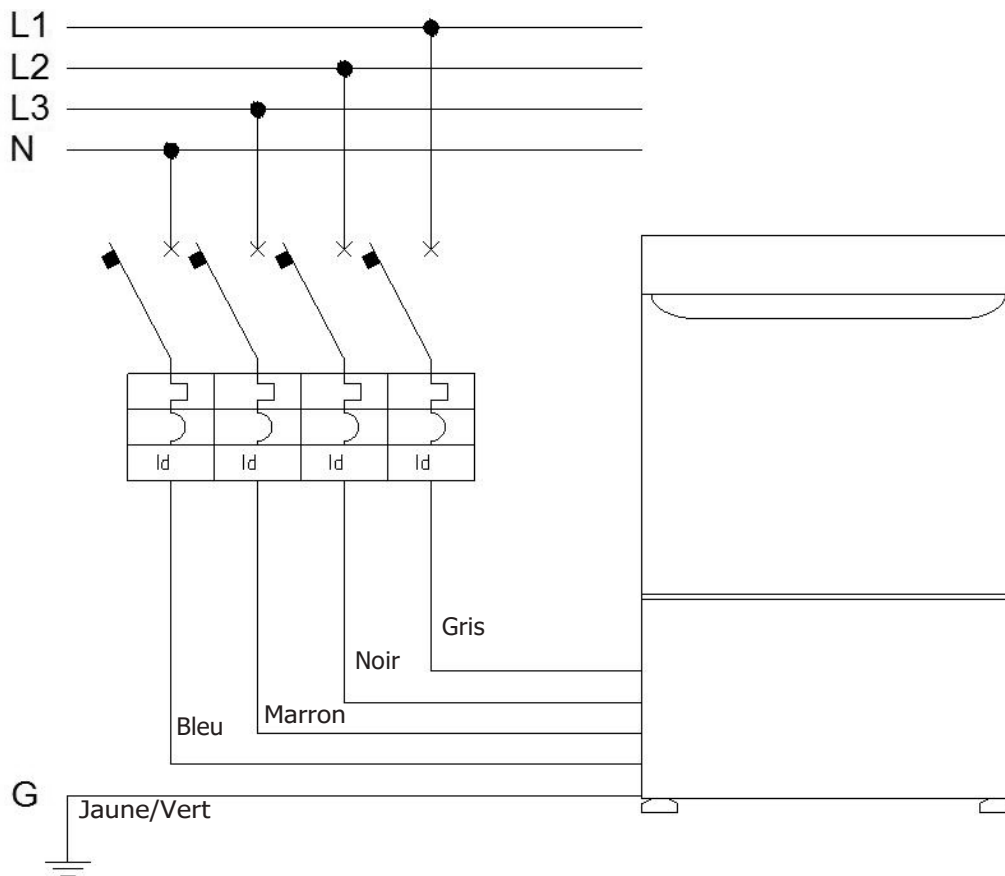
Fil bleu : neutre

Fil jaune/vert : circuit de mise à terre

Brancher l'appareil au système équipotentiel par le biais de la borne prévue à cet effet à l'arrière du lave-vaisselle

Lave-vaisselle triphasé 400V3N+T

Les lave-vaisselles 400V triphasés sont toujours équipés de 5 pôles et donc d'un conducteur neutre. Effectuer le branchement comme indiqué ci-après :



- Fil marron : ligne 1
- Fil noir : ligne 2
- Fil gris : ligne 3
- Fil bleu : neutre
- Fil jaune/vert : circuit de mise à terre

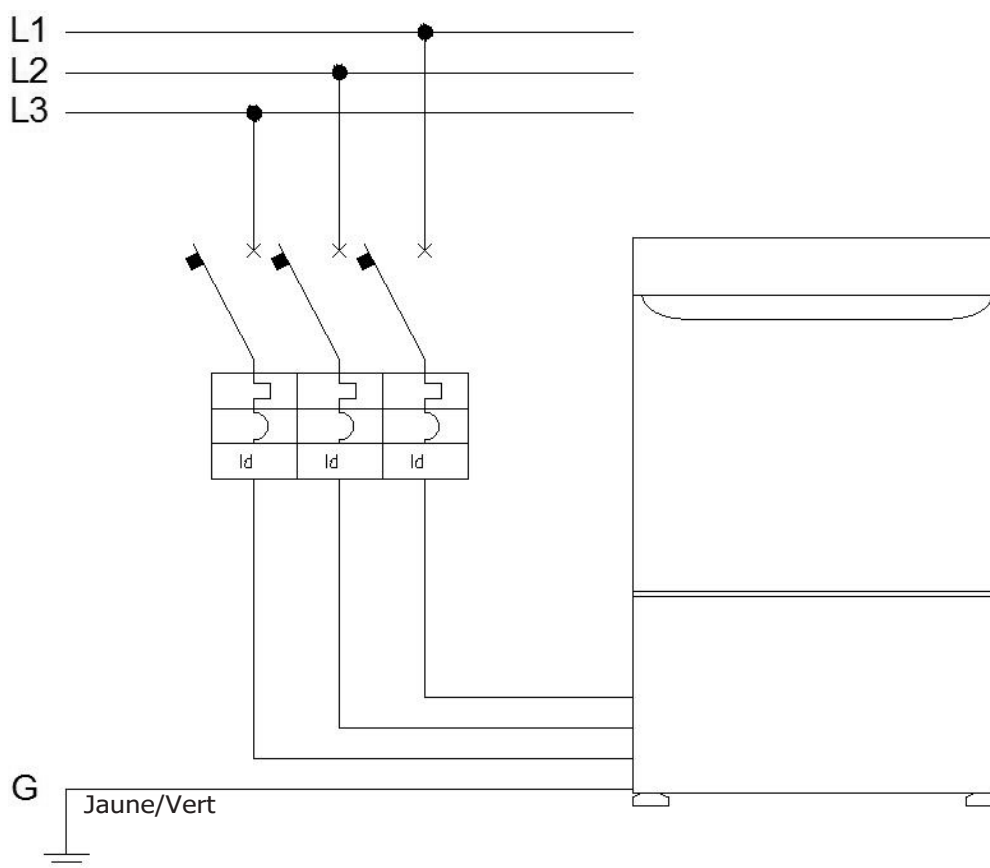
Si le lave-vaisselle est doté d'un moteur de pompe triphasé, vérifier le sens de rotation de la pompe en suivant les instructions jointes au lave-vaisselle.

Si la pompe tourne à l'envers par rapport à la flèche située sur la calotte de la pompe, inverser L1 et L2.

Brancher l'appareil au système équipotentiel par le biais de la borne prévue à cet effet à l'arrière du lave-vaisselle.

Lave-vaisselle triphasé 230V3+T (en option sur demande)

Les lave-vaisselles 230V triphasés 4 pôles sont fournis sur demande explicite au moment de la commande. Une transformation dans un deuxième temps du lave-vaisselle pourrait exiger le remplacement de certains composants. Effectuer le branchement comme indiqué ci-après :



Fil marron : ligne 1

Fil noir : ligne 2

Fil gris : ligne 3

Fil jaune/vert : circuit de mise à terre

Si le lave-vaisselle est doté d'un moteur de pompe triphasé, vérifier le sens de rotation de la pompe en suivant les instructions jointes au lave-vaisselle.

Si la pompe tourne à l'envers par rapport à la flèche située sur la calotte de la pompe, inverser L1 et L2.

Brancher l'appareil au système équipotentiel par le biais de la borne prévue à cet effet à l'arrière du lave-vaisselle.

Lave-vaisselle sans câble électrique

Si le lave-vaisselle est fourni sans câble électrique, suivre les instructions en annexe pour le branchement de la machine au réseau électrique.

Brancher l'appareil au système équipotentiel par le biais de la borne prévue à cet effet à l'arrière du lave-vaisselle.

2.3 Mise à la terre

Le lave-vaisselle doit être branché au circuit de terre du bâtiment ou à un autre système vérifié et approuvé conformément à la réglementation en vigueur en la matière.



ATTENTION !

Nous rappelons que, dans tous les cas, le seul branchement à la terre n'est pas en mesure de réduire la tension de contact et qu'il est donc nécessaire de placer des dispositifs actifs en mesure d'interrompre le flux de tension dans les temps voulus, conformément à la Norme CEI 64-8 ou à la Norme européenne pour les installations dans les locaux publics.

2.4 Branchement au réseau d'eau

Brancher le tuyau d'eau fourni avec le lave-vaisselle arrivée d'eau de $\frac{3}{4}$ " , en enlevant le cas échéant les tuyaux déjà présents.

La température maximale de l'eau d'alimentation est de 55°C.

La pression de l'eau d'alimentation doit respecter les limites indiquées dans les données techniques (200/350 kPa)

Quelques indications supplémentaires :

- *Il est conseillé d'utiliser des réducteurs de pression si l'alimentation hydraulique a lieu par autoclave et à une pression supérieure à la pression normale du réseau d'eau.*
- *Si la pression de l'eau disponible est inférieure à 1,5 bars, il est nécessaire d'installer une pompe externe d'augmentation de pression afin de garantir la phase de rinçage.*
- *Si l'eau présente une dureté supérieure à 14°f, il est conseillé d'utiliser un adoucisseur externe afin d'éviter la formation de dépôts calcaires et des résultats de lavage insuffisants.*
- *Si la dureté de l'eau est supérieure à 14°f, il y a une formation de calcaire.
Si la dureté de l'eau est inférieure à 8°f, le rinçage n'est pas efficace.*

Le raccordement au réseau d'eau est effectué au moyen d'un raccord normal à vis branché à un robinet doté d'une poignée ou d'un volant à main (fig. 8).

Il est recommandé de placer un joint dans le raccord entre le tuyau d'alimentation et le robinet (fig. 8).

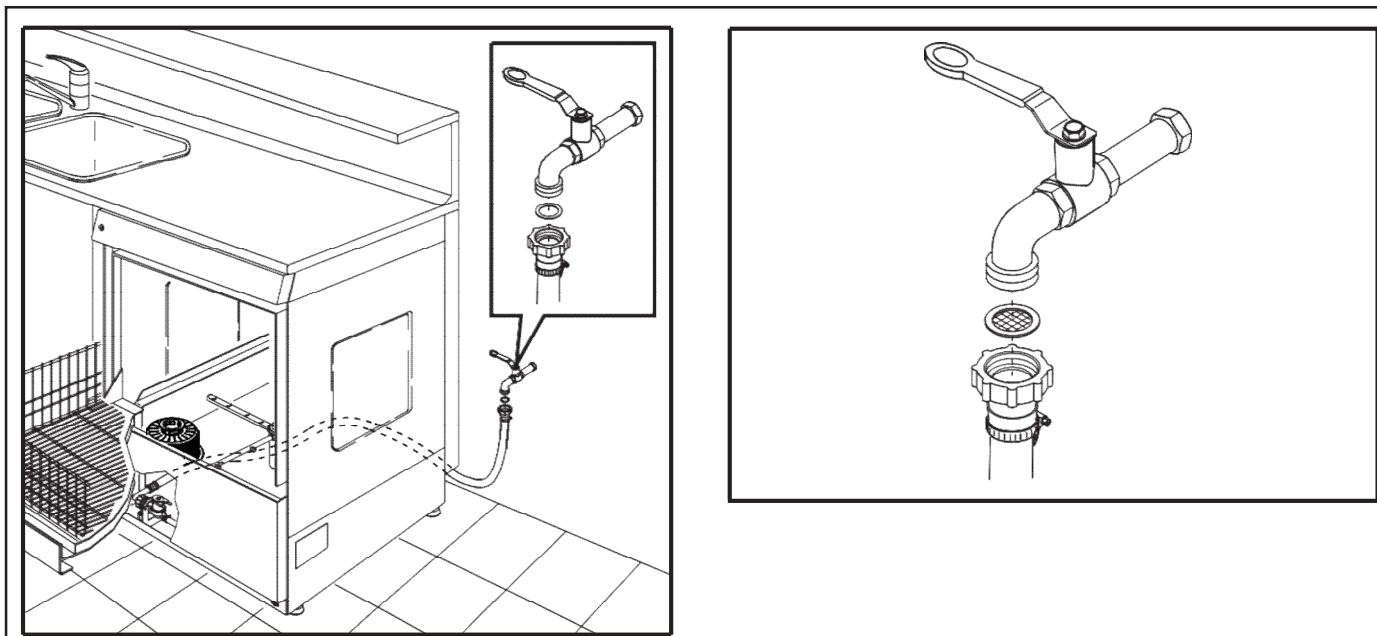


Fig. 8

2.5 Raccordement à la vidange

À l'arrière du lave-vaisselle, il y a un tuyau de vidange, facilement orientable en fonction de la position du puits de vidange (fig. 9).

En revanche, si la vidange par chute n'est pas possible, demander la version avec pompe de vidange (fig. 10) : à ce propos, voir paragr. 2.6 – DEUXIÈME PARTIE.

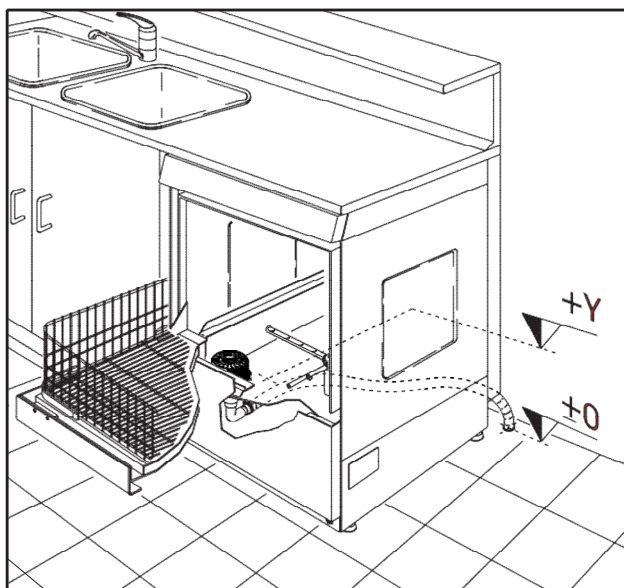


Fig. 9

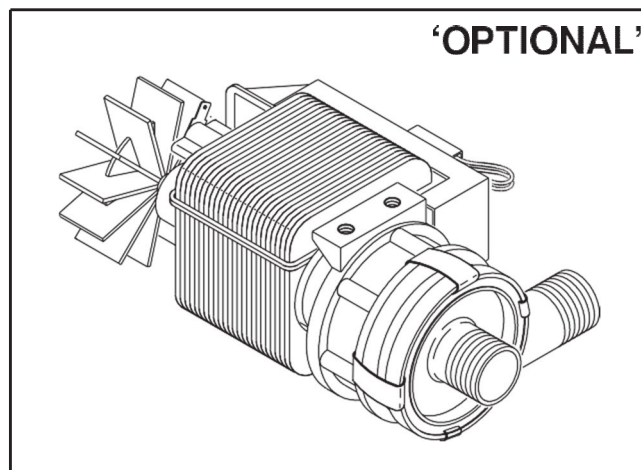


Fig.10

2.6 Version avec pompe de vidange

L'extrémité du tuyau de vidange peut être accrochée au bord d'un évier ou bien à un raccord mural de vidange doté d'un évent pour l'air ou, dans tous les cas, d'un diamètre supérieur au tuyau de vidange afin de permettre le passage de l'air.

Si vous deviez rallonger le tuyau de vidange, ne pas dépasser 2 mètres.

Il est conseillé de ne pas dépasser un dénivelé de 40 cm entre le point de branchement du tuyau de vidange et la base du lave-vaisselle.

S'assurer que le tuyau de vidange soit toujours installé en pente sans former de poches, de coudes ni de siphons.



ATTENTION !

Si l'on accroche le tuyau de vidange au bord d'un évier, placer son extrémité de manière à empêcher à l'eau de vidange d'atteindre des prises ou des appareils électriques.

2.7 Installation lessives

Le lave-vaisselle est doté d'un tuyau bleu d'alimentation du liquide de rinçage et d'un tuyau jaune d'alimentation de la lessive. Avant d'introduire les tuyaux dans leur bidon respectif, il est recommandé d'appliquer à l'extrémité de ces tuyaux le petit lest et le filtre fournis avec le lave-vaisselle (fig. A). Le petit lest en céramique garantit que l'aspiration du produit jusqu'au fond du bidon.

Important : ne jamais introduire les durites dans les bidons sans avoir installé le filtre au préalable, car les éventuelles parties cristallisées du produit endommagent sérieusement les doseurs.

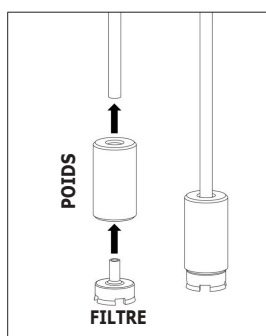


Fig. A

Il est recommandé de garder à vue les bidons de lessive et de liquide de rinçage afin de pouvoir vérifier en permanence la présence de produit. Remplacer les bidons dès que le produit finit.

2.8 Lave-vaisselle avec adoucisseur incorporé

Si la machine est dotée d'un adoucisseur d'eau automatique, celui-ci effectuera la régénération pendant le cycle de lavage à une fréquence configurée par l'installateur au moment de l'installation du lave-vaisselle. La régénération se fait automatiquement, aucune action de l'utilisateur n'est requise.

Lors de la première installation, l'écran affiche le message "SEL NÉCESSAIRE". Introduire dans le réservoir (fig. B) 1 kg de sel et ajouter de l'eau tiède pour bien dissoudre le sel. Le message disparaît une fois que le sel est bien dissous.

Chaque fois que l'écran affiche le message "SEL NÉCESSAIRE", il faut mettre du sel. Il est conseillé d'utiliser un sel spécifique pour lave-vaisselle, à gros grain (1-4 mm), en faisant attention de ne pas en faire tomber au fond de la cuve afin d'éviter de faire rouiller l'acier et de compromettre le bon fonctionnement du lave-vaisselle. Après avoir rempli le réservoir, bien revisser le bouchon. L'autonomie avec 1 kg de sel dépend de la dureté de l'eau à l'entrée, configurée par l'installateur lors de l'installation du lave-vaisselle. Il est recommandé de mettre immédiatement du sel dès que l'écran affiche le message "SEL NÉCESSAIRE", afin d'éviter la formation de calcaire qui détériore des composants de la machine non couverts par la garantie dans ce cas.

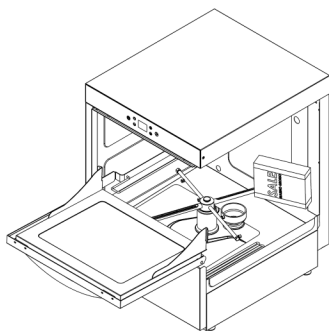


Fig. B

2.9 Mesure de la dureté de l'eau

Utiliser le kit fourni avec le lave-vaisselle pour mesurer la dureté de l'eau à l'entrée :

- Prélever 5 ml d'eau dans le gobelet prévu à cet effet
- Verser dans l'eau prélevée 1 goutte d'indicateur (flacon bleu)
- Ajouter au goutte-à-goutte la solution titrée (flacon transparent) et agiter l'éprouvette après chaque goutte, en comptant le nombre de gouttes nécessaires pour que l'eau devienne d'une couleur bleu azur limpide. Chaque goutte versée correspond à 1°f
- Le total des gouttes comptées correspond à la dureté de l'eau testée. Il faut alors saisir cette valeur dans le menu du lave-vaisselle comme expliqué ci-après



2.9.1 Réglage du lave-vaisselle électronique

Lors de la première installation, dès que l'on alimente le lave-vaisselle, il est nécessaire d'introduire certains paramètres :

- Sélection de la langue : Sélectionner la langue avec les flèches et confirmer avec la touche On-Off
- Dureté de l'eau à l'entrée : Configurer avec les flèches la dureté mesurée avec le kit (voir paragraphe 2.9) et confirmer avec la touche On-Off
- Température de l'eau à l'entrée : Configurer avec les flèches la température de l'eau à l'entrée et confirmer avec la touche On-Off
- Remarque : il suffit de confirmer une fourchette de température entre 4÷30°C, ou bien entre 31÷40°C, ou bien >41°C
- Remplissage des durites de lessive et de liquide de rinçage : lorsque le remplissage des durites est demandé, sélectionner avec les flèches OUI pour effectuer le remplissage (voir point suivant) ou NON pour quitter la programmation du lave-vaisselle
- Après avoir introduit les durites dans leur bidon respectif, confirmer avec la touche On-Off. Les durites se remplissent et cela dure 5 min environ. Pour annuler la procédure, appuyer sur la touche On/Off en la maintenant enfoncée.

À la fin de la procédure guidée, le lave-vaisselle affiche "Stand-by"

3 Préparation pour l'utilisation du lave-vaisselle

3.1 Usages prévus

Le lave-vaisselle est prévu et conçu pour le lavage de vaisselle dans des collectivités.

3.2 Conditions d'utilisation

Le lave-vaisselle peut fonctionner dans toutes les conditions d'utilisation, dans une fourchette de température comprise entre +10 et +50°C.

L'utilisation est donc conditionnée uniquement par la présence de l'opérateur.

Il est toutefois déconseillé de faire fonctionner le lave-vaisselle dans des environnements ouverts, comme des endroits en plein air, des abris improvisés, des stands et autres installations précaires.

3.3 Types de vaisselle

Il est possible de laver :

- pour les modèles lave-verres : verres, tasses à café, flûtes, petites assiettes et assiettes à fruit, dans le respect des indications reportées dans le paragraphe relatif aux Limites d'Utilisation (paragr. 1.8.1 – DEUXIÈME PARTIE).

- pour tous les autres modèles : tous les types de vaisselle dans les limites des dimensions du panier et en se limitant à la vaisselle d'usage courant dans le respect de tout ce qui est indiqué dans le paragraphe relatif aux Limites d'utilisation (paragr. 1.8.1 – DEUXIÈME PARTIE).

3.4 Limites d'utilisation

Le lave-vaisselle doit être utilisé pour le lavage de vaisselle disposée à plat dans le panier, ceci jusqu'à remplissage complet mais sans superposition (fig. 11).

Vérifier en outre que la vaisselle n'empêche pas la libre rotation des bras de lavage.

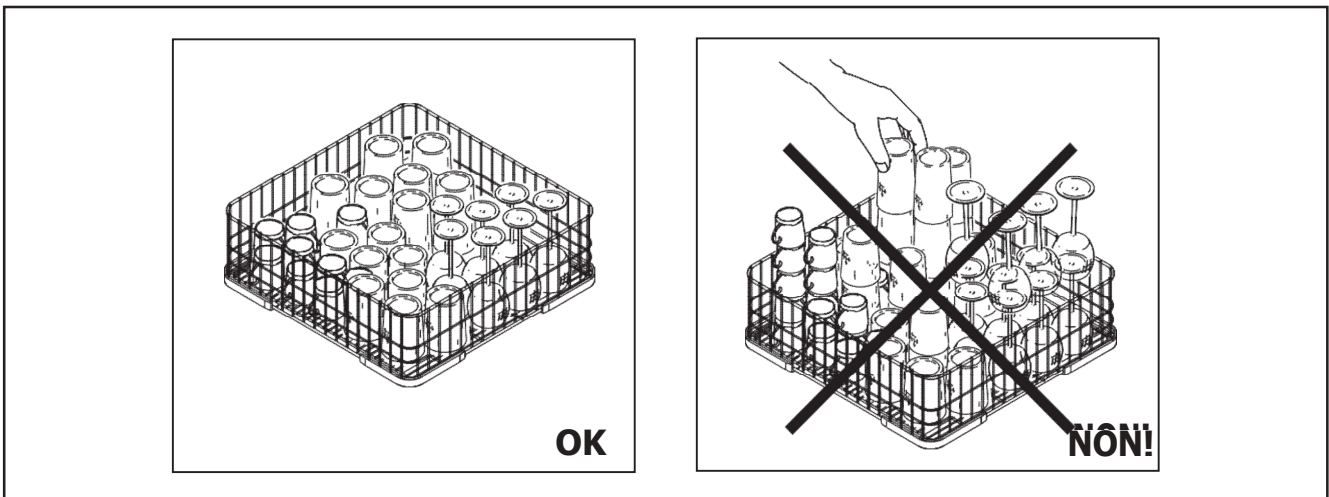


Fig. 11

3.5 Opérateur

L'opérateur doit avoir une expérience, même minime, des appareils pour collectivités, de façon à éviter les mauvaises manœuvres.

De surcroît, la facilité des commandes et la simplicité des opérations à effectuer pour mettre le lave-vaisselle en marche, sont telles que l'on peut acquérir de l'expérience en peu de temps.

L'opérateur doit toujours être conscient des risques (électrocution et brûlure) dus au fonctionnement de tout lave-vaisselle.

L'opérateur doit être formé en particulier dans les cas suivants :

- *personnel temporaire, ayant peu ou pas d'expérience*
- *personnel ayant peu ou pas de pratique dans le service*
- *personnel ayant des difficultés de compréhension de la langue*
- *personnel ayant un handicap physique limitant ses capacités de mouvement.*

4 Instructions pour l'utilisation du lave-vaisselle électronique avec écran LCD

Cet appareil doit être uniquement utilisé par une personne qualifiée et pour le lavage de verres, de soucoupes, de tasses et de petits ustensiles dans le respect des Limites d'utilisation (paragr. 1.8.1 – DEUXIÈME PARTIE).

4.0 Réglage de la date et de l'heure

Le lave-vaisselle est doté d'une horloge et d'un calendrier internes. En cas de coupure d'électricité, les configurations sont maintenues car la carte électronique est dotée d'une batterie tampon.


Pour régler la date et l'heure, suivre la procédure :

Éteindre le lave-vaisselle (Stand-By affiché)

Maintenir simultanément appuyées les touches  

La première page qui s'affiche est la page de configuration de l'heure.

Utiliser les touches flèche   pour changer la valeur affichée.

Appuyer sur la touche  pour passer au réglage des minutes.


Utiliser les touches flèche   pour changer la valeur affichée.

Appuyer sur la touche  pour passer au réglage du jour.

Utiliser les touches flèche   pour changer la valeur affichée.

Appuyer sur la touche  pour passer au réglage du mois.

Utiliser les touches flèche   pour changer la valeur affichée.

Appuyer sur la touche  pour passer au réglage de l'année.

Utiliser les touches flèche   pour changer la valeur affichée.

La touche rinçage  permet de revenir au champ précédent.

À la fin des réglages, tenir la touche  enfoncée pour mémoriser la date et sortir du menu.

4.1 Contrôle général du fonctionnement

Avant de mettre le lave-vaisselle en marche, l'utilisateur doit contrôler la situation en vérifiant à vue que l'installation est fonctionnelle.

En particulier, il faut contrôler périodiquement l'état des tuyaux de jonction et des connexions électriques (voir le chap. 2 – DEUXIÈME PARTIE).

4.2 Organes de sécurité

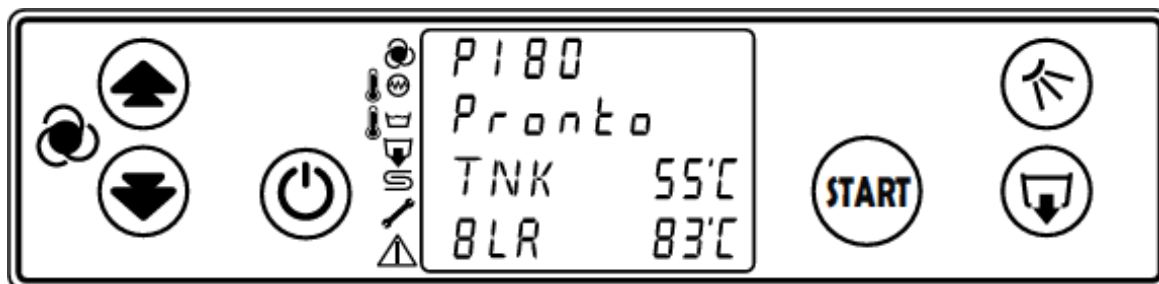
4.2.1 Sécurités générales








Le lave-vaisselle est complètement fermé avec des panneaux métalliques qui ne peuvent être ouverts qu'au moyen d'outils.

4.2.2 Signaux d'alarme

En cas d'anomalie, l'écran affiche un code d'alarme et une brève description du type d'erreur constatée.

4.2.3 Indicateurs et signalisations



CYCLE ACTIVÉ Cycle de lavage activé		RÉGÉNÉRATION Manque de sel ou régénération en cours (uniquement avec adoucisseur incorporé)	
CHAUFFAGE DU SURCHAUFFEUR Si le chauffage est en cours, le carré clignote, si le chauffage est terminé, le carré est allumé en permanence.		ENTRETIEN NÉCESSAIRE Une révision du lave-vaisselle est nécessaire	
CHAUFFAGE DE LA CUVE Si le chauffage est en cours, le carré clignote, si le chauffage est terminé, le carré est allumé en permanence.		ALARME Présence d'anomalie	
VIDANGE Vidange en cours (uniquement avec pompe de vidange installée)			

4.2.4 Dispositifs de blocage

Le dispositif de blocage consiste en un micro-Interrupteur placé sur la porte du lave-vaisselle de manière à ce qu'il ne puisse pas être modifié.

Ce micro-interrupteur arrête le jet d'eau dans le lave-vaisselle mais ne coupe pas la tension électrique de la machine.

Quand la porte est ouverte pendant le cycle de lavage, le cycle est annulé.

À la fermeture de la porte, il est nécessaire de faire repartir le cycle.

Si la porte est ouverte pendant le réchauffement de la cuve, le réchauffement est interrompu.

4.2.5 Protecteurs et protections réglables et amovibles

Les protecteurs et les protections amovibles ne sont pas utilisés car ils ne sont pas nécessaires.

4.3 Mesures de sécurité

L'utilisation du lave-vaisselle implique le respect de certaines règles fondamentales :

- ne pas déplacer le lave-vaisselle de son lieu d'origine pendant le fonctionnement
- s'assurer que le robinet d'alimentation de l'eau soit ouvert avant de mettre la machine en marche
- ne pas utiliser d'acides, d'éponges abrasives ni de brosses en acier pour le nettoyage
- ne pas laver le lave-vaisselle avec des jets directs ou à haute pression
- tous les jours, à la fin du travail, débrancher l'appareil
- vérifier l'état général du lave-vaisselle, avant de l'utiliser, notamment l'alimentation électrique et les commandes
- le lave-vaisselle doit être propre, si possible sans résidus du lavage précédent. Les accessoires prévus doivent être présents et en état de fonctionnement
- si le lave-vaisselle, pour une quelconque raison, doit rester inutilisé, il est recommandé de placer un panneau indiquant "Hors-Service". Si nécessaire, débrancher le lave-vaisselle du réseau électrique.
- Toujours maintenir propre et sec le panneau de commande
- si un petit objet comme une cuillère à café tombe à l'intérieur de la cuve, il est nécessaire de vider la cuve :
 1. éteindre le lave-vaisselle en utilisant la TOUCHE ON/OFF (voir paragr. 4.6) et le débrancher du réseau électrique
 2. enlever le tuyau de trop-plein (fig. 16)
 3. si le lave-vaisselle est doté d'une pompe de vidange, avant de l'éteindre, enlever le tuyau de trop-plein (fig. 16) et démarrer la pompe avec la TOUCHE POMPE DE VIDANGE (voir paragr. 4.6). À la fin de la vidange, le lave-vaisselle s'éteint. Le débrancher du réseau électrique.

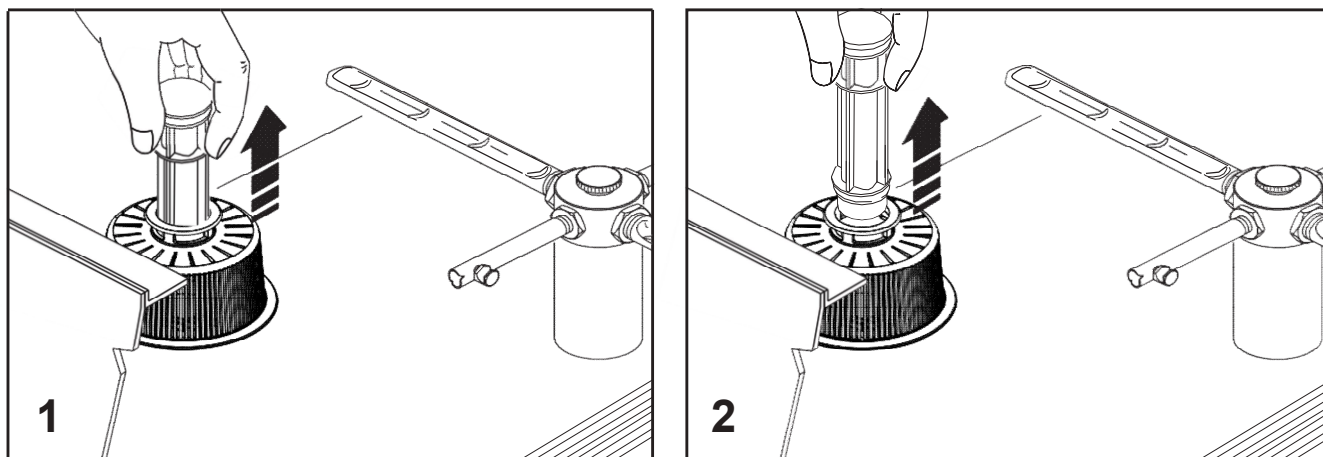


Fig. 16

Attendre 5 minutes au moins avant d'effectuer la récupération pour laisser aux résistances le temps de refroidir.

ATTENTION !



DANGER DE BRÛLURES

4.4 Essai à vide

Avant d'utiliser le lave-vaisselle, il est recommandé d'effectuer un cycle de lavage à vide, afin d'avoir une confirmation que l'installation est viable.

4.5 Opérations de lavage

Une bonne hygiène de la vaisselle exige le respect de certaines règles fondamentales :

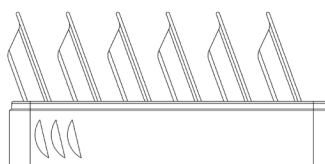
- enlever les restes de nourriture des couverts avant de les introduire dans le lave-vaisselle pour le lavage (fig. 13)



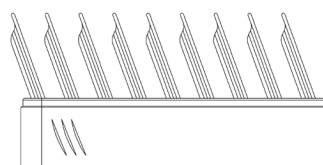
Fig. 13

- remplacer fréquemment l'eau dans la cuve en fonction du nombre de cycles de lavage effectués et, dans tous les cas, au moins 3 fois par jour
- essuyer la vaisselle lavée avec un chiffon propre
- éviter de placer la vaisselle lavée sur des tapis en tissu-éponge ou autres matériaux qui retiennent l'eau
- le filtre de la pompe de vidange doit être propre et correctement positionné.
- Le trop-plein doit être bien placé dans son siège

Veiller à bien placer les couverts dans les paniers 500x500 : les assiettes creuses doivent être placées dans la grille large, tandis que les assiettes plates doivent être placées dans la grille étroite (se référer aux indications gravées sur le panier). Le panier permet de laver 12 assiettes creuses d'un diamètre maximum de 26 cm ou bien 18 assiettes plates d'un diamètre maximum de 26 cm.



Assiettes creuses



Assiettes plates

4.6 Fonctionnement du lave-vaisselle électronique avec écran LCD

La fig. 14 représente le panneau de commande du lave-vaisselle et les références des commandes

TOUCHE SÉLECTION DES TEMPS DE LAVAGE	1
COMMANDES	RÉF.
TOUCHE ON/OFF	2
TOUCHE DÉMARRAGE CYCLE	3
TOUCHE RINÇAGE SUPPLÉMENTAIRE	4
TOUCHE SÉLECTION DES TEMPS DE LAVAGE	5
TOUCHE POMPE DE VIDANGE	6
ÉCRAN LCD	7

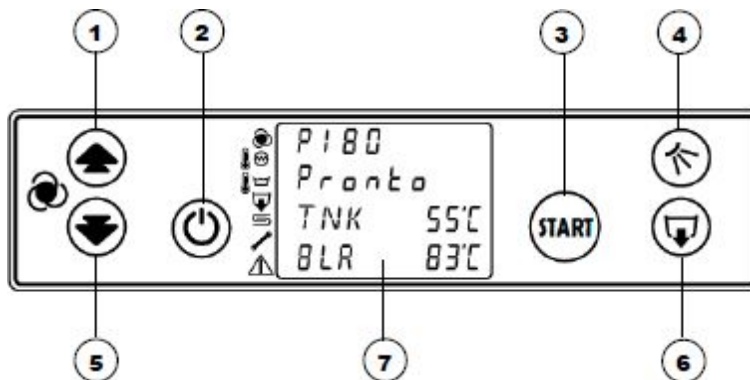


Fig. 14a

LIGNE ÉCRAN	DESCRIPTIONS DES AFFICHAGES	ÉCRAN LCD
1	Avec le lave-vaisselle prêt : code du programme sélectionné Pendant le cycle de lavage : décompte des secondes avant la fin En cas d'anomalie : code de l'anomalie	
2	État du lave-vaisselle, par exemple chargement, chauffage, prêt (le texte peut éventuellement défiler) En cas d'anomalie : description de l'anomalie	
3	Température de la cuve	
4	Température du surchauffeur En cas d'anomalie : suggestions pour résoudre le problème.	

Voici la séquence des opérations à effectuer pour l'exécution du lavage : certaines de ces opérations sont automatiquement exécutées par le lave-vaisselle.



ATTENTION

PRÊTER ATTENTION AU MOUVEMENT D'OUVERTURE ET DE FERMETURE DE LA PORTE/DU CAPOT DU LAVE-VAISSELLE.

NE PAS UTILISER LE LAVE-VAISSELLE EN PORTANT DES VÊTEMENTS/OBJETS QUI POURRAIENT ÊTRE PIÉGÉS DANS LES COMPOSANTS DU LAVE-VAISSELLE, EN LIMITANT LA CAPACITÉ NORMALE DE MOUVEMENT.

PHASE	TYPE DE LAVE-VAISSELLE/FIGURE RÉFÉRENCES	
	Lave-vaisselle à chargement frontal	Lave-vaisselle à capot
0. Contrôles initiaux	<p>Vérifier que la cuve soit complètement vide et propre</p> <p>Contrôler que les bras de lavage sont propres et libres de tourner</p> <p>Vérifier que le filtre est propre et bien inséré</p> <p>Vérifier que le trop-plein est inséré correctement dans son logement</p>	
1. Allumage	<p>Fermer la porte du lave-vaisselle.</p> <p>Toucher la TOUCHE ON/OFF (2), l'écran s'allume en affichant STANDBY.</p> <p>Toucher à nouveau la TOUCHE ON/OFF (2), le lave-vaisselle s'allume</p>	<p>Fermer le capot du lave-vaisselle et pousser la poignée vers le bas.</p> <p>Toucher la TOUCHE ON/OFF (2), l'écran s'allume en affichant STANDBY.</p> <p>Toucher à nouveau la TOUCHE ON/OFF (2), le lave-vaisselle s'allume</p>
2. Chargement de l'eau	<p>Le remplissage de la cuve de lavage jusqu'au niveau maximum du tuyau de trop-plein se fait automatiquement.</p>	
3. Chauffage de l'eau	<p>Le chauffage de l'eau de lavage se fait automatiquement.</p> <p>L'écran affiche les températures respectives de la cuve et du surchauffeur. À côté de l'écran, les cases correspondant au CHAUFFAGE SURCHAUFFEUR (d'abord) et au CHAUFFAGE DE LA CUVE (ensuite) se mettent à clignoter. Le chauffage est terminé quand les icônes clignotantes disparaissent de l'écran.</p> <p>Avant de commencer le lavage, il est nécessaire que l'écran affiche le message "PRÊT". Ce message s'affiche uniquement quand les températures minimums configurées par l'installateur sont atteintes.</p>	
4. Dosage des lessives et des liquides de rinçage	<p>Tous les lave-vaisselles sont dotés d'automatismes pour le dosage de la lessive et du liquide de rinçage, les réglages sont effectués par l'installateur au moment de l'installation.</p> <p>La lessive comme le liquide de rinçage sont dosés automatiquement à la fin du chargement de la cuve et à la fin de chaque cycle de lavage.</p>	
5. Sélection temps de lavage	<p>Avec les TOUCHES DE SÉLECTION DES TEMPS DE LAVAGE (1) ou (5), il est possible de faire défiler les 4 cycles de lavage disponibles.</p> <p>Les cycles de lavage sont identifiés par un code qui s'affiche à l'écran dans la première ligne en haut. Le code est composé d'une lettre qui identifie le type de vaisselle à laver, suivie de chiffres qui correspondent à la durée du cycle exprimée en secondes.</p> <p>Les sigles présents sont les suivants :</p> <p>G (Glass) : Verres</p> <p>C (Cup) : Tasses à café</p> <p>D (Dish) : Assiettes</p> <p>P (Pot) : Casseroles</p> <p>T (Trays) : Plats à four</p> <p>F (Flatware) : Couverts</p> <p>Voir en bas de ce tableau la liste des cycles de lavage disponibles selon le modèle de lave-vaisselle.</p>	

PHASE	TYPE DE LAVE-VAISSELLE/FIGURE RÉFÉRENCES	
6. Lavage	<p>Ouvrir la porte, introduire le panier avec la vaisselle (en s'assurant que la disposition des couverts corresponde à ce qui est décrit au paragr. 3.4 – DEUXIÈME PARTIE), fermer la porte et appuyer sur la TOUCHE DÉMARRAGE CYCLE (3) pour démarrer la phase de lavage : la case correspondant au CYCLE ACTIVÉ s'allume.</p> <p>À la fin du cycle de lavage, l'écran se met à clignoter jusqu'à ce le panier soit extrait.</p>	<p>Lever le capot, introduire le panier avec la vaisselle (en s'assurant que la disposition des couverts corresponde à ce qui est décrit au paragr. 3.4 – DEUXIÈME PARTIE). Baisser le capot et pousser la poignée vers le bas. le cycle de lavage démarre automatique et la case correspondant au CYCLE ACTIVÉ s'allume.</p> <p>À la fin du cycle de lavage, l'écran se met à clignoter jusqu'à ce le panier soit extrait.</p>
7. Rinçage supplémentaire	<p>si l'on souhaite effectuer un rinçage supplémentaire, toucher la TOUCHE RINÇAGE SUPPLÉMENTAIRE (4) pour démarrer un cycle de rinçage de 15 sec.</p> <p>N.B. le programme de rinçage supplémentaire est disponible uniquement si le surchauffeur a atteint la température de travail. Dans le cas contraire, il n'est pas possible de faire partir le cycle.</p>	
8. Déchargement de la vaisselle	<p>Ouvrir la porte pour enlever le panier contenant la vaisselle.</p> <p>Pour éliminer la buée éventuelle de la vaisselle :</p> <ol style="list-style-type: none"> 1. réintroduire le panier avec la vaisselle 2. refermer la porte 3. effectuer un deuxième rinçage en appuyant sur la TOUCHE RINÇAGE SUPPLÉMENTAIRE (4) 	<p>Lever le capot pour enlever le panier contenant la vaisselle.</p> <p>Pour éliminer la buée éventuelle de la vaisselle :</p> <ol style="list-style-type: none"> 1. réintroduire le panier avec la vaisselle 2. refermer le capot 3. effectuer un deuxième rinçage en appuyant sur la TOUCHE RINÇAGE SUPPLÉMENTAIRE (4)

Nous répertorions ci-après les programmes présents par type de lave-vaisselle ; les programmes se différencient par la durée, les dosages et les températures :

Lave-verres panier de 350

- G75 (cycle court pour verres 75 sec.)
- G90 (cycle pour verres 90 sec.)
- C110 (cycle pour tasses à café 110 sec.)
- C130 (cycle intensif pour tasses à café 130 sec.)

Lave-verres panier de 400

- G75 (cycle court pour verres 75 sec.)
- G90 (cycle pour verres 90 sec.)
- C110 (cycle pour tasses à café 110 sec.)
- C130 (cycle intensif pour tasses à café 130 sec.)

Lave-verres à eau propre panier de 400

- G90 (cycle pour verres 90 sec.)
- C90 (cycle court pour tasses à café 90 sec.)
- C110 (cycle pour tasses à café 110 sec.)
- C130 (cycle intensif pour tasses à café 130 sec.)

Lave-vaisselle sous plan panier de 450-500-600

G90 (cycle pour verres 90 sec.)

C110 (cycle pour tasses à café 110 sec.)

D120 (cycle pour assiettes 120 sec.)

F300 (cycle pour couverts 300 sec.)

Lave-objets

D120 (cycle pour assiettes 120 sec.)

T150 (cycle court pour plateaux 150 sec.)

P240 (cycle pour poêles 240 sec.)

T540 (cycle pour plats à four 540 sec.)

Lave-vaisselle à capot (60-90-120-300 sec.)

D90 (cycle court pour assiettes 60 sec.)

D90 (cycle pour assiettes 90 sec.)

D120 (cycle pour assiettes et couverts 120 sec.)

F300 (cycle pour couverts 300 sec.)

4.6.1 Energy Saving

Après 30 minutes d'inactivité, le lave-vaisselle se met en état d'Energy Saving en baissant la température de la cuve à 40°C et du surchauffeur à 60°C. De cette manière, le maintien de températures plus basses que les températures de travail permet de faire des économies d'énergie.

Pour sortir de l'état d'Energy Saving, il suffit d'appuyer sur n'importe quelle touche ou bien d'ouvrir et refermer la porte.

Il est possible de régler le temps d'attente avant que le lave-vaisselle se mette en état Energy Saving, s'adresser à un centre d'assistance agréé pour modifier la configuration.

4.7 Fin du travail

Tous les jours, après l'usage :

Si la pompe de vidange n'est pas installée sur le lave-vaisselle

1. Ouvrir la porte et enlever le tuyau de trop-plein puis refermer la porte.
2. Appuyer brièvement sur la TOUCHE ON/OFF (2) pour éteindre le lave-vaisselle (l'écran affichera le message demandant d'enlever le trop-plein)
3. Après quelques secondes, un cycle d'auto-nettoyage de 2 minutes environ commence pour rincer la cuve et refroidir le surchauffeur.
4. À la fin du cycle d'auto-nettoyage, le lave-vaisselle s'éteint
5. Si l'on souhaite éteindre le lave-vaisselle sans effectuer le cycle d'auto-nettoyage, appuyer longuement sur la TOUCHE ON/OFF

Si la pompe de vidange est installée sur le lave-vaisselle

1. Ouvrir la porte et enlever le tuyau de trop-plein puis refermer la porte.
2. Appuyer longuement sur la TOUCHE POMPE DE VIDANGE (6) jusqu'au démarrage du cycle de vidange et d'auto-nettoyage de la cuve. Le cycle d'auto-nettoyage démarre automatique dès que la cuve est vide. Ce cycle dure 2 minutes environ et sert à rincer la cuve et à refroidir le surchauffeur.
3. À la fin du cycle d'auto-nettoyage, le lave-vaisselle s'éteint

Dès que le lave-vaisselle est éteint

1. couper l'alimentation électrique en fermant l'interrupteur général placé en amont du lave-vaisselle ou en débranchant le lave-vaisselle du réseau électrique
2. enlever et nettoyer le filtre pompe de lavage (fig. 17) et, le cas échéant, les filtres cuve éventuels
3. nettoyer soigneusement la cuve de lavage
4. contrôler et, si nécessaire, démonter et nettoyer les tuyaux de lavage et de rinçage
5. remonter toutes les pièces à leur place en procédant en sens inverse

6. laisser la porte/capot ouvert(e) pendant tout le temps de repos (N.B. si l'on ne coupe pas l'alimentation électrique et que la porte est ouverte, l'écran affiche le message "ATTENTION VAPEUR CHAUDE" pour signaler que la cuve est chaude et indiquer la présence de vapeur chaude. Le message disparaît dès que la cuve a refroidi).

ATTENTION !



DANGER DE BLESSURES



DANGER DE CHUTE

LA PORTE OUVERTE DU LAVE-VAISSELLE PEUT CONSTITUER UN OBSTACLE AU PASSAGE DE PERSONNES ET D'OBJETS PRÈS DU LAVE-VAISSELLE.

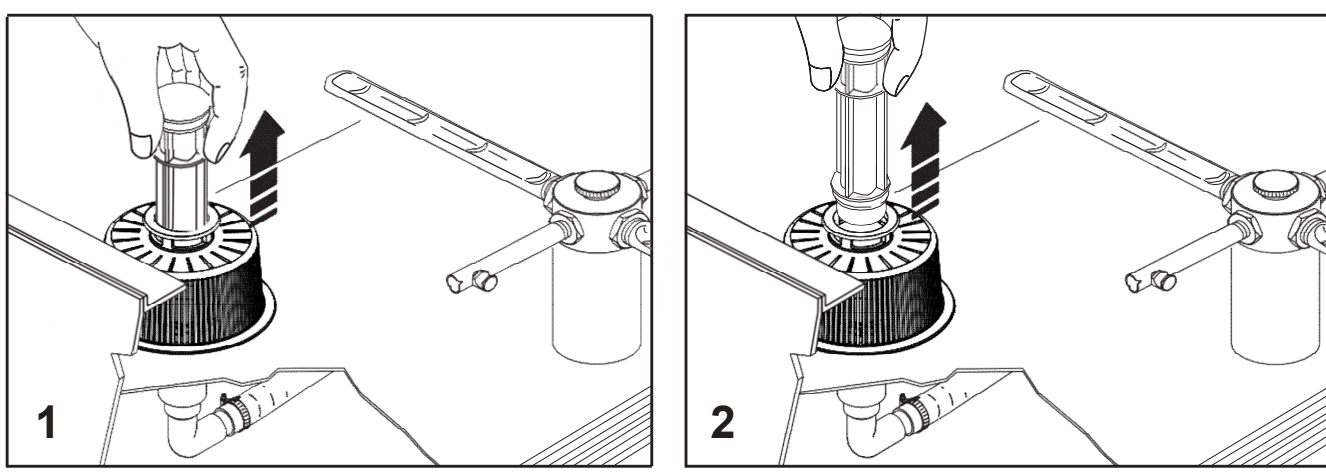


Fig. 16

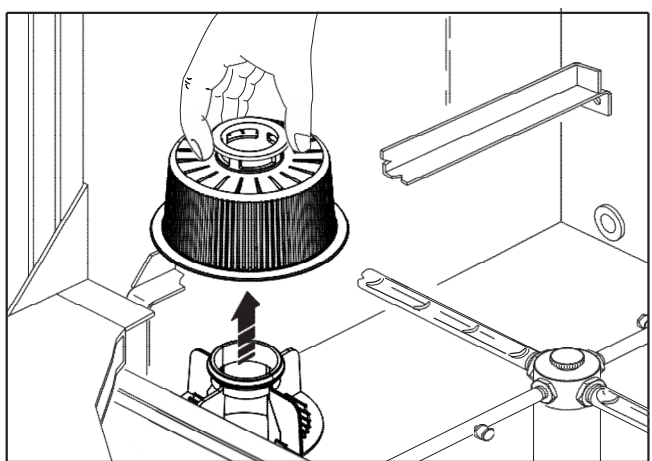


Fig. 17

4.8 Thermostop

Le lave-vaisselle est doté de série de la fonction de thermostop qui garantit le démarrage du cycle de lavage uniquement si la température de l'eau dans la cuve a atteint le minimum configuré (Thermostop de la cuve) et active le rinçage uniquement si le surchauffeur a atteint la température minimum configurée (Thermostop Surchauffeur).

À la fin du cycle de lavage et avant de lancer le rinçage, la température du surchauffeur doit être contrôlée :

Si la température est supérieure à la valeur minimum, le cycle se poursuit normalement avec le rinçage.
Si la température est inférieure à la valeur minimum, le cycle de lavage est prolongé jusqu'à ce que la température minimum soit atteinte.

ATTENTION !**DANGER DE BLESSURES****DANGER D'ENDOMMAGEMENT DU LAVE-VAISSELLE**

Le démontage doit être effectué par du personnel spécialisé et certifié.

Il est donc conseillé de porter le lave-vaisselle chez le revendeur agréé, si l'on doit démonter le lave-vaisselle totalement ou en partie.

6 Entretien**ATTENTION !****DANGER DE BLESSURES****DANGER DE BRÛLURES**

LES ACTIVITÉS D'ENTRETIEN DOIVENT ÊTRE EFFECTUÉES EXCLUSIVEMENT AVEC LE LAVE-VAISSELLE ARRÊTÉ ET DÉBRANCHÉ DU RÉSEAU ÉLECTRIQUE ET AVEC LA CUVE VIDE.



PAR AILLEURS, AVANT D'EFFECTUER L'ENTRETIEN, ATTENDRE LE TEMPS DE REFROIDISSEMENT DES RÉSISTANCES (AU MOINS 5 MINUTES).

LA SEULE EXCEPTION À CES RÈGLES EST REPRÉSENTÉE PAR LE CONTRÔLE DU FONCTIONNEMENT DU MICRO-INTERRUPTEUR (VOIR LE TABLEAU CI-DESSOUS).

Dans le tableau suivant, sont schématisées les activités d'entretien du lave-vaisselle et la fréquence avec laquelle on doit les effectuer.

Si une intervention est nécessaire, s'adresser au revendeur agréé.

ENTRETIEN	FRÉQUENCE	NOTES
Nettoyage de la cuve de lavage	Tous les jours	À effectuer avec le plus grand soin.
Nettoyage du bras de rinçage	Tous les jours	Démonter le bras de rinçage en dévissant le cliquet de fixation et le tirer vers le haut (fig. 18). Laver le bras avec de l'eau. Effectuer les mêmes opérations pour le bras de rinçage supérieur.
Nettoyage du filtre pompe de lavage	Tous les jours	Enlever le filtre pompe de lavage en le tirant vers le haut, le laver et le rincer (fig. 19).
Nettoyage des filtres cuve le lavage (si installés)	Tous les jours	Enlever les filtres de la cuve de lavage en les tirant vers le haut, les laver et les rincer

ENTRETIEN	FRÉQUENCE	NOTES
Contrôle de la rotation du bras de lavage	Tous les jours	Contrôler manuellement la bonne rotation du bras de rinçage.
Nettoyage des parois extérieures	Tous les 1-2 jours	Ne pas utiliser des solvants sur le panneau de commande.
Contrôle du fonctionnement du micro-interrupteur	Une fois par semaine	Contrôler le fonctionnement du micro-interrupteur de la porte quand le cycle de lavage est lancé, en ouvrant/fermant la porte ou en levant/abaissant le capot.
Contrôle du câble d'alimentation et des tuyaux hydrauliques	Tous les 6 mois	<p style="text-align: center;">ATTENTION !</p> <p> DANGER D'ÉLECTROCUTION</p> <p> DANGER DE BLESSURES</p> <p><u>En cas de dommage à ces éléments, couper la tension du lave-vaisselle sans toucher le câble électrique (porter l'interrupteur placé en amont de la machine en position "éteint" ou débrancher complètement le lave-vaisselle du réseau électrique).</u></p> <p><i>S'adresser immédiatement au revendeur agréé et faire effectuer la réparation par du personnel expérimenté et qualifié.</i></p> <p><u>Ne pas utiliser le lave-vaisselle tant que la réparation n'a pas été effectuée.</u></p>

Par ailleurs, un entretien technique périodique est nécessaire de la part d'un technicien spécialisé qui devra délivrer le rapport de vérification :

ENTRETIEN	FRÉQUENCE	NOTES
Contrôle général visuel de la part du technicien qui a installé le lave-vaisselle	Au moment de l'installation	le technicien doit délivrer un rapport confirmant le bon fonctionnement du lave-vaisselle. Le rapport doit contenir la date de l'intervention, la signature du technicien et la signature du client/responsable de l'entretien du local.
Contrôle visuel général de la part du technicien qui a installé le lave-vaisselle. Vérifier l'état général des composants internes, le fonctionnement des doseurs et s'assurer qu'il n'y ait pas de fuites de liquides des doseurs ou de fuites d'eau du circuit hydraulique, pompes comprises. Vérifier l'état des raccords des conduites d'arrivée et de vidange de l'eau	6 mois après la première installation	

ENTRETIEN	FRÉQUENCE	NOTES
<p>Vérifier le fonctionnement et l'usure de tous les composants, en les remplaçant si besoin</p> <p>Contrôle du nettoyage du surchauffeur (le vider et vérifier la présence de calcaire)</p> <p>Contrôle du joint de la résistance du surchauffeur</p> <p>Contrôle de la présence éventuelle de fuites sur la pompe de lavage</p> <p>Contrôle de l'intégrité du circuit hydraulique</p> <p>Contrôle de l'intégrité du tuyau d'arrivée d'eau</p> <p>Contrôle de l'intégrité du tuyau de vidange</p> <p>Contrôle de l'état des connexions des tuyaux d'arrivée et de vidange de l'eau</p> <p>Contrôle du serrage des colliers</p> <p>Contrôle de l'intégrité du câblage électrique (remplacer les éventuels fils endommagés par des causes externes/environnementales)</p> <p>Contrôle de l'intégrité des sondes de température et de la bonne température relevée</p> <p>Contrôle de toutes les connexions électriques (faston, bornier, bornes des résistances électriques)</p> <p>Contrôle que tous les fils sont correctement serrés dans les bornes des télerupteurs si prévus (modèles triphasés)</p> <p>Contrôle du câble électrique, de la fiche et/ou des connexions au tableau</p> <p>Contrôle de l'intégrité et du nettoyage de la trappe d'air</p> <p>Contrôle du bon fonctionnement du pressostat</p> <p>Contrôle du bon fonctionnement de l'électrovanne</p> <p>Nettoyage du filtre de l'électrovanne</p> <p>Remplacement des tubes des doseurs du détergent et du produit de brillance même si la machine dans les 12 derniers mois a travaillé partiellement.</p> <p>Remplacement des douilles en graphite de carbone des rotors pour assurer toujours un rinçage correct</p>	<p>Tous les 12 mois</p>	<p>Le technicien lors de a vérification et/ou du remplacement des composants (qui doit être effectué avec des pièces de rechange d'origine), devra effectuer les réparations nécessaires s'il détecte d'autres anomalies. Si le lave-vaisselle ne peut être réparé immédiatement, il doit rester inutilisé et un panneau « hors service » doit être exposé.</p> <p>Une fois les inspections/réparations terminées, le technicien doit émettre un rapport confirmant que le lave-vaisselle fonctionne correctement.</p> <p>Le rapport doit contenir la date de l'intervention, la signature du technicien et la signature du client/responsable de l'entretien du local.</p>
<p>Effectuer tous les contrôles prévus tous les 12 mois et en outre :</p> <p>Remplacement des composants suivants avec des pièces d'origine :</p> <p>Joint pompe lavage</p> <p>Tuyau d'arrivée eau</p> <p>Tuyau de vidange eau</p> <p>Joint d'étanchéité de la résistance surchauffeur</p> <p>Pressostat cuve (et surchauffeur si prévu)</p> <p>Électrovannes</p>	<p>Tous les 24 mois</p>	<p>Suivre les indications reportées dans les notes des 12 mois</p>

Le non-respect des contrôles susmentionnés et l'absence de rapports de la part du technicien font déchoir la garantie du produit. Le Fabricant ne répond pas des anomalies de fonctionnement et/ou dommages causés par la négligence ou le non-respect des règles d'entretien périodique reportées dans ce manuel d'utilisation et d'entretien.

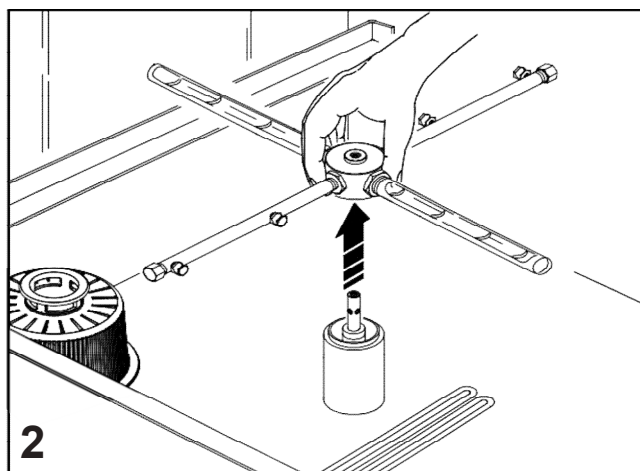
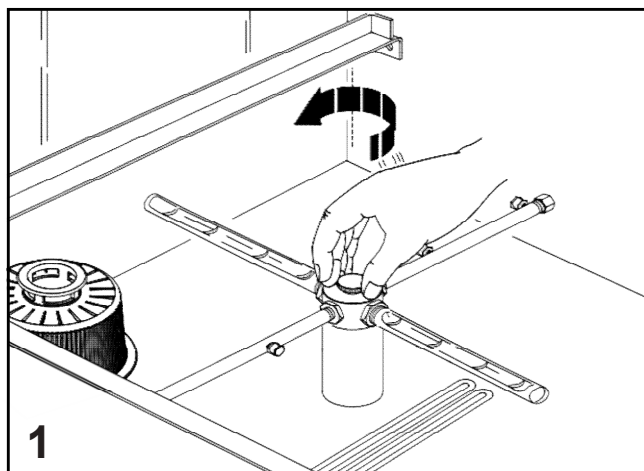


Fig. 18

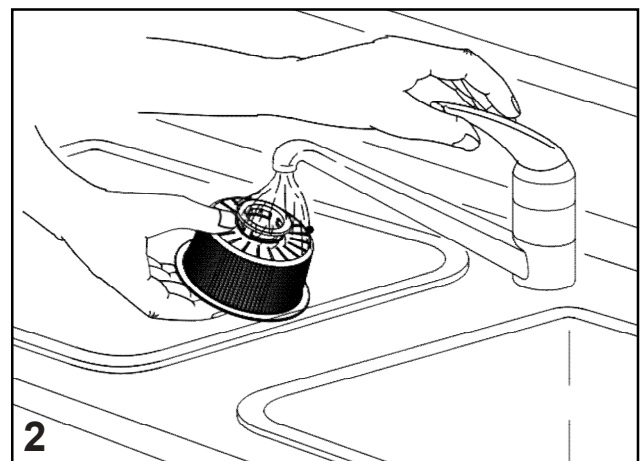
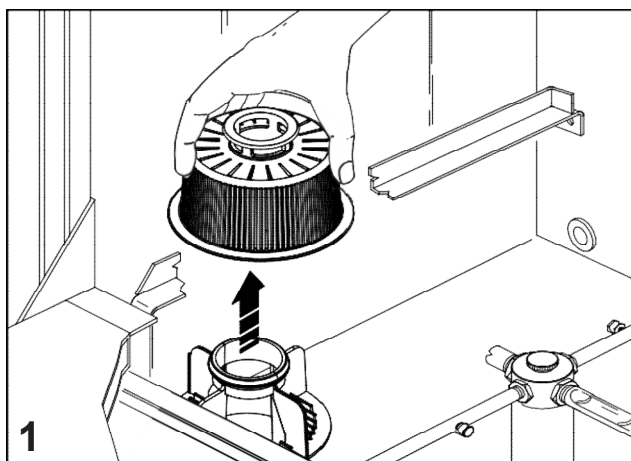


Fig. 19

6.1 Entretien de l'écran LCD

Pour le nettoyage de l'écran du lave-vaisselle, utiliser un chiffon doux et humide.

Pendant le nettoyage de l'écran, ne pas pulvériser d'eau et ne pas utiliser de détergents, de produits ou de substances chimiques contenant de l'alcool ou des solvants qui pourraient détériorer la membrane de l'écran ou la surface de l'écran tactile et entraîner leur détachement.

S'assurer de bien sécher l'eau en excès présente sur l'écran.

Ne pas utiliser d'éponges abrasives ni d'objets abrasifs ou pointus qui pourraient rayer l'écran de manière irréversible ou trouser la membrane. Les dommages de ce type ne sont pas couverts par la garantie.

Les activités d'entretien ordinaire doivent être effectuées en sécurité en portant des gants et des lunettes de protection. Les activités d'entretien doivent être effectuées exclusivement avec le lave-vaisselle arrêté et débranché du réseau électrique et avec la cuve vide. Avant d'effectuer l'entretien, attendre le temps de refroidissement des résistances (au moins 5 minutes).

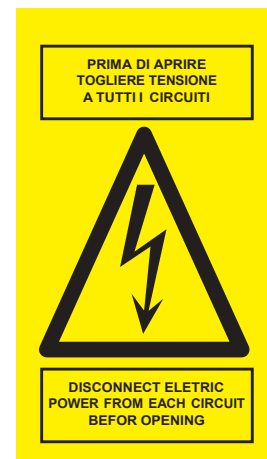
Pour le nettoyage des parois extérieures du lave-vaisselle, utiliser uniquement un détergent neutre spécifique pour l'acier et un chiffon doux non abrasif. Attention : le degré de protection du lave-vaisselle est IPx1, aussi il est absolument interdit d'utiliser des jets d'eau directs pour le nettoyage de tout composant du lave-vaisselle. DE plus, il est interdit de laver les sols, les murs ou tout autre objet installé à proximité du lave-vaisselle avec des jets d'eau ou des nettoyeurs à haute pression. Pendant l'entretien normal et le nettoyage du sol, éviter de mouiller excessivement la base du lave-vaisselle. Éviter de laisser de l'eau stagnante à proximité du lave-vaisselle. Pour le nettoyage de l'acier, ne pas utiliser d'eau de javel, de produits contenant du chlore ni d'autres substances pouvant attaquer l'acier. Ne pas utiliser de paille de fer ni autres instruments métalliques pouvant rayer de manière irréversible l'acier et les autres composants du lave-vaisselle.

N.B. Le constructeur décline toute responsabilité en cas d'accidents pour les personnes ou les biens dérivant du non-respect des normes citées ci-dessus.

7 Dangers résiduels

Le danger résiduel est représenté par la tension d'alimentation du courant alternatif.

Les mises en garde placées sur le lave-vaisselle indiquent et signalent ce danger aux endroits adéquats par un symbole conforme aux Normes représenté ci-contre.



8 Instructions pour les situations d'urgence



ATTENTION

Les situations d'urgence qui peuvent se présenter pendant l'utilisation du lave-vaisselle sont dues à :

- *une perte d'isolation*
- *électrocution*

Dans tous les cas de mauvais ou de non-fonctionnement, dans lesquels peuvent se présenter des situations d'urgence, il faut couper la tension du lave-vaisselle en agissant sur l'interrupteur général placé en amont de l'appareil afin d'interrompre l'alimentation électrique.


En cas d'électrocution, il faut prendre les précautions adéquates suggérées par les Normes de sécurité qui prévoient de ne pas toucher le blessé, mais de couper le courant en agissant sur l'interrupteur général situé amont de l'appareil.

Dans tous les cas de mauvais ou de non-fonctionnement, dans lesquels peuvent se présenter les situations d'urgence décrites ci-dessus, il faut éviter d'utiliser le lave-vaisselle et le faire examiner et réparer par du personnel spécialisé et certifié.


9 Résolution des problèmes

Avant de quitter l'usine, chaque appareil a été testé par du personnel spécialisé, de façon à donner les meilleurs résultats de fonctionnement.

En cas de dysfonctionnement de l'appareil, vérifier d'abord s'il est possible d'éliminer le problème en suivant les indications suivantes.

PROBLÈME	CAUSE POSSIBLE	SOLUTION
0. Le lave-vaisselle ne s'allume pas	L'interrupteur en amont du lave-vaisselle est en position "éteint"	Tourner l'interrupteur en amont du lave-vaisselle en position "allumé"
	La prise ou le câble d'alimentation sont endommagés ATTENTION !  DANGER D'ÉLECTROCUTION	En cas de dommage à ces éléments, couper la tension du lave-vaisselle sans toucher le câble électrique (porter l'interrupteur placé en amont du lave-vaisselle en position "éteint" ou débrancher complètement le lave-vaisselle du réseau électrique). S'adresser immédiatement au revendeur agréé et faire effectuer la réparation par du personnel expérimenté et qualifié. Ne pas utiliser le lave-vaisselle tant que la réparation n'a pas été effectuée.
	L'écran tactile ne répond pas aux commandes	Nettoyer et/ou sécher l'écran et s'assurer que la porte soit fermée
1. Le lave-vaisselle n'effectue pas la phase de chargement de l'eau	Absence d'énergie électrique	Attendre le rétablissement de l'énergie électrique
	Porte/le capot du lave-vaisselle mal fermé	Ouvrir le robinet d'alimentation de l'eau
	Filtre du robinet d'alimentation de l'eau engorgé	Nettoyer le filtre du robinet d'alimentation de l'eau
	Robinet d'alimentation fermé	Ouvrir le robinet d'alimentation
	Adoucisseur en amont en phase de régénération	Attendre la fin de la régénération
2. En agissant sur la TOUCHE DÉMARRAGE CYCLE, le cycle ne démarre pas	Porte/le capot du lave-vaisselle mal fermé	Fermer la porte/le capot du lave-vaisselle
	L'interrupteur en amont du lave-vaisselle est en position "éteint"	tourner l'interrupteur en amont du lave-vaisselle en position "allumé"
	On n'a pas appuyé sur la TOUCHE DÉMARRAGE CYCLE pendant les 2 secondes nécessaires	Appuyer de nouveau sur la TOUCHE DÉMARRAGE CYCLE pendant 2 secondes au moins
	L'écran tactile ne répond pas aux commandes	Nettoyer et/ou sécher l'écran et s'assurer que la porte soit fermée
3. Le lavage est	Le filtre pompe de lavage fig. 19) est engorgé	Laver et rincer le filtre de la pompe de lavage (fig. 19)
	Les bras de lavage (fig. 18) heurtent des couverts à laver qui dépassent du panier	Disposer la vaisselle de façon à éviter le contact avec les bras de lavage, en suivant les indications du paragr. 3.4 – DEUXIÈME PARTIE

PROBLÈME	CAUSE POSSIBLE	SOLUTION
4. Rinçage insuffisant	La pression de l'eau d'alimentation est inférieure à 1,5 bars	S'adresser à l'installateur pour installer une pompe supplémentaire d'augmentation de la pression de l'eau d'alimentation
	Le filtre du robinet d'alimentation de l'eau est engorgé	Laver et rincer le filtre du robinet d'alimentation de l'eau
	Les buses des bras de rinçage sont bouchés	Laver et rincer les buses des bras de rinçage
	Les bras de lavage/rinçage ne tournent pas librement	- Disposer la vaisselle de façon à éviter le contact avec les bras de lavage, en suivant les indications fournies au paragr. 3.4 - DEUXIÈME PARTIE - Laver et rincer le bras de rinçage
5. Le lavage produit trop de mousse	L'excès de liquide de rinçage a produit beaucoup de mousse	S'adresser à l'installateur pour réduire la quantité de liquide de rinçage.
	Faire préalablement tremper la vaisselle avec une lessive inadaptée	Éviter de faire tremper la vaisselle dans des lessives moussantes
6. Le bras de rinçage ne tourne pas librement	Les bras de lavage (fig. 18) heurtent des couverts à laver qui dépassent du panier	Disposer la vaisselle de façon à éviter le contact avec les bras de lavage, en suivant les indications fournies au paragr. 3.4 - DEUXIÈME PARTIE
	Le bras de rinçage nécessite un nettoyage	Laver et rincer le bras de rinçage
7. Le lave-vaisselle ne vidange pas l'eau	Le tuyau de vidange (fig. 21) est bouché ou écrasé	Éliminer l'engorgement du tuyau de vidange
	Le filtre de la pompe de vidange (si la machine en est dotée - fig. 21) est engorgé	Laver et rincer le filtre de la pompe de vidange
	La pompe de vidange ne fonctionne pas	S'adresser à l'installateur pour effectuer le remplacement de la pompe de vidange
	Le cycle de vidange ne démarre pas (uniquement avec pompe de vidange installée)	Vérifier que la porte du lave-vaisselle est bien fermée et nettoyer l'écran tactile

PROBLÈME	CAUSE POSSIBLE	SOLUTION
8. Le résultat du lavage n'est pas satisfaisant	Le lave-vaisselle n'a pas terminé la phase de chauffage de l'eau dans la cuve	Avant de commencer le lavage en tant que tel, attendre que l'eau dans la cuve de lavage ait eu le temps de chauffer. Lorsque l'eau de la cuve est arrivée à la température voulue, le VOYANT DE TEMPÉRATURE DE L'EAU s'allume
	L'eau de la cuve est excessivement sale	Changer l'eau
	Les bras de lavage (fig. 18) heurtent des couverts à laver qui dépassent du panier	Disposer la vaisselle de façon à éviter le contact avec les bras de lavage, en suivant les indications fournies au paragr. 3.4 – DEUXIÈME PARTIE
	Le bras de rinçage nécessite un nettoyage	Laver et rincer le bras de rinçage
	Les buses des bras de rinçage sont bouchés	Laver et rincer les buses des bras de rinçage
	Il manque de la lessive	S'adresser à l'installateur pour augmenter la quantité de liquide de rinçage.
9. La cuve de lavage est pleine de calcaire	Dureté excessive de l'eau à l'entrée	S'adresser à l'installateur pour installer un adoucisseur en amont
		Effectuer le détartrage de la cuve avec des produits spécifiques pour lave-vaisselles industriels. Respecter les instructions fournies par le producteur du détartrant.  ATTENTION ! ATTENTION DANGER DE BRÛLURES DUS AUX ACIDES
10. Présence de taches marron ou de graisse dans la cuve après la vidange	La cuve est sale de café ou de graisse	Augmenter le nombre de remplacements d'eau par jour et s'adresser à l'installateur pour augmenter la quantité de lessive.
11. Points de rouille dans la cuve de lavage	Utilisation d'une lessive à haute teneur en chlore	Changer le type de lessive selon les indications fournies au paragraphe 11. Enlever la rouille avec des produits spécifiques sans rayer la surface de l'acier
	Utilisation d'eau de javel dans la cuve	Ne jamais utiliser d'eau de javel. Enlever la rouille avec des produits spécifiques sans rayer la surface de l'acier
	Introduction dans la cuve de vaisselle lavée au préalable avec de la paille de fer	Lors du pré-lavage manuel, ne jamais utiliser de paille de fer ou de brosses métalliques. Enlever la rouille avec des produits spécifiques sans rayer la surface de l'acier
	Lavage de vaisselle ou d'articles en fer	Ne pas laver d'articles en fer

9.1. Avertissements et alarmes du lave-vaisselle électronique

Pendant le fonctionnement du lave-vaisselle, les avertissements suivants peuvent s'afficher sur l'écran. L'avertissement reste affiché même si la machine est éteinte et l'éclairage de fond d'écran reste actif.

AVERTISSEMENT	DESCRIPTION DE L'ALARME	VÉRIFICATIONS À LA CHARGE DE L'UTILISATEUR FINAL
Entretien nécessaire	Cet avertissement s'affiche à l'échéance du décompte des jours ou bien à l'échéance du décompte des cycles	Demander l'intervention d'un technicien
Sel nécessaire*	Cet avertissement s'affiche quand le niveau de sel diminue dans le réservoir de l'adoucisseur. Géré uniquement pour les machines avec adoucisseur incorporé.	Ajouter le sel dans le réservoir prévu à cet effet.

*Lors du premier remplissage du réservoir de sel, l'avertissement de sel nécessaire peut ne pas disparaître immédiatement.

Il est conseillé de remplir le réservoir du sel avec de l'eau tiède pour accélérer le processus de dissolution du sel. Dès que le sel se dissout, la densité de l'eau change et permet au flotteur à l'intérieur du réservoir de changer de position et de réinitialiser l'avertissement.

Nous indiquons ci-après les alarmes qui peuvent s'afficher à l'écran en cas d'anomalie de fonctionnement.

Toutes les alarmes demeurent actives jusqu'à ce qu'elles s'éteignent et jusqu'au prochain allumage du lave-vaisselle.

Certaines alarmes graves mettent la machine en état de "safe" (blocage total), tandis que d'autres permettent de continuer le travail normal, avec des fonctions limitées.

Si, après avoir effectué les vérifications nécessaires et avoir éteint et rallumé la machine, l'alarme revient, contacter l'assistance technique.

AVERTISSEMENT	DESCRIPTION DE L'ALARME	VÉRIFICATIONS À LA CHARGE DE L'UTILISATEUR FINAL
ER01	Timeout de chargement de la cuve : la cuve n'a pas été chargée dans le temps prévu	Le robinet du réseau d'eau ne distribue pas d'eau. Trop-plein non inséré ou mal inséré. Jets de rinçage bouchés Tuyaux chargement de l'eau étranglé L'adoucisseur en amont ne fonctionne pas
ER02	Timeout de chargement du surchauffeur : le surchauffeur n'a pas été chargé dans le temps maximum prévu.	Le robinet du réseau d'eau ne distribue pas d'eau Tuyaux chargement de l'eau étranglé L'adoucisseur en amont ne fonctionne pas
ER03	Timeout chauffage cuve : la cuve n'a pas été chauffée dans le temps maximum prévu. Le chauffage de la cuve est désactivé	Trop-plein mal inséré. Si le problème persiste, demander l'intervention d'un technicien