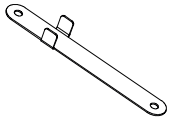
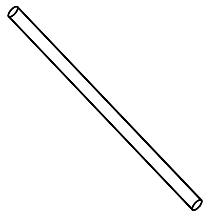


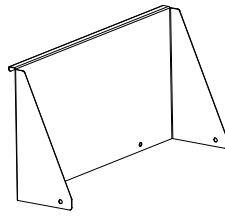
Ax6



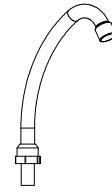
Bx2



Cx1



Dx1



Ex1

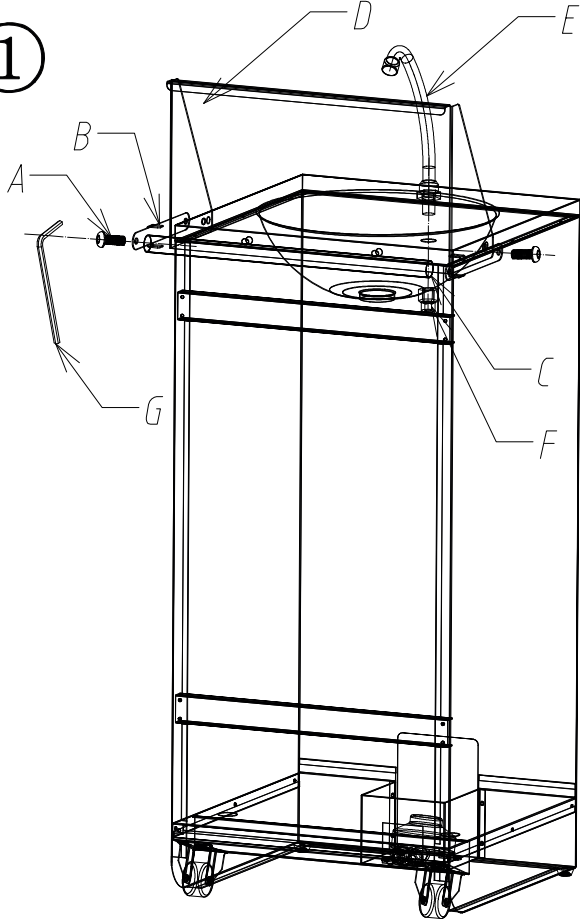


Fx1



Gx1

①



②

