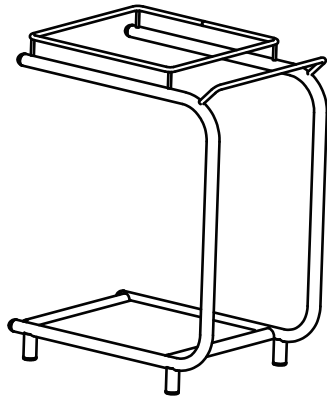


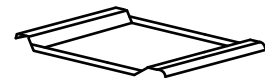
Montage



A x 1



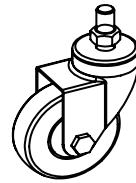
D x 2



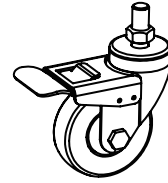
E x 1



K x 1

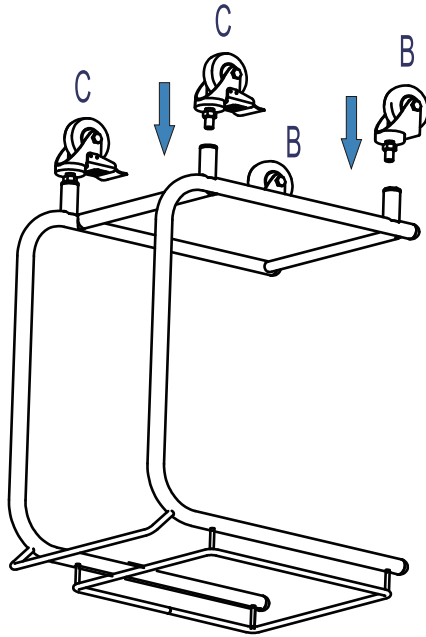


B x 2

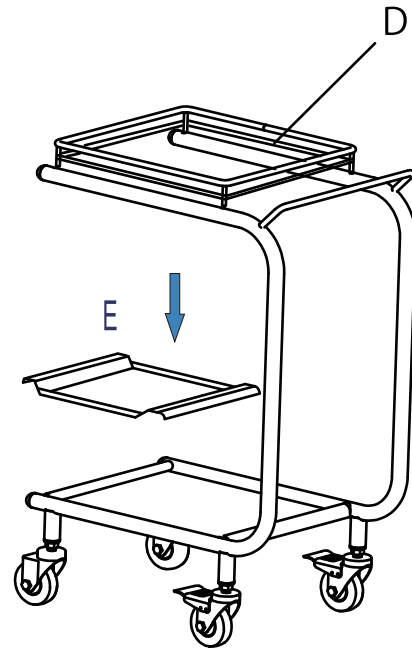


C x 2

1



2



3

