

SELF SERVICE HEATED DISPLAY



CVCSS100L

SAS CASSELIN
83 rue Marcel Merieux 69960 Corbas FRANCE
Tel: +33 (0)4 82 92 60 00 - Email: contact@casselin.com

SUMMARY

1. PRESENTATION

- 1.1 Information
- 1.2 Description of symbols
- 1.3 Copyright
- 1.4 Declaration of conformity
- 1.5 Guarantee

2. SECURITY

- 2.1 General
- 2.2 Intended use
- 2.3 Safety instructions when using the device

3. TRANSPORTATION,PACKAGING AND STORAGE

- 3.1 Inspection after transport
- 3.2 Packaging
- 3.3 Storage

4. MATERIAL CHARACTERISTICS

5. FACILITYAND USE

- 5.1 Safety instructions
- 5.2 Use

6. CLEANINGAND MAINTENANCE

- 6.1 Safety instructions
- 6.2 Cleaning
- 6.3 Maintenance Safety Instructions

7. OPERATING IRREGULARITIES

1. PRESENTATION

1.1 Information

This instruction manual serves as information for all its users. It describes the installation and handling of the device. The safety instructions and technical knowledge of the device are detailed in this manual. They are essential conditions for the proper use of professional equipment.

Each user must scrupulously respect all the instructions for use. This user manual must be kept next to the product for proper use and access to the instructions at all times for each user.

1.2 Description of symbols

Information, advice on use and safety instructions are represented by symbols. It is essential to follow these instructions in order to avoid material damage and bodily injury.

WARNING

This symbol means that a hazard exists that could lead to personal injury. Concentration and caution are imperative to operate this device.

ELECTRICAL HAZARD

This means that there is a danger related to electric current. Failure to follow the instructions can lead to the risk of injury and death.

WARNING

This symbol is used to indicate that non-compliance with the instructions may lead to a breakdown or the destruction of the device.

REMARK

This symbol indicates good practices and advice that must be applied for efficient use of the device.

REMARK

It is essential to read this user manual before commissioning the device. We do not accept any liability for damage and breakdowns resulting from non-compliance with the instructions for use. The Casselin company reserves the right to make any technical, informative or marketing changes to our product without notice.

1.3 Copyright

The user manual is protected by copyright law. Reproductions of any kind and in any form – even partial – as well as the exploitation and/or transmission of its contents are not permitted without our permission. Any violation of these provisions entitles you to damages. Other rights remain reserved.

1.4 Declaration of Conformity

The device corresponds to the current standards and directives of the European Union. We confirm this in the CE declaration of conformity.

1.5 Warranty

The instructions given in this user manual have been drawn up taking into account the regulations in force, current technical development, our knowledge and experience. All translations have been professionally

prepared. However, we decline all responsibility in the event of a translation error. The attached French version is authentic.

2. SECURITY

Safety instructions serve to avert dangers. They are mentioned in the individual chapters and are characterized by symbols. Observance of these guarantees optimum protection against risks and enables ideal operation of the device. The safety instructions must be available and legible on the devices.

2.1 Principles

The safety instructions are established to avoid errors, dangerous uses and breakdowns. Therefore, the device must not be modified or used for improper use. The device is designed according to technical rules currently being developed. This notice must be kept. The appliance must only be used in premises provided for this purpose by a responsible person who is familiar with the operation of the appliance.

2.2 Intended use

The operation of the device and the safety of use are only guaranteed in the event of normal and compliant use of the device. Assembly and technical interventions must be carried out by professionals.

WARNING

Any other use is considered improper. Any charges related to improper use of the device are not admissible and will be forfeited. Proper use corresponds to use described in this user guide. Proper use corresponds to compliance with safety, hygiene, cleaning and maintenance rules.

2.3 Safety instructions when using the device

The indications relating to occupational safety refer to the regulations of the European Union valid at the time of manufacture of the device. For commercial use of the device, the operator undertakes, throughout the duration of its use, to note the conformity of the measures cited in terms of work safety with the current state of the arsenal of advice and to comply with the new regulations.

For countries outside the EU, the laws and provisions of the country must be observed. All environmental protection provisions must also be observed.

WARNING

The device must be handled by people with sufficient physical and intellectual means. People with limited physical and intellectual means must be supervised to use this device. Use prohibited for children and minors (exceptions made within a legal framework provided for by law)

If the device is used by a third party, the instructions for use must be available before any use. Any new user must have read the instructions for use.

The device must only be used in rooms intended for this purpose.

3. TRANSPORT, PACKAGING AND STORAGE

3.1 Inspection after transport

Verification of the absence of damage and the integrity of the device must be carried out upon receipt of the package. In case of identification of damage due to transport, refuse or accept the product delivered only under reserve*. A complaint detailing the defects observed must then be made. The perception of damages is only possible in the event of a complaint formulated within the time limits provided, ie 24-48 hours at the most.

**written on the right paper or digital delivery from the carrier.*

3.2 Packaging

The packaging of the device must be kept in the event of a move, or for a return to the after-sales service. The interior and exterior packaging must be completely removed before using the device. The standards in force in your country concerning the protection of the environment must be respected before destroying the packaging.

3.3. Storage

WARNING

The storage of the device in stock can be done but only in its original closed packaging.

Storage can be carried out under these conditions:

- Storage in a dry, non-humid place
- Sheltered from the sun
- Control of stock for more than 2 months (general condition of the device and all the elements that make it up)
- No material shaking
- Storage in a closed room and not outside.

4. MATERIAL CHARACTERISTICS

* Subject to change

Model	CVCSS100L
Ability	100 Liters
Electrical data	560W / 230V
Dimensions	W 650 x D 467 x H 630
Temperatures	30°C – 90°C
Weight	25.6kg

5. INSTALLATION AND USE

5.1 Safety instructions

⚠ ELECTRICAL HAZARD

Danger due to electric current!

- No contact with heat sources should take place with the electrical cord.
- The cord should not hang over the edge of a table or counter.
- Do not pour water into an appliance that is in operation or still hot.
- The device must be properly connected and comply with the regulations in force.

⚠ WARNING

While operating, the device can reach high temperatures. To avoid burns and accidents, do not use the device if it is malfunctioning, and do not use non-original spare parts.

⚠ ELECTRICAL HAZARD

Danger due to electric current!

If incorrectly installed, the device can be dangerous and cause injury. Before any installation, check the data of the electrical network. Connect the device only when there is compliance. The device must be unpacked and fully checked before connection by a professional.

5.2 Use

⚠ WARNING

The setting up of the device installation and maintenance should only be carried out by professionals.

- Do not leave the appliance running without watching it.
- During use, your hands must be dry.
- Do not move or tilt the device during operation.

MANUAL

COMMISSIONING

The device must be completely removed from its packaging. All guards must be fully withdrawn.

Place the device on a solid, flat surface.

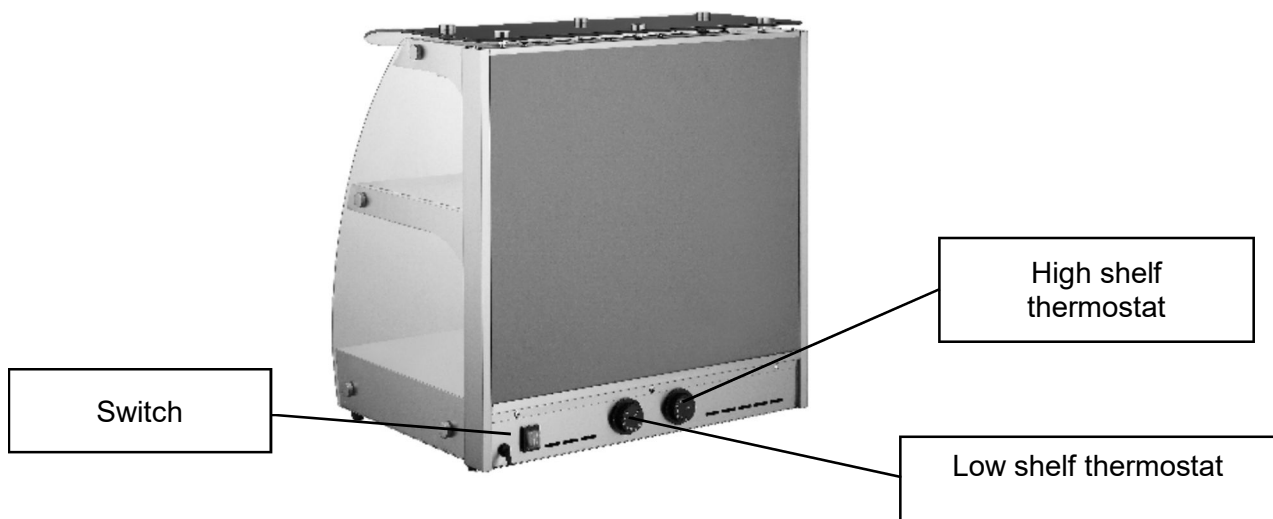
Do not install the showcase in a damp or wet environment.

Do not install the showcase on a flammable surface.

Do not install this device near open fires or other heating devices.

The electrical cable must be protected to at least 16 amps. The device must be plugged directly into a wall outlet. Using a power strip will trip the device.

Clean the window with a soft, damp cloth.



USE

Place the shelves on the slides at the desired height.

Connect the showcase to the power cable. Press the ON/OFF switch.

Adjust the thermostat using the adjustment knob.

Preheat the display case without water in the water tray and without dishes inside to prevent water condensation on the windows when the dishes are placed in the display case.

The indicator in front of the window indicates the temperature reached.

Pour water into the water tray (approximately 0.6 Liter) and place the tray in the location provided for this purpose.

The water tray is used to keep the humidity in the display case to prevent dishes from drying out (especially pastries).

Be sure to check the water level in the tank; add more if necessary.

The filling is done at the front as well as at the back.

Place the dishes contained in suitable containers on the shelves of the display case.

At the end of use, press the switch and unplug the appliance.

REMARK

The appliance is equipped with a safety system in case of overheating. In the event of tripping, unplug the appliance and allow it to cool. If this protection system activates regularly, it is essential to contact your retailer.

After automatic shutdown, the device can only be put into operation by pressing the Reset button on the back of the device. To do this, wait for the temperature to drop, press the Reset button.

⚠ WARNING

Never place dishes directly on the shelves.

When the showcase is in operation, some parts of the appliance become hot.

To avoid any risk of burns, do not touch hot surfaces with bare hands, wear protective gloves.

6. CLEANING AND MAINTENANCE

6.1 Safety instructions

Any maintenance, cleaning, repair of the appliance must be done with the appliance unplugged (isolated from all electrical sources).

The use of caustic detergents and baking soda for cleaning is prohibited. Water must not get inside the device.

Never immerse the appliance in water or any other liquid.

Use the Casselin brand products provided for this purpose.

⚠ WARNING

The device cannot be cleaned with a direct water jet (no pressurized water jet).

6.2 Daily maintenance

Unplug the device

Clean the device with warm water and a clean cloth after each use.

After cleaning, use a soft, dry cloth to polish and dry the device. All parts must be dried.

Store the device in a dry place.

6.3 Safety instructions for the maintenance of the device

Daily check that the power cord is not damaged. Never use the appliance when the cord is damaged. If the cord has any faults, it must be replaced by a qualified technician.

In the event of a fault, contact your dealer.

Any maintenance or repair work should only be carried out by a professional.

REMARK

In the event of a trip, unplug the appliance, let it cool down and contact your retailer. If the unit does not start, check your power cord. The device must not be plugged into a power strip but directly into a wall socket. For any other anomaly, contact your dealer.

REMARK

Waste from used devices: all used devices must, when disposed of, comply with the regulations in force in their country*. It is imperative to make the device unusable before disposal by removing the power supply cable.

in terms of ecology and recycling

7. IRREGULAR OPERATION

ANOMALY	CAUSES	EXPLANATION
The appliance does not work, the heating indicator light does not come on.	<ul style="list-style-type: none"> > The power cable is not plugged in. > The power supply fuse has tripped. > The power supply box does not work. > The safety thermostat has tripped. > The safety thermostat is damaged. 	<ul style="list-style-type: none"> > Connect the power cable properly. > Check all of your fuses. > Check the location of the box. > Press the reset button located in the housing. > Contact your dealer.
The device is on but not heating. The heating indicator lamp remains off.	<ul style="list-style-type: none"> > The safety thermostat has activated. > The resistor no longer works. > Contact with damaged heating element. 	Contact your dealer.
The requested temperature is not reached.	The thermostat is damaged.	Contact your dealer.
The heating element switches off after a certain time.	The safety thermostat has started.	Press the Reset button in the distribution box.

REMARK

The malfunctions mentioned above are only cited as an indication and remain virtual. If you have any doubts, contact your dealer.

VITRINE CHAUFFANTE SELF SERVICE



CVCSS100L

SAS CASSELIN
83 rue Marcel Merieux 69960 Corbas FRANCE
Tél : +33 (0)4 82 92 60 00 - Mail : contact@casselin.com

SOMMAIRE

1. PRÉSENTATION

- 1.1 Informations
- 1.2 Description des symboles
- 1.3 Droits d'auteur
- 1.4 Déclaration de conformité
- 1.5 Garantie

2. SÉCURITÉ

- 2.1 Généralités
- 2.2 Utilisation conforme
- 2.3 Consignes de sécurité lors de l'usage de l'appareil

3. TRANSPORT, EMBALLAGE ET STOCKAGE

- 3.1 Inspection à la suite du transport
- 3.2 Emballage
- 3.3 Stockage

4. CARACTÉRISTIQUES DU MATÉRIEL

5. INSTALLATION ET UTILISATION

- 5.1 Consignes de sécurité
- 5.2 Utilisation

6. NETTOYAGE ET MAINTENANCE

- 6.1 Consignes de sécurité
- 6.2 Nettoyage
- 6.3 Consignes de sécurité relatives à la maintenance

7. IRRÉGULARITÉS DE FONCTIONNEMENT

1. PRÉSENTATION

1.1 Informations

Cette notice d'utilisation sert d'information à tous ses utilisateurs. Elle décrit l'installation et la manipulation de l'appareil. Les consignes de sécurité et les connaissances techniques de l'appareil sont détaillées dans cette notice. Elles sont des conditions indispensables à une bonne utilisation du matériel professionnel. Chaque utilisateur doit respecter scrupuleusement toutes les consignes d'utilisation. Cette notice d'utilisation doit être conservée à côté du produit pour un usage adéquat et une accession aux consignes en permanence pour chaque utilisateur.

1.2 Description des symboles

Les informations, les conseils d'utilisation et les consignes de sécurité sont représentés par des symboles. Il est indispensable de respecter ces consignes afin d'éviter des dommages matériels et corporels.

AVERTISSEMENT

Ce symbole signifie qu'il existe un danger pouvant entraîner des blessures. Concentration et prudence sont impératives pour exploiter cet appareil.

DANGER ELECTRIQUE

Cela signifie qu'il existe un danger lié au courant électrique. Le non-respect des consignes peut entraîner des risques de blessures et de mort.

ATTENTION

Ce symbole est utilisé pour indiquer que le non-respect de la consigne peut entraîner une panne ou la destruction de l'appareil.

REMARQUE

Ce symbole indique les bonnes pratiques et les conseils qui doivent être appliqués pour une utilisation efficace de l'appareil.

REMARQUE

La lecture de cette notice d'utilisation est impérative avant la mise en service de l'appareil. Nous n'acceptons aucune responsabilité en cas de dommage et de pannes résultant du non-respect de la notice d'utilisation. La société Casselin se réserve le droit d'apporter toutes modifications qu'elles soient de caractères techniques, informatives et marketing sur notre produit sans préavis.

1.3 Droits d'auteur

La notice d'utilisation est protégée par la loi sur les droits d'auteur. Les reproductions de tous types et de toutes formes – même partielles – ainsi que l'exploitation et/ou la transmission de son contenu ne sont pas permises sans notre autorisation. Toute violation de ces dispositions ouvre droit à des dommages et intérêts. Les autres droits demeurent réservés.

1.4 Déclaration de conformité

L'appareil correspond aux normes et directives actuelles de l'Union européenne. Nous l'attestons dans la déclaration de conformité CE.

Les consignes indiquées sur cette notice d'utilisation ont été établies en tenant compte des prescriptions en vigueur, du développement technique actuel, de nos connaissances et expérience. Toutes les traductions ont été établies avec professionnalisme. Cependant, nous déclinons toute responsabilité en cas d'erreur de traduction. La version française ci-jointe fait foi.

2. SÉCURITÉ

Les consignes de sécurité servent à écarter les dangers. Elles sont mentionnées dans les chapitres individuels et sont caractérisées par des symboles. Leur respect garantit une protection optimale contre les risques et permet un fonctionnement idéal de l'appareil. Les consignes de sécurité doivent être disponibles et lisibles sur les appareils.

2.1 Principes

Les consignes de sécurité sont établies pour éviter les erreurs, les usages dangereux et les pannes. Par conséquent, l'appareil ne doit être ni transformé, ni servir à une utilisation inappropriée. L'appareil est conçu d'après des règles techniques élaborées actuellement. Cette notice doit être impérativement conservée. L'appareil doit être utilisé dans des locaux prévus à cet effet et uniquement par une personne responsable ayant connaissance du fonctionnement de l'appareil.

2.2 Utilisation conforme

Le fonctionnement de l'appareil et la sécurité d'utilisation ne sont garantis qu'en cas d'un usage normal et conforme de celui-ci. Le montage et les interventions techniques doivent être effectués par des professionnels.

ATTENTION

Toute autre utilisation est considérée comme non conforme. Toute accusation liée à une utilisation non conforme de l'appareil n'est pas recevable et sera caduque. Une utilisation conforme correspond à une utilisation décrite dans cette notice d'utilisation. Une utilisation conforme correspond au respect des règles de sécurité, d'hygiène, de nettoyage et de maintenance.

2.3 Consignes de sécurité lors de l'usage de l'appareil

Les indications afférentes à la sécurité du travail se réfèrent aux ordonnances de l'Union européenne valables au moment de la fabrication de l'appareil. Pour un usage commercial de l'appareil, l'exploitant s'engage, durant toute la durée de son utilisation, à constater la conformité des mesures citées en matière de sécurité du travail avec l'état actuel de l'arsenal de conseils et à respecter les nouvelles prescriptions. Pour les pays hors UE, les lois et dispositions du pays doivent être respectées. Toutes les dispositions de protection de l'environnement doivent être également respectées.

ATTENTION

L'appareil doit être manipulé par des personnes aux moyens physiques et intellectuels suffisants. Les personnes ayant des moyens physiques et intellectuels limités doivent être encadrées pour utiliser cet appareil. Usage interdit aux enfants et personnes mineurs (exceptions faites dans un encadrement légal prévu par la loi)

En cas d'utilisation de l'appareil par une tierce personne, la notice d'utilisation doit être disponible avant tout usage. Tout nouvel utilisateur doit avoir lu la notice d'utilisation.

L'appareil ne doit être utilisé que dans des locaux prévus à cet effet.

3. TRANSPORT, EMBALLAGE ET STOCKAGE

3.1 Inspection à la suite du transport

La vérification d'absence de dommage et de l'intégralité de l'appareil doit être effectuée à réception du colis. En cas d'identification de dommages dus au transport, refuser ou accepter le produit livré uniquement sous réserve*. Une réclamation détaillant les défauts constatés devra par la suite être réalisée. La perception de dommages n'est possible qu'en cas de réclamation formulée dans les délais prévus soit 24-48 heures au maximum.

**écrite sur les bons papiers ou numérique de livraison du transporteur.*

3.2 Emballage

L'emballage de l'appareil doit être conservé en cas de déménagement, ou pour un retour au service après-vente. L'emballage intérieur et extérieur devra être intégralement retiré avant utilisation de l'appareil. Les normes en vigueur dans votre pays concernant la protection de l'environnement doivent impérativement être respectées avant destruction de l'emballage.

3.3. Stockage

ATTENTION

La conservation de l'appareil en stock peut se faire mais uniquement dans son emballage d'origine fermé. Le stockage peut être effectué en respectant ces conditions :

- Stockage dans un local sec et non humide
- A l'abri du soleil
- Contrôle du stock supérieur à 2 mois (état général de l'appareil et tous les éléments le constituant)
- Pas de secousse du matériel
- Stockage en local fermé et non extérieur.

4. CARACTÉRISTIQUES DU MATÉRIEL

* Sous réserve de modifications

Modèle	CVCSS100L
Capacité	100 Litres
Données électrique	560 W / 230 V
Dimensions	L 650 x P 467 x H 630
Températures	30°C – 90°C
Poids	25.6 Kg

5. INSTALLATION ET UTILISATION

5.1 Consignes de sécurité

⚠ DANGER ELECTRIQUE

Risque lié au courant électrique !

- Aucun contact avec des sources de chaleur ne doit avoir lieu avec le cordon électrique.
- Le cordon ne doit pas pendre du bord d'une table ou d'un comptoir.
- Ne pas verser d'eau dans un l'appareil en fonctionnement ou encore chaud.
- L'appareil doit être branché de façon adéquate et conforme aux réglementations en vigueur.

⚠ AVERTISSEMENT

En fonctionnant, l'appareil peut atteindre des températures élevées. Pour éviter les brûlures et les accidents, ne pas utiliser l'appareil en dysfonctionnement, et ne pas utiliser des pièces détachées qui ne pas d'origines.

⚠ DANGER ELECTRIQUE

Risque lié au courant électrique !

En cas de mauvaise installation, l'appareil peut être dangereux et causer des blessures. Avant toute installation, vérifier les données du réseau électrique. Brancher l'appareil uniquement lorsqu'il y a conformité. L'appareil doit être déballé et vérifié entièrement avant le branchement par un professionnel.

5.2 Utilisation

⚠ AVERTISSEMENT

La mise en place de l'installation de l'appareil et la maintenance doivent être effectuées uniquement par des professionnels.

- Ne pas laisser l'appareil en marche sans le surveiller.
- Pendant l'utilisation, vos mains doivent être sèches.
- Ne pas bouger ou pencher l'appareil pendant le fonctionnement.

MODE D'EMPLOI

MISE EN SERVICE

L'appareil doit être retiré complètement de son emballage. Toutes les protections doivent être entièrement retirées.

Placer l'appareil sur une surface solide et plate.

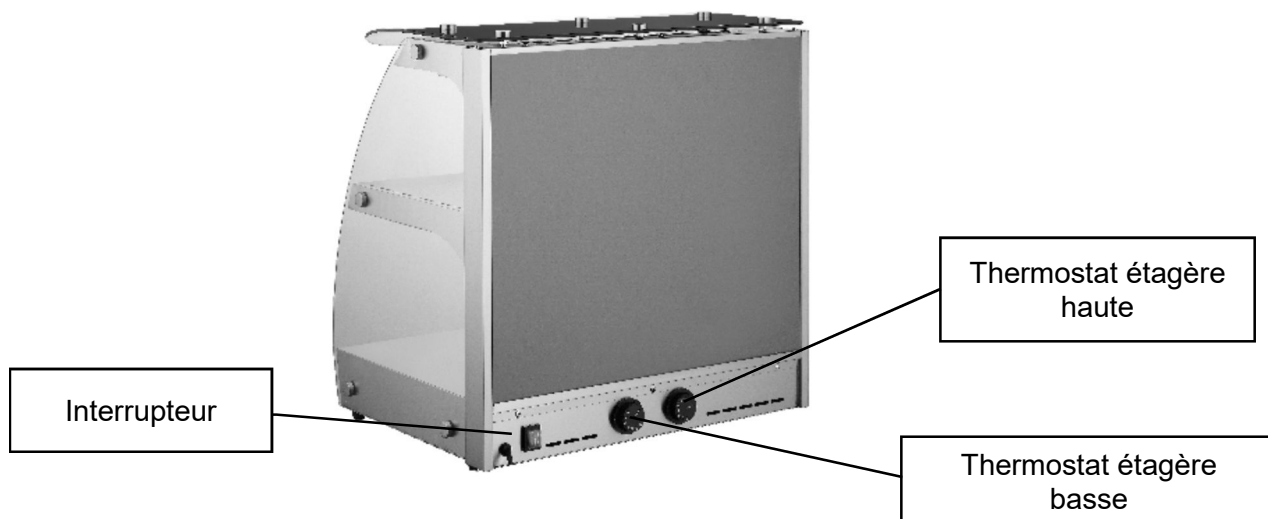
Ne pas installer la vitrine dans un environnement humide ou mouillé.

Ne pas installer la vitrine sur une surface inflammable.

Ne pas installer cet appareil à proximité de feux ouverts, ou autres appareils de chauffage.

Le câble électrique doit être protégé à au moins 16 ampères. L'appareil doit être branche directement à une prise murale. L'utilisation d'une multiprise fera disjoncter l'appareil.

Procéder au nettoyage de la vitrine à l'aide d'un chiffon souple et humide.



UTILISATION

Placer les étagères sur les glissières à la hauteur souhaitée.

Brancher la vitrine au câble d'alimentation. Appuyer sur l'interrupteur ON/OFF.

Régler le thermostat à l'aide de la molette de réglage.

Préchauffer la vitrine sans eau dans le bac à eau et sans plats à l'intérieur afin d'empêcher la condensation d'eau sur les vitres lorsque l'on introduit les plats dans la vitrine.

L'indicateur présent devant la vitrine indique la température atteinte.

Verser de l'eau dans le bac à eau (environ 0.6 Litre) et placer le bac à l'emplacement prévu à cet effet.

Le bac à eau sert à conserver l'humidité dans la vitrine pour empêcher le dessèchement des plats (particulièrement les pâtisseries).

Veillez à contrôler le niveau d'eau dans le bac ; en ajouter si nécessaire.

Le remplissage se fait à l'avant comme à l'arrière.

Placer les plats contenus dans des récipients adaptés sur les étagères de la vitrine.

A la fin de l'utilisation, appuyer sur l'interrupteur et débrancher l'appareil.

REMARQUE

L'appareil est doté d'un système de sécurité en cas de surchauffe. En cas de déclenchement, débrancher l'appareil et laisser ce dernier refroidir. Si ce système de protection se met en marche régulièrement, il est impératif de prendre contact avec votre revendeur.

Après l'arrêt automatique, l'appareil ne peut être mis en service qu'en appuyant sur la touche Reset située à l'arrière de l'appareil pour cela, attendre que la température baisse, appuyer sur la touche Reset.

AVERTISSEMENT

Ne jamais placer les plats directement sur les étagères.

Lorsque la vitrine est en marche, certaines pièces de l'appareil deviennent chaudes.

Afin d'éviter tout risque de brûlure, ne pas toucher les surfaces chaudes à mains nues, porter des gants de protection.

6. NETTOYAGE ET MAINTENANCE

6.1 Consignes de sécurité

Tout entretien, nettoyage, réparation de l'appareil doit se faire avec un appareil débranché (isolé de toutes sources électrique).

L'utilisation de détergents caustiques et de bicarbonate de soude pour le nettoyage est interdite. L'eau ne doit pas pénétrer à l'intérieur de l'appareil.

Ne jamais plonger l'appareil dans de l'eau ou autre liquide.

Utilisez les produits de marque Casselin prévus à cet effet.

AVERTISSEMENT

L'appareil ne peut pas être nettoyé par jet d'eau direct (pas de jet d'eau sous pression).

6.2 Entretien quotidien

Débranchez l'appareil

Nettoyer l'appareil à l'aide d'eau chaude et d'un chiffon propre après chaque utilisation

Après le nettoyage, utiliser un chiffon doux et sec pour polir et sécher l'appareil. Toutes les pièces doivent être séchées.

Ranger l'appareil dans un endroit sec.

6.3 Consignes de sécurité sur la maintenance de l'appareil

Vérification quotidienne de l'absence d'endommagement au niveau du cordon secteur. Ne jamais utiliser l'appareil lorsque le cordon est endommagé. Si le cordon présente des défauts, celui-ci doit être remplacé par un technicien qualifié.

En cas de panne, adressez-vous à votre revendeur.

Toute intervention de maintenance ou de réparation ne doit être effectuée que par un professionnel.

FR

REMARQUE

En cas de disjonction, débranchez l'appareil, le laissez le refroidir et contactez votre revendeur. Si l'appareil de démarre pas, vérifiez votre cordon d'alimentation. L'appareil ne doit pas être branché sur une multiprise mais directement à une prise murale. Pour toute autre anomalie, contactez votre revendeur.

REMARQUE

Déchets des appareils usagés : tout appareil usagé doit, lors de son élimination, respecter la réglementation en vigueur de son pays*. Il est impératif de rendre l'appareil inutilisable avant son élimination en retirant le câble d'alimentation électrique.

en matière d'écologie et de recyclage

7. IRREGULARITE DE FONCTIONNEMENT

ANOMALIE	CAUSES	EXPLICATION
L'appareil ne fonctionne pas, la lampe témoin de chauffe ne s'allume pas.	<ul style="list-style-type: none">> Le câble d'alimentation n'est pas branché.> Le fusible de l'alimentation électrique s'est déclenché.> Le boîtier d'alimentation électrique ne fonctionne pas.> Le thermostat de sécurité s'est déclenché.> Le thermostat de sécurité est endommagé.	<ul style="list-style-type: none">> Branchez le câble d'alimentation convenablement.> Vérifiez l'ensemble de vos fusibles.> Vérifiez l'emplacement du boîtier.> Appuyez sur le bouton reset situé dans le boîtier.> Contactez votre revendeur.
L'appareil est allumé mais il ne chauffe pas. La lampe témoin de chauffe reste éteinte.	<ul style="list-style-type: none">> Le thermostat de sécurité s'est mis en marche.> La résistance ne fonctionne plus.> Contact avec l'élément chauffant endommagé.	Contactez votre revendeur.
La température demandée n'est pas atteinte.	Le thermostat est endommagé.	Contactez votre revendeur.
L'élément chauffant s'arrête après un certain temps.	Le thermostat de sécurité s'est mis en route.	Appuyez sur le bouton Reset dans le boîtier de distribution.

REMARQUE

Les dysfonctionnements mentionnés ci-dessus ne sont cités qu'à titre indicatif et reste virtuels. Pour toute hésitation, contactez votre revendeur.

BEHEIZTES SELBSTBEDIENUNGSDISPLAY



CVCSS100L

SAS CASSELIN
83 rue Marcel Merieux 69960 Corbas FRANKREICH
Tel: +33 (0)4 82 92 60 00 - E-Mail: contact@casselin.com

1. PRÄSENTATION

- 1.1 Information
- 1.2 Beschreibung der Symbole
- 1.3 Urheberrechte ©
- 1.4 Konformitätserklärung
- 1.5 Garantie

2. SICHERHEIT

- 2.1 Allgemein
- 2.2 Verwendungszweck
- 2.3 Sicherheitshinweise bei der Verwendung des Geräts

3. TRANSPORT, VERPACKUNG UND LAGERUNG

- 3.1 Inspektion nach dem Transport
- 3.2 Verpackung
- 3.3 Lagerung

4. MATERIAL-EIGENSCHAFTEN

5. EINRICHTUNG UND NUTZEN

- 5.1 Sicherheitshinweise
- 5.2 Verwenden

6. REINIGUNG UND WARTUNG

- 6.1 Sicherheitshinweise
- 6.2 Reinigung
- 6.3 Sicherheitshinweise für die Wartung

7. BETRIEBSUNREGELMÄSSIGKEITEN

1. PRÄSENTATION

1.1 Informationen

Diese Bedienungsanleitung dient als Information für alle Benutzer. Es beschreibt die Installation und Handhabung des Gerätes. Die Sicherheitshinweise und technischen Kenntnisse des Geräts sind in dieser Anleitung aufgeführt. Sie sind wesentliche Voraussetzungen für den bestimmungsgemäßen Gebrauch professioneller Geräte.

Jeder Benutzer muss alle Gebrauchsanweisungen gewissenhaft befolgen. Dieses Benutzerhandbuch muss neben dem Produkt aufbewahrt werden, damit jeder Benutzer jederzeit auf die Anweisungen zugreifen kann, um es ordnungsgemäß verwenden zu können.

1.2 Beschreibung der Symbole

Informationen, Anwendungshinweise und Sicherheitshinweise sind durch Symbole dargestellt. Befolgen Sie diese Hinweise unbedingt, um Sach- und Personenschäden zu vermeiden.

WARNUNG

Dieses Symbol bedeutet, dass eine Gefahr besteht, die zu Personenschäden führen kann. Konzentration und Vorsicht sind bei der Bedienung dieses Geräts unerlässlich.

ELEKTRISCHE GEFAHR

Dies bedeutet, dass eine Gefahr durch elektrischen Strom besteht. Die Nichtbeachtung der Anweisungen kann zu Verletzungs- und Todesgefahr führen.

WARNUNG

Dieses Symbol wird verwendet, um darauf hinzuweisen, dass die Nichtbeachtung der Hinweise zum Ausfall oder zur Zerstörung des Gerätes führen kann.

ANMERKUNG

Dieses Symbol weist auf bewährte Praktiken und Ratschläge hin, die für eine effiziente Verwendung des Geräts befolgt werden müssen.

ANMERKUNG

Lesen Sie unbedingt diese Bedienungsanleitung, bevor Sie das Gerät in Betrieb nehmen. Für Schäden und Betriebsstörungen, die durch Nichtbeachtung der Gebrauchsanweisung entstehen, übernehmen wir keine Haftung. Die Firma Casselin behält sich das Recht vor, technische, informative oder Marketing-Änderungen an unserem Produkt ohne Vorankündigung vorzunehmen.

1.3 Urheberrecht

Das Benutzerhandbuch ist urheberrechtlich geschützt. Reproduktionen jeglicher Art und in jeglicher Form – auch auszugsweise – sowie die Verwertung und/oder Weitergabe ihres Inhalts sind ohne unsere Zustimmung nicht gestattet. Jeder Verstoß gegen diese Bestimmungen berechtigt Sie zu Schadensersatz. Andere Rechte bleiben vorbehalten.

1.4 Konformitätserklärung

Das Gerät entspricht den aktuellen Normen und Richtlinien der Europäischen Union. Dies bestätigen wir in der CE-Konformitätserklärung.

1.5 Gewährleistung

Die Hinweise in dieser Bedienungsanleitung wurden unter Berücksichtigung der geltenden Vorschriften, des Stands der Technik sowie unserer Kenntnisse und Erfahrungen zusammengestellt. Alle Übersetzungen wurden professionell angefertigt. Wir lehnen jedoch jegliche Verantwortung im Falle eines Übersetzungsfehlers ab. Die beigelegte französische Version ist verbindlich.

2. SICHERHEIT

Sicherheitshinweise dienen der Gefahrenabwehr. Sie werden in den einzelnen Kapiteln erwähnt und durch Symbole gekennzeichnet. Ihre Beachtung garantiert einen optimalen Schutz vor Gefahren und ermöglicht einen optimalen Betrieb des Gerätes. Die Sicherheitshinweise müssen an den Geräten vorhanden und lesbar sein.

2.1 Grundsätze

Die Sicherheitshinweise wurden erstellt, um Fehler, gefährliche Verwendungen und Ausfälle zu vermeiden. Daher darf das Gerät nicht verändert oder zweckentfremdet verwendet werden. Das Gerät ist nach den in Entwicklung befindlichen Regeln der Technik ausgelegt. Dieser Hinweis ist aufzubewahren. Das Gerät darf nur in dafür vorgesehenen Räumen von einer verantwortlichen Person, die mit der Bedienung des Gerätes vertraut ist, verwendet werden.

2.2 Bestimmungsgemäße Verwendung

Der Betrieb des Gerätes und die Gebrauchssicherheit sind nur bei normaler und bestimmungsgemäßer Verwendung des Gerätes gewährleistet. Montage und technische Eingriffe müssen von Fachleuten durchgeführt werden.

WARNUNG

Jede andere Verwendung gilt als nicht bestimmungsgemäß. Jegliche Gebühren im Zusammenhang mit unsachgemäßer Verwendung des Gerätes sind nicht zulässig und verfallen. Die bestimmungsgemäße Verwendung entspricht der in dieser Bedienungsanleitung beschriebenen Verwendung. Die bestimmungsgemäße Verwendung entspricht der Einhaltung der Sicherheits-, Hygiene-, Reinigungs- und Wartungsvorschriften.

2.3 Sicherheitshinweise zum Umgang mit dem Gerät

Die Angaben zum Arbeitsschutz beziehen sich auf die zum Zeitpunkt der Herstellung des Gerätes gültigen Vorschriften der Europäischen Union. Bei gewerblicher Nutzung des Gerätes verpflichtet sich der Betreiber, während der gesamten Nutzungsdauer die Konformität der genannten Maßnahmen zur Arbeitssicherheit mit dem aktuellen Stand der Beratungspraxis zu beachten und die neuen Vorschriften einzuhalten. Für Länder außerhalb der EU sind die Gesetze und Bestimmungen des Landes zu beachten. Außerdem sind alle Umweltschutzbestimmungen einzuhalten.

WARNUNG

Das Gerät darf nur von Personen gehandhabt werden, die über ausreichende körperliche und geistige Möglichkeiten verfügen. Personen mit eingeschränkten körperlichen und geistigen Möglichkeiten müssen bei der Verwendung dieses Gerätes beaufsichtigt werden. Nutzung verboten für Kinder und Minderjährige (Ausnahmen im gesetzlich vorgesehenen Rahmen)
Wird das Gerät von Dritten verwendet, muss die Gebrauchsanweisung vor jeder Verwendung verfügbar sein. Jeder neue Benutzer muss die Gebrauchsanweisung gelesen haben.
Das Gerät darf nur in dafür vorgesehenen Räumen verwendet werden.

3. TRANSPORT, VERPACKUNG UND LAGERUNG

3.1 Inspektion nach dem Transport

Die Überprüfung der Unbeschädigtheit und Unversehrtheit des Gerätes muss bei Erhalt der Verpackung erfolgen. Bei Feststellung von Transportschäden verweigern oder nehmen Sie die gelieferte Ware nur unter Vorbehalt* an. Anschließend ist eine Reklamation mit Angabe der festgestellten Mängel vorzunehmen. Die Geltendmachung von Schäden ist nur im Falle einer Reklamation möglich, die innerhalb der vorgesehenen Fristen, dh höchstens 24-48 Stunden, formuliert wird.

**geschrieben auf dem richtigen Papier oder digitale Lieferung vom Spediteur.*

3.2 Verpackung

Bei einem Umzug oder einer Rücksendung an den Kundendienst ist die Verpackung des Gerätes aufzubewahren. Die Innen- und Außenverpackung muss vor Gebrauch des Gerätes vollständig entfernt werden. Die in Ihrem Land geltenden Umweltschutznormen müssen eingehalten werden, bevor die Verpackung zerstört wird.

3.3. Lagerung

WARNUNG

Die Lagerung des Gerätes auf Lager kann jedoch nur in der verschlossenen Originalverpackung erfolgen. Die Speicherung kann unter diesen Bedingungen erfolgen:

- Lagerung an einem trockenen, nicht feuchten Ort
- Geschützt vor der Sonne
- Bestandskontrolle für mehr als 2 Monate (allgemeiner Zustand des Geräts und aller Elemente, aus denen es besteht)
- Kein Schütteln des Materials
- Lagerung in einem geschlossenen Raum und nicht im Freien.

4. MATERIALEIGENSCHAFTEN

* Änderungen vorbehalten

Modell	CVCSS100L
Fähigkeit	100 Liter
Elektrische Daten	560W / 230V
Maße	B 650 x T 467 x H 630
Temperaturen	30 °C – 90 °C
Gewicht	25,6 kg

5. INSTALLATION UND VERWENDUNG

5.1 Sicherheitshinweise



ELEKTRISCHE GEFAHR

Gefahr durch elektrischen Strom!

- Mit dem Netzkabel darf kein Kontakt mit Wärmequellen stattfinden.
- Das Kabel sollte nicht über die Kante eines Tisches oder Tresens hängen.
- Gießen Sie kein Wasser in ein in Betrieb befindliches oder noch heißes Gerät.
- Das Gerät muss ordnungsgemäß angeschlossen sein und den geltenden Vorschriften entsprechen.



WARNUNG

Während des Betriebs kann das Gerät hohe Temperaturen erreichen. Um Verbrennungen und Unfälle zu vermeiden, verwenden Sie das Gerät nicht, wenn es nicht richtig funktioniert, und verwenden Sie keine Nicht-Original-Ersatzteile.



ELEKTRISCHE GEFAHR

Gefahr durch elektrischen Strom!

Bei falscher Installation kann das Gerät gefährlich sein und Verletzungen verursachen. Überprüfen Sie vor jeder Installation die Daten des Stromnetzes. Schließen Sie das Gerät nur bei Übereinstimmung an. Das Gerät muss vor dem Anschluss von einem Fachmann ausgepackt und vollständig überprüft werden.

5.2 Verwendung



WARNUNG

Die Einrichtung des Gerätes, Installation und Wartung sollte nur von Fachleuten durchgeführt werden.

- Lassen Sie das Gerät nicht unbeobachtet laufen.
- Während des Gebrauchs müssen Ihre Hände trocken sein.
- Bewegen oder kippen Sie das Gerät während des Betriebs nicht.

HANDBUCH

INBETRIEBNAHME

Das Gerät muss vollständig aus der Verpackung genommen werden. Alle Wachen müssen vollständig sein zurückgezogen.

Stellen Sie das Gerät auf eine feste, ebene Fläche.

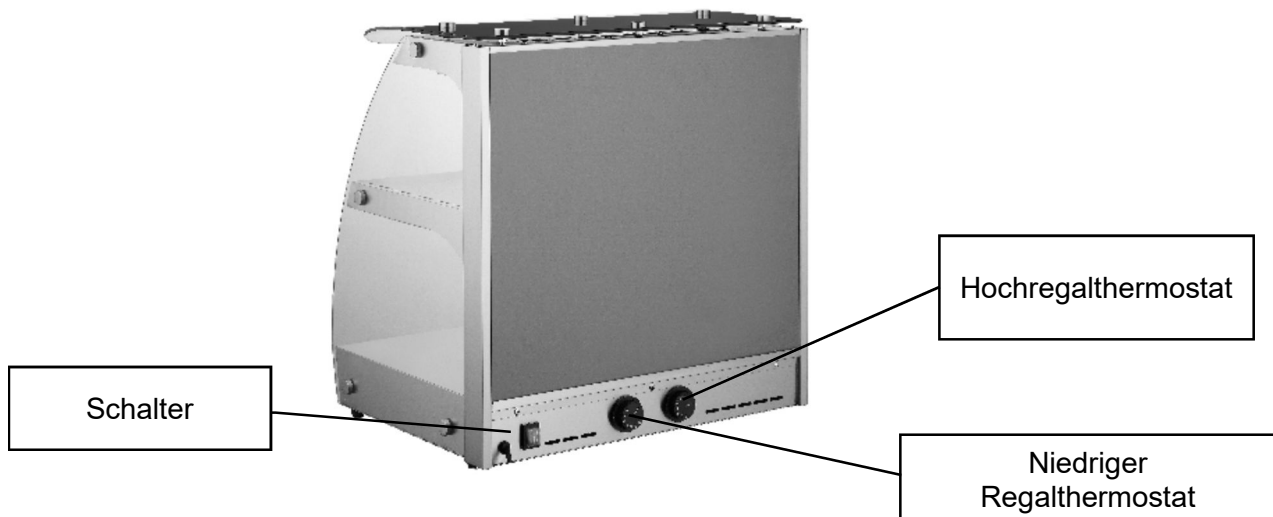
Installieren Sie die Vitrine nicht in einer feuchten oder nassen Umgebung.

Installieren Sie die Vitrine nicht auf einer brennbaren Oberfläche.

Installieren Sie dieses Gerät nicht in der Nähe von offenem Feuer oder anderen Heizgeräten.

Das elektrische Kabel muss mit mindestens 16 Ampere geschützt sein. Das Gerät muss direkt an eine Wandsteckdose angeschlossen werden. Bei Verwendung einer Steckdosenleiste wird das Gerät ausgelöst.

Reinigen Sie das Fenster mit einem weichen, feuchten Tuch.



VERWENDEN

Legen Sie die Regale in der gewünschten Höhe auf die Schienen.

Verbinden Sie die Vitrine mit dem Netzkabel. Drücken Sie den EIN/AUS-Schalter.

Stellen Sie den Thermostat mit dem Einstellknopf ein.

Heizen Sie die Vitrine ohne Wasser in der Wasserwanne und ohne Geschirr vor, um eine Kondenswasserbildung an den Fenstern zu vermeiden, wenn das Geschirr in die Vitrine gestellt wird.

Die Anzeige vor dem Fenster zeigt die erreichte Temperatur an.

Gießen Sie Wasser in die Wasserschale (ca. 0,6 Liter) und stellen Sie die Schale an die dafür vorgesehene Stelle.

Die Wasserschale dient dazu, die Feuchtigkeit in der Vitrine zu halten, um ein Austrocknen von Geschirr (insbesondere Gebäck) zu verhindern.

Achten Sie darauf, den Wasserstand im Tank zu überprüfen; fügen Sie bei Bedarf weitere hinzu.

Die Füllung erfolgt sowohl vorne als auch hinten.

Stellen Sie das in geeigneten Behältern enthaltene Geschirr auf die Regale der Vitrine.

Am Ende des Gebrauchs den Schalter drücken und das Gerät ausstecken.

ANMERKUNG

Das Gerät ist mit einem Sicherheitssystem im Falle einer Überhitzung ausgestattet. Im Falle einer Stolperfalle das Gerät ausstecken und abkühlen lassen. Wenn dieses Schutzsystem regelmäßig aktiviert wird, wenden Sie sich unbedingt an Ihren Händler.

Nach automatischer Abschaltung kann das Gerät nur noch durch Drücken der Reset-Taste auf der Geräterückseite in Betrieb genommen werden. Warten Sie dazu, bis die Temperatur sinkt, und drücken Sie die Reset-Taste.

WARNUNG

Stellen Sie Geschirr niemals direkt auf die Ablagen.

Wenn die Vitrine in Betrieb ist, werden einige Geräteteile heiß.

Um Verbrennungen zu vermeiden, heiße Oberflächen nicht mit bloßen Händen berühren, Schutzhandschuhe tragen.

6. REINIGUNG UND WARTUNG

6.1 Sicherheitshinweise

Alle Wartungs-, Reinigungs- und Reparaturarbeiten am Gerät müssen bei abgestecktem Gerät (isoliert von allen Stromquellen) durchgeführt werden.

Die Verwendung von ätzenden Reinigungsmitteln und Natron zur Reinigung ist verboten. Es darf kein Wasser in das Gerät eindringen.

Tauchen Sie das Gerät niemals in Wasser oder andere Flüssigkeiten.

Verwenden Sie hierfür die bereitgestellten Produkte der Marke Casselin.

WARNUNG

Das Gerät kann nicht mit einem direkten Wasserstrahl (kein Druckwasserstrahl) gereinigt werden.

6.2 Tägliche Wartung

Trennen Sie das Gerät ab

Reinigen Sie das Gerät nach jedem Gebrauch mit warmem Wasser und einem sauberen Tuch.

Verwenden Sie nach der Reinigung ein weiches, trockenes Tuch, um das Gerät zu polieren und zu trocknen.

Alle Teile müssen getrocknet sein.

Lagern Sie das Gerät an einem trockenen Ort.

6.3 Sicherheitshinweise zur Wartung des Gerätes

Überprüfen Sie täglich, dass das Netzkabel nicht beschädigt ist. Verwenden Sie das Gerät niemals, wenn das Kabel beschädigt ist. Wenn das Kabel irgendwelche Fehler aufweist, muss es von einem qualifizierten Techniker ersetzt werden.

Wenden Sie sich im Fehlerfall an Ihren Händler.

Alle Wartungs- oder Reparaturarbeiten sollten nur von einem Fachmann durchgeführt werden.

ANMERKUNG

Ziehen Sie im Falle einer Reise den Netzstecker, lassen Sie es abkühlen und wenden Sie sich an Ihren Händler. Wenn das Gerät nicht startet, überprüfen Sie Ihr Netzkabel. Das Gerät darf nicht an eine Steckdose, sondern direkt an eine Wandsteckdose angeschlossen werden. Wenden Sie sich bei anderen Anomalien an Ihren Händler.

ANMERKUNG

Abfall von gebrauchten Geräten: Alle gebrauchten Geräte müssen bei der Entsorgung den in ihrem Land geltenden Vorschriften entsprechen*. Machen Sie das Gerät vor der Entsorgung unbedingt unbrauchbar, indem Sie das Netzkabel entfernen.

in Sachen Ökologie und Recycling

7. UNREGELMÄßIGER BETRIEB

ANOMALIE	URSACHEN	ERLÄUTERUNG
Das Gerät funktioniert nicht, die Heizkontrollleuchte leuchtet nicht.	<ul style="list-style-type: none"> > Das Netzkabel ist nicht eingesteckt. > Die Sicherung der Stromversorgung hat ausgelöst. > Die Netzteilbox funktioniert nicht. > Der Sicherheitsthermostat hat ausgelöst. > Der Sicherheitsthermostat ist beschädigt. 	<ul style="list-style-type: none"> > Schließen Sie das Netzkabel richtig an. > Überprüfen Sie alle Ihre Sicherungen. > Überprüfen Sie die Position der Box. > Drücken Sie die im Gehäuse befindliche Reset-Taste. > Wenden Sie sich an Ihren Händler.
Das Gerät ist eingeschaltet, heizt aber nicht. Die Heizkontrollleuchte bleibt aus.	<ul style="list-style-type: none"> > Der Sicherheitsthermostat hat angesprochen. > Der Widerstand funktioniert nicht mehr. > Kontakt mit beschädigtem Heizelement. 	Wenden Sie sich an Ihren Händler.
Die gewünschte Temperatur wird nicht erreicht.	Der Thermostat ist beschädigt.	Wenden Sie sich an Ihren Händler.
Das Heizelement schaltet nach einer bestimmten Zeit ab.	Der Sicherheitsthermostat hat gestartet.	Drücken Sie die Reset-Taste im Verteilerkasten.

ANMERKUNG

Die oben genannten Störungen werden nur als Anhaltspunkt genannt und bleiben virtuell. Wenden Sie sich im Zweifelsfall an Ihren Händler.

MOSTRADOR CALENTADO DE AUTOSERVICIO



CVCSS100L

RESUMEN

1. PRESENTACIÓN

- 1.1 Información
- 1.2 Descripción de los símbolos
- 1.3 Derechos de autor
- 1.4 Declaración de conformidad
- 1.5 Garantizar

2. SEGURIDAD

- 2.1 General
- 2.2 Uso previsto
- 2.3 Instrucciones de seguridad al usar el dispositivo

3. TRANSPORTACIÓN, EMBALAJE Y ALMACENAMIENTO

- 3.1 Inspección después del transporte
- 3.2 embalaje
- 3.3 Almacenamiento

4. CARACTERÍSTICAS MATERIALES

5. INSTALACIONES Y USE

- 5.1 Instrucciones de seguridad
- 5.2 Usar

6. LIMPIEZA Y MANTENIMIENTO

- 6.1 Instrucciones de seguridad
- 6.2 Limpieza
- 6.3 Instrucciones de seguridad de mantenimiento

7. IRREGULARIDADES DE FUNCIONAMIENTO

1.PRESENTACIÓN

1.1 Información

Este manual de instrucciones sirve como información para todos sus usuarios. Describe la instalación y el manejo del dispositivo. Las instrucciones de seguridad y los conocimientos técnicos del dispositivo se detallan en este manual. Son condiciones indispensables para el buen uso de los equipos profesionales. Cada usuario debe respetar escrupulosamente todas las instrucciones de uso. Este manual de usuario debe conservarse junto al producto para su correcto uso y acceso a las instrucciones en todo momento para cada usuario.

1.2 Descripción de los símbolos

La información, los consejos de uso y las instrucciones de seguridad están representados por símbolos. Es imprescindible seguir estas instrucciones para evitar daños materiales y lesiones corporales.

ADVERTENCIA

Este símbolo significa que existe un peligro que podría provocar lesiones personales. La concentración y la precaución son imprescindibles para operar este dispositivo.

PELIGRO DE ELECTRICIDAD

Esto significa que existe un peligro relacionado con la corriente eléctrica. El incumplimiento de las instrucciones puede conducir al riesgo de lesiones y muerte.

ATENCIÓN

Este símbolo se utiliza para indicar que el incumplimiento de las instrucciones puede provocar una avería o la destrucción del dispositivo.

OBSERVACIÓN

Este símbolo indica buenas prácticas y consejos que se deben aplicar para un uso eficiente del dispositivo.

OBSERVACIÓN

Es esencial leer esta guía del usuario antes de poner en marcha el dispositivo. No asumimos ninguna responsabilidad por daños y averías resultantes del incumplimiento de las instrucciones de uso. La empresa Casselin se reserva el derecho de realizar cambios técnicos, informativos o de marketing en nuestro producto sin previo aviso.

1.3 Derechos de autor

El manual del usuario está protegido por la ley de derechos de autor. No se permiten las reproducciones de ningún tipo y en cualquier forma, incluso parciales, así como la explotación y/o transmisión de sus contenidos sin nuestro permiso. Cualquier violación de estas disposiciones le da derecho a daños y perjuicios. Quedan reservados otros derechos.

1.4 Declaración de conformidad

El dispositivo cumple con las normas y directivas vigentes de la Unión Europea. Lo confirmamos en la declaración CE de conformidad.

Las instrucciones dadas en este manual de usuario han sido redactadas teniendo en cuenta la normativa vigente, el desarrollo técnico actual, nuestro conocimiento y experiencia. Todas las traducciones han sido preparadas profesionalmente. No obstante, declinamos toda responsabilidad en caso de error de traducción. La versión francesa adjunta es auténtica.

2. SEGURIDAD

Las instrucciones de seguridad sirven para evitar peligros. Se mencionan en los capítulos individuales y se caracterizan por símbolos. El cumplimiento de estos garantiza una protección óptima contra riesgos y permite un funcionamiento ideal del dispositivo. Las instrucciones de seguridad deben estar disponibles y legibles en los dispositivos.

2.1 Principios

Las instrucciones de seguridad están establecidas para evitar errores, usos peligrosos y averías. Por lo tanto, el dispositivo no debe modificarse ni usarse para uso indebido. El dispositivo está diseñado de acuerdo con las normas técnicas que se están desarrollando actualmente. Este aviso debe ser guardado. El aparato sólo debe utilizarse en locales previstos para este fin por una persona responsable que esté familiarizada con el funcionamiento del aparato.

2.2 Uso previsto

El funcionamiento del dispositivo y la seguridad de uso solo están garantizados en caso de uso normal y conforme del dispositivo. El montaje y las intervenciones técnicas deben ser realizadas por profesionales.

ATENCIÓN

Cualquier otro uso se considera impropio. Cualquier cargo relacionado con el uso indebido del dispositivo no es admisible y se perderá. El uso adecuado corresponde al uso descrito en esta guía del usuario. El uso adecuado corresponde al cumplimiento de las normas de seguridad, higiene, limpieza y mantenimiento.

2.3 Instrucciones de seguridad al usar el dispositivo

Las indicaciones relativas a la seguridad laboral se refieren a las normas de la Unión Europea vigentes en el momento de la fabricación del dispositivo. Para el uso comercial del dispositivo, el operador se compromete, durante la duración de su uso, a observar la conformidad de las medidas citadas en términos de seguridad laboral con el estado actual del arsenal de consejos y cumplir con las nuevas regulaciones. Para países fuera de la UE, se deben observar las leyes y disposiciones del país. También se deben observar todas las disposiciones de protección ambiental.

ATENCIÓN

El aparato debe ser manipulado por personas con medios físicos e intelectuales suficientes. Las personas con medios físicos e intelectuales limitados deben ser supervisadas para usar este dispositivo. Uso prohibido para niños y menores de edad (excepciones realizadas dentro de un marco legal previsto por la ley) Si el dispositivo es utilizado por un tercero, las instrucciones de uso deben estar disponibles antes de cualquier uso. Cualquier nuevo usuario debe haber leído las instrucciones de uso. El dispositivo solo debe utilizarse en habitaciones destinadas a este fin.

3. TRANSPORTE, EMBALAJE Y ALMACENAMIENTO

3.1 Inspección después del transporte

La verificación de la ausencia de daños y la integridad del dispositivo debe realizarse al recibir el paquete. En caso de identificación de daños debido al transporte, rechace o acepte el producto entregado solo bajo reserva*. A continuación, se debe realizar una reclamación detallando los defectos observados. La percepción de los daños sólo es posible en caso de reclamación formulada dentro de los plazos previstos, es decir, de 24 a 48 horas como máximo.

**escrito en el papel correcto o entrega digital del transportista.*

3.2 Embalaje

El embalaje del dispositivo debe conservarse en caso de mudanza o devolución al servicio postventa. El embalaje interior y exterior debe retirarse por completo antes de utilizar el dispositivo. Deben respetarse las normas vigentes en su país relativas a la protección del medio ambiente antes de destruir el embalaje.

3.3. Almacenamiento

ATENCIÓN

El almacenamiento del dispositivo en stock se puede realizar pero únicamente en su embalaje original cerrado.

El almacenamiento se puede realizar en estas condiciones:

- Almacenamiento en un lugar seco y no húmedo
- Protegido del sol
- Control de stock por más de 2 meses (estado general del dispositivo y todos los elementos que lo componen)
- Sin sacudidas de material
- Almacenamiento en local cerrado y no al aire libre.

4. CARACTERÍSTICAS MATERIALES

* Sujeto a cambios

Modelo	CVCSS100L
Capacidad	100 litros
Datos eléctricos	560W / 230V
Dimensiones	Ancho 650 x Fondo 467 x Alto 630
Temperaturas	30°C – 90°C
Peso	25,6 kg

5. INSTALACIÓN Y USO

5.1 Instrucciones de seguridad

PELIGRO DE ELECTRICIDAD

¡Peligro por corriente eléctrica!

- No debe haber contacto con fuentes de calor con el cable eléctrico.
- El cable no debe colgar del borde de una mesa o mostrador.
- No vierta agua en un aparato que esté en funcionamiento o todavía caliente.
- El dispositivo debe estar correctamente conectado y cumplir con la normativa vigente.

ADVERTENCIA

Mientras está en funcionamiento, el dispositivo puede alcanzar altas temperaturas. Para evitar quemaduras y accidentes, no utilice el dispositivo si no funciona correctamente y no utilice repuestos que no sean originales.

PELIGRO DE ELECTRICIDAD

¡Peligro por corriente eléctrica!

Si se instala incorrectamente, el dispositivo puede ser peligroso y causar lesiones. Antes de cualquier instalación, compruebe los datos de la red eléctrica. Conecte el dispositivo solo cuando haya conformidad. El dispositivo debe ser desembalado y revisado completamente antes de la conexión por un profesional.

5.2 Uso

ADVERTENCIA

La configuración, la instalación y el mantenimiento del dispositivo solo deben ser realizados por profesionales.

- No deje el aparato en funcionamiento sin vigilarlo.
- Durante el uso, sus manos deben estar secas.
- No mueva ni incline el dispositivo durante el funcionamiento.

MODO DE EMPLEO

PUESTA EN SERVICIO

El dispositivo debe sacarse completamente de su embalaje. Todos los protectores deben estar completamente retirado.

Coloque el dispositivo sobre una superficie sólida y plana.

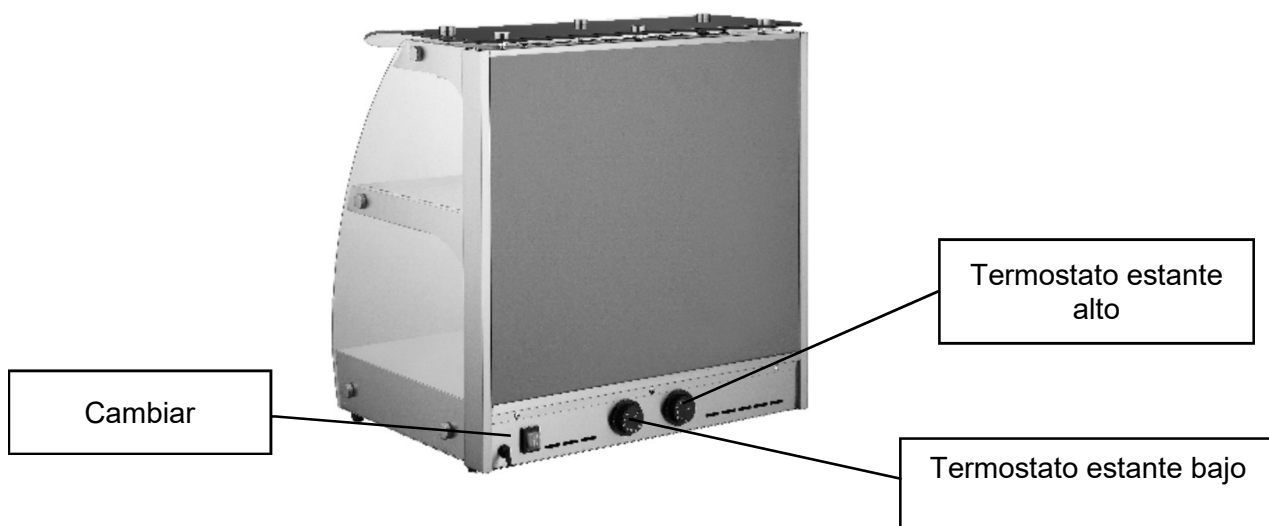
No instale la vitrina en un ambiente húmedo o mojado.

No instale la vitrina sobre una superficie inflamable.

No instale este dispositivo cerca de fuegos abiertos u otros dispositivos de calefacción.

El cable eléctrico debe estar protegido a por lo menos 16 amperios. El dispositivo debe conectarse directamente a un tomacorriente de pared. El uso de una regleta de enchufes disparará el dispositivo.

Limpie la ventana con un paño suave y húmedo.



USAR

Coloque los estantes en las correderas a la altura deseada.

Conecte la vitrina al cable de alimentación. Presione el interruptor de ENCENDIDO/APAGADO.

Ajuste el termostato usando la perilla de ajuste.

Pre caliente la vitrina sin agua en la bandeja de agua y sin vajilla en el interior para evitar la condensación de agua en las ventanas cuando se colocan los platos en la vitrina.

El indicador delante de la ventana indica la temperatura alcanzada.

Vierta agua en la bandeja de agua (aproximadamente 0,6 litros) y coloque la bandeja en el lugar previsto para tal fin.

La bandeja de agua se utiliza para mantener la humedad en la vitrina para evitar que se sequen los platos (especialmente la bollería).

Asegúrese de verificar el nivel de agua en el tanque; agregue más si es necesario.

El relleno se hace tanto por delante como por detrás.

Coloque los platos contenidos en recipientes adecuados en los estantes de la vitrina.

Al final del uso, presione el interruptor y desenchufe el aparato.

OBSERVACIÓN

El aparato está equipado con un sistema de seguridad en caso de sobrecalentamiento. En caso de tropiezo, desenchufe el aparato y déjelo enfriar. Si este sistema de protección se activa regularmente, es imprescindible ponerse en contacto con su distribuidor.

Después del apagado automático, el dispositivo solo se puede poner en funcionamiento presionando el botón Restablecer en la parte posterior del dispositivo. Para hacer esto, espere a que baje la temperatura, presione el botón Restablecer.

! ADVERTENCIA

Nunca coloque los platos directamente en los estantes.

Cuando la vitrina está en funcionamiento, algunas partes del aparato se calientan.

Para evitar cualquier riesgo de quemaduras, no toque superficies calientes con las manos descubiertas, use guantes protectores.

6. LIMPIEZA Y MANTENIMIENTO

6.1 Instrucciones de seguridad

Cualquier mantenimiento, limpieza, reparación del aparato debe hacerse con el aparato desenchufado (aislado de todas las fuentes eléctricas).

Está prohibido el uso de detergentes cáusticos y bicarbonato de sodio para la limpieza. El agua no debe entrar en el dispositivo.

Nunca sumerja el aparato en agua o cualquier otro líquido.

Utilice los productos de la marca Casselin proporcionados para este fin.

ADVERTENCIA

El dispositivo no se puede limpiar con un chorro de agua directo (sin chorro de agua a presión).

6.2 Mantenimiento diario

Desconecta el dispositivo

Limpie el dispositivo con agua tibia y un paño limpio después de cada uso.

Después de la limpieza, utilice un paño suave y seco para pulir y secar el dispositivo. Todas las partes deben estar secas.

Guarde el dispositivo en un lugar seco.

6.3 Instrucciones de seguridad para el mantenimiento del dispositivo

Controle diariamente que el cable de alimentación no esté dañado. Nunca utilice el aparato cuando el cable esté dañado. Si el cable tiene alguna falla, debe ser reemplazado por un técnico calificado.

En caso de avería, póngase en contacto con su distribuidor.

Cualquier trabajo de mantenimiento o reparación debe ser realizado únicamente por un profesional.

OBSERVACIÓN

En caso de viaje, desenchufe el aparato, déjelo enfriar y póngase en contacto con su distribuidor. Si la unidad no arranca, revise su cable de alimentación. El dispositivo no debe conectarse a una regleta de enchufes, sino directamente a un enchufe de pared. Para cualquier otra anomalía, contacte con su distribuidor.

OBSERVACIÓN

Residuos de dispositivos usados: todos los dispositivos usados deben, cuando se eliminan, cumplir con las normas vigentes en su país*. Es imperativo inutilizar el dispositivo antes de desecharlo quitando el cable de alimentación.

en términos de ecología y reciclaje

7. FUNCIONAMIENTO IRREGULAR

ANOMALÍA	CAUSAS	EXPLICACIÓN
El aparato no funciona, el indicador luminoso de calentamiento no se enciende.	<ul style="list-style-type: none"> > El cable de alimentación no está enchufado. > El fusible de alimentación se ha disparado. > La caja de alimentación no funciona. > Se ha disparado el termostato de seguridad. > El termostato de seguridad está dañado. 	<ul style="list-style-type: none"> > Conectar correctamente el cable de alimentación. > Revise todos sus fusibles. > Verifique la ubicación de la caja. > Presione el botón de reinicio ubicado en la carcasa. > Póngase en contacto con su distribuidor.
El dispositivo está encendido pero no calienta. La lámpara indicadora de calefacción permanece apagada.	<ul style="list-style-type: none"> > El termostato de seguridad se ha activado. > La resistencia ya no funciona. > Contacto con elemento calefactor dañado. 	Póngase en contacto con su distribuidor.
No se alcanza la temperatura solicitada.	El termostato está dañado.	Póngase en contacto con su distribuidor.
El elemento calefactor se apaga después de un cierto tiempo.	El termostato de seguridad se ha puesto en marcha.	Presione el botón Restablecer en el cuadro de distribución.

OBSERVACIÓN

Los fallos de funcionamiento mencionados anteriormente solo se citan como una indicación y siguen siendo virtuales. Si tiene alguna duda, póngase en contacto con su distribuidor.

DISPLAY RISCALDATO SELF SERVICE



CVCSS100L

SAS CASSELIN
83 rue Marcel Merieux 69960 Corbas FRANCIA
Tel: +33 (0)4 82 92 60 00 - E-mail: contact@casselin.com

RIEPILOGO

1. PRESENTAZIONE

- 1.1 Informazione
- 1.2 Descrizione dei simboli
- 1.3 Diritto d'autore
- 1.4 Dichiarazione di conformità
- 1.5 Garanzia

2. SICUREZZA

- 2.1 Generale
- 2.2 Uso previsto
- 2.3 Istruzioni di sicurezza durante l'utilizzo del dispositivo

3. TRASPORTO, IMBALLAGGIO E STOCCAGGIO

- 3.1 Ispezione dopo il trasporto
- 3.2 Confezione
- 3.3 Magazzinaggio

4. CARATTERISTICHE DEL MATERIALE

5. FACILITÀE UTILIZZA

- 5.1 Istruzioni di sicurezza
- 5.2 Uso

6. PULIZIAE MANUTENZIONE

- 6.1 Istruzioni di sicurezza
- 6.2 Pulizia
- 6.3 Istruzioni di sicurezza per la manutenzione

7. IRREGOLARITÀ OPERATIVE

1. PRESENTAZIONE

1.1 Informazioni

Questo manuale di istruzioni serve come informazione per tutti i suoi utenti. Descrive l'installazione e la gestione del dispositivo. Le istruzioni di sicurezza e le conoscenze tecniche del dispositivo sono descritte in dettaglio in questo manuale. Sono condizioni essenziali per il corretto utilizzo delle attrezzature professionali. Ogni utente è tenuto a rispettare scrupolosamente tutte le istruzioni per l'uso. Questo manuale utente deve essere conservato accanto al prodotto per un uso corretto e l'accesso alle istruzioni in ogni momento per ciascun utente.

1.2 Descrizione dei simboli

Informazioni, consigli per l'uso e istruzioni di sicurezza sono rappresentati da simboli. È essenziale seguire queste istruzioni per evitare danni materiali e lesioni personali.

AVVERTIMENTO

Questo simbolo indica che esiste un pericolo che potrebbe causare lesioni personali. Concentrazione e cautela sono indispensabili per utilizzare questo dispositivo.

PERICOLO ELETTRICO

Ciò significa che esiste un pericolo legato alla corrente elettrica. La mancata osservanza delle istruzioni può comportare il rischio di lesioni e morte.

AVVERTIMENTO

Questo simbolo viene utilizzato per indicare che il mancato rispetto delle istruzioni può causare un guasto o la distruzione del dispositivo.

NOTA

Questo simbolo indica buone pratiche e consigli che devono essere applicati per un uso efficiente del dispositivo.

NOTA

È essenziale leggere questa guida per l'utente prima di mettere in servizio il dispositivo. Non ci assumiamo alcuna responsabilità per danni e guasti derivanti dal mancato rispetto delle istruzioni per l'uso. L'azienda Casselin si riserva il diritto di apportare modifiche tecniche, informative o di marketing al nostro prodotto senza preavviso.

1.3 Diritto d'autore

Il manuale utente è protetto dalla legge sul diritto d'autore. Non sono consentite riproduzioni di qualsiasi genere e in qualsiasi forma, anche parziale, nonché lo sfruttamento e/o la trasmissione dei suoi contenuti senza la nostra autorizzazione. Qualsiasi violazione di queste disposizioni dà diritto al risarcimento dei danni. Gli altri diritti restano riservati.

1.4 Dichiarazione di conformità

Il dispositivo è conforme agli standard e alle direttive vigenti dell'Unione Europea. Lo confermiamo nella dichiarazione di conformità CE.

Le istruzioni contenute in questo manuale utente sono state redatte tenendo conto delle normative vigenti, dell'evoluzione tecnica attuale, della nostra conoscenza ed esperienza. Tutte le traduzioni sono state preparate professionalmente. Tuttavia, decliniamo ogni responsabilità in caso di errore di traduzione. La versione francese allegata fa fede.

2. SICUREZZA

Le istruzioni di sicurezza servono a scongiurare i pericoli. Sono citati nei singoli capitoli e sono caratterizzati da simboli. Il loro rispetto garantisce una protezione ottimale contro i rischi e consente un funzionamento ottimale dell'apparecchio. Le istruzioni di sicurezza devono essere disponibili e leggibili sui dispositivi.

2.1 Principi

Le istruzioni di sicurezza sono stabilite per evitare errori, usi pericolosi e guasti. Pertanto, il dispositivo non deve essere modificato o utilizzato per un uso improprio. Il dispositivo è progettato secondo regole tecniche attualmente in fase di sviluppo. Questo avviso deve essere conservato. L'apparecchio deve essere utilizzato solo nei locali previsti a tale scopo da una persona responsabile che abbia familiarità con il funzionamento dell'apparecchio.

2.2 Uso previsto

Il funzionamento del dispositivo e la sicurezza d'uso sono garantiti solo in caso di uso normale e conforme del dispositivo. Il montaggio e gli interventi tecnici devono essere eseguiti da professionisti.

AVVERTIMENTO

Ogni altro uso è considerato improprio. Eventuali addebiti relativi ad un uso improprio del dispositivo non sono ammissibili e saranno decaduti. L'uso corretto corrisponde all'uso descritto in questa guida per l'utente. Un uso corretto corrisponde al rispetto delle norme di sicurezza, igiene, pulizia e manutenzione.

2.3 Istruzioni di sicurezza durante l'utilizzo del dispositivo

Le indicazioni relative alla sicurezza sul lavoro fanno riferimento alle normative dell'Unione Europea vigenti al momento della fabbricazione del dispositivo. Per l'uso commerciale del dispositivo, l'operatore si impegna, per tutta la durata del suo utilizzo, a prendere atto della conformità delle misure citate in tema di sicurezza sul lavoro allo stato attuale dell'arsenale di consulenza e di attenersi alle nuove normative.

Per i paesi al di fuori dell'UE, devono essere osservate le leggi e le disposizioni del paese. Devono inoltre essere osservate tutte le disposizioni in materia di protezione dell'ambiente.

AVVERTIMENTO

Il dispositivo deve essere maneggiato da persone dotate di mezzi fisici e intellettuali sufficienti. Le persone con mezzi fisici e intellettuali limitati devono essere supervisionate per utilizzare questo dispositivo. Uso vietato a bambini e minori (eccezioni fatte in un quadro normativo previsto dalla legge)

Se il dispositivo viene utilizzato da terzi, le istruzioni per l'uso devono essere disponibili prima di qualsiasi utilizzo. Ogni nuovo utente deve aver letto le istruzioni per l'uso.

Il dispositivo deve essere utilizzato solo in locali destinati a tale scopo.

3. TRASPORTO, IMBALLAGGIO E STOCCAGGIO

3.1 Ispezione dopo il trasporto

La verifica dell'assenza di danni e dell'integrità del dispositivo deve essere effettuata al ricevimento del pacco. In caso di identificazione di danni dovuti al trasporto, rifiutare o accettare il prodotto consegnato solo con riserva*. Deve quindi essere presentata una denuncia che dettaglia i difetti riscontrati. La percezione del danno è possibile solo in caso di reclamo formulato entro i termini previsti, ovvero al massimo 24-48 ore.

**scritto sulla carta giusta o consegna digitale dal corriere.*

3.2 Imballaggio

L'imballo del dispositivo deve essere conservato in caso di trasloco, o per una riconsegna al servizio post vendita. L'imballaggio interno ed esterno deve essere completamente rimosso prima di utilizzare il dispositivo. Prima di distruggere l'imballo devono essere rispettate le norme vigenti nel vostro Paese in materia di tutela dell'ambiente.

3.3. Magazzinaggio

AVVERTIMENTO

Lo stoccaggio del dispositivo in magazzino può essere effettuato ma solo nella sua confezione originale chiusa.

La conservazione può essere effettuata alle seguenti condizioni:

- Conservare in un luogo asciutto e non umido
- Al riparo dal sole
- Controllo delle scorte per più di 2 mesi (condizioni generali del dispositivo e di tutti gli elementi che lo compongono)
- Nessun scuotimento del materiale
- Stoccaggio in locale chiuso e non all'aperto.

4. CARATTERISTICHE DEL MATERIALE

* Soggetto a modifiche

Modello	CVCSS100L
Capacità	100 litri
Dati elettrici	560 W/230 V
Dimensioni	L 650 x P 467 x H 630
Temperature	30°C – 90°C
Il peso	25,6 kg

5. INSTALLAZIONE E UTILIZZO

5.1 Istruzioni di sicurezza

⚡ PERICOLO ELETTRICO

Pericolo dovuto alla corrente elettrica!

- Nessun contatto con fonti di calore deve avvenire con il cavo elettrico.
- Il cavo non deve pendere dal bordo di un tavolo o di un bancone.
- Non versare acqua in un apparecchio in funzione o ancora caldo.
- Il dispositivo deve essere correttamente collegato e conforme alle normative vigenti.

⚠ AVVERTIMENTO

Durante il funzionamento, il dispositivo può raggiungere temperature elevate. Per evitare ustioni e incidenti, non utilizzare il dispositivo se non funziona correttamente e non utilizzare pezzi di ricambio non originali.

⚡ PERICOLO ELETTRICO

Pericolo dovuto alla corrente elettrica!

Se installato in modo errato, il dispositivo può essere pericoloso e causare lesioni. Prima di ogni installazione verificare i dati della rete elettrica. Collega il dispositivo solo quando c'è conformità. Il dispositivo deve essere disimballato e completamente controllato prima del collegamento da un professionista.

5.2 Uso

⚠ AVVERTIMENTO

La configurazione dell'installazione e la manutenzione del dispositivo devono essere eseguite solo da professionisti.

- Non lasciare l'apparecchio in funzione senza guardarlo.
- Durante l'uso, le mani devono essere asciutte.
- Non spostare o inclinare il dispositivo durante il funzionamento.

MANUALE

LA MESSA IN PRODUZIONE

Il dispositivo deve essere completamente rimosso dalla sua confezione. Tutte le guardie devono essere completamente ritirate.

Posizionare il dispositivo su una superficie solida e piana.

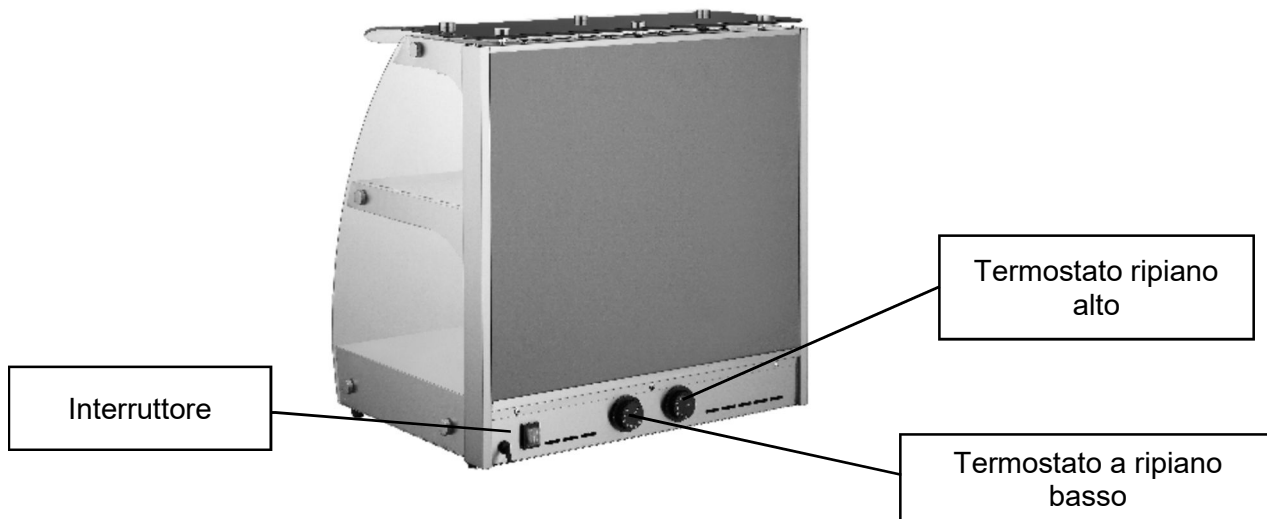
Non installare la vetrina in un ambiente umido o bagnato.

Non installare la vetrina su una superficie infiammabile.

Non installare questo dispositivo vicino a fuochi aperti o altri dispositivi di riscaldamento.

Il cavo elettrico deve essere protetto ad almeno 16 ampere. Il dispositivo deve essere collegato direttamente a una presa a muro. L'uso di una presa multipla farà scattare il dispositivo.

Pulisci la finestra con un panno morbido e umido.



USO

Posizionare i ripiani sulle guide all'altezza desiderata.

Collegare la vetrina al cavo di alimentazione. Premere l'interruttore ON/OFF.

Regolare il termostato utilizzando la manopola di regolazione.

Preriscaldare la vetrina senza acqua nella vaschetta e senza stoviglie all'interno per evitare la condensazione dell'acqua sulle finestre quando le stoviglie vengono riposte nella vetrina.

L'indicatore davanti alla finestra indica la temperatura raggiunta.

Versare l'acqua nella vaschetta dell'acqua (circa 0,6 litri) e posizionare la vaschetta nella posizione prevista a tale scopo.

La vaschetta dell'acqua serve a mantenere l'umidità nella vetrina per evitare che i piatti si secchino (soprattutto i dolci).

Assicurati di controllare il livello dell'acqua nel serbatoio; aggiungerne altri se necessario.

Il ripieno è fatto sia davanti che dietro.

Sistemare le stoviglie contenute in appositi contenitori sui ripiani della vetrina.

Al termine dell'uso, premere l'interruttore e scollegare l'apparecchio.

NOTA

L'apparecchio è dotato di un sistema di sicurezza in caso di surriscaldamento. In caso di inciampo, scollegare l'apparecchio e lasciarlo raffreddare. Se questo sistema di protezione si attiva regolarmente, è indispensabile contattare il proprio rivenditore.

Dopo lo spegnimento automatico, il dispositivo può essere messo in funzione solo premendo il pulsante Reset sul retro del dispositivo, per farlo attendere che la temperatura scenda, premere il pulsante Reset.

AVVERTIMENTO

Non posizionare mai i piatti direttamente sugli scaffali.

Quando la vetrina è in funzione, alcune parti dell'apparecchio si scaldano.

Per evitare qualsiasi rischio di ustione, non toccare le superfici calde a mani nude, indossare guanti protettivi.

6. PULIZIA E MANUTENZIONE

6.1 Istruzioni di sicurezza

Qualsiasi intervento di manutenzione, pulizia, riparazione dell'apparecchio deve essere effettuato ad apparecchio scollegato (isolato da ogni fonte elettrica).

È vietato l'uso di detersivi caustici e bicarbonato di sodio per la pulizia. L'acqua non deve penetrare all'interno del dispositivo.

Non immergere mai l'apparecchio in acqua o altri liquidi.

Utilizzare i prodotti a marchio Casselin forniti a tale scopo.

AVVERTIMENTO

Il dispositivo non può essere pulito con un getto d'acqua diretto (nessun getto d'acqua in pressione).

6.2 Manutenzione giornaliera

Scollegare il dispositivo

Pulisci il dispositivo con acqua tiepida e un panno pulito dopo ogni utilizzo.

Dopo la pulizia, utilizzare un panno morbido e asciutto per lucidare e asciugare il dispositivo. Tutte le parti devono essere asciugate.

Conservare il dispositivo in un luogo asciutto.

6.3 Istruzioni di sicurezza per la manutenzione del dispositivo

Controllare quotidianamente che il cavo di alimentazione non sia danneggiato. Non utilizzare mai l'apparecchio se il cavo è danneggiato. Se il cavo ha dei guasti, deve essere sostituito da un tecnico qualificato.

In caso di guasto, contattare il rivenditore.

Eventuali lavori di manutenzione o riparazione devono essere eseguiti solo da un professionista.

NOTA

In caso di viaggio, scollegare l'apparecchio, farlo raffreddare e contattare il rivenditore. Se l'unità non si avvia, controllare il cavo di alimentazione. Il dispositivo non deve essere collegato a una presa multipla ma direttamente a una presa a muro. Per qualsiasi altra anomalia, contattare il proprio rivenditore.

NOTA

Rifiuti da dispositivi usati: tutti i dispositivi usati devono, una volta smaltiti, essere conformi alle normative vigenti nel proprio paese*. È indispensabile rendere il dispositivo inutilizzabile prima dello smaltimento rimuovendo il cavo di alimentazione.

in termini di ecologia e riciclaggio

7. FUNZIONAMENTO IRREGOLARE

ANOMALIA	CAUSE	SPIEGAZIONE
L'apparecchio non funziona, la spia riscaldamento non si accende.	<ul style="list-style-type: none">> Il cavo di alimentazione non è collegato.> Il fusibile di alimentazione è scattato.> La scatola di alimentazione non funziona.> Il termostato di sicurezza è intervenuto.> Il termostato di sicurezza è danneggiato.	<ul style="list-style-type: none">> Collegare correttamente il cavo di alimentazione.> Controlla tutti i tuoi fusibili.> Controlla la posizione della casella.> Premere il pulsante di ripristino situato nell'alloggiamento.> Contatta il tuo rivenditore.
Il dispositivo è acceso ma non riscalda. La spia di riscaldamento rimane spenta.	<ul style="list-style-type: none">> Si è attivato il termostato di sicurezza.> La resistenza non funziona più.> Contatto con resistenza danneggiata.	Contatta il tuo rivenditore.
La temperatura richiesta non viene raggiunta.	Il termostato è danneggiato.	Contatta il tuo rivenditore.
L'elemento riscaldante si spegne dopo un certo tempo.	Il termostato di sicurezza è scattato.	Premere il pulsante Ripristina nella casella di distribuzione.

NOTA

I malfunzionamenti sopra citati sono citati solo a titolo indicativo e rimangono virtuali. In caso di dubbi, contattare il proprio rivenditore.

VERWARMD ZELFDIENSTDISPLAY



CVCSS100L

OVERZICHT

1. PRESENTATIE

- 1.1 informatie
- 1.2 Beschrijving van de symbolen
- 1.3 Auteursrecht ©
- 1.4 Conformiteitsverklaring
- 1.5 garantie

2. VEILIGHEID

- 2.1 Algemeen
- 2.2 doel van gebruik
- 2.3 Veiligheidsinstructies bij het gebruik van het apparaat

3. VERVOER, VERPAKKING EN OPSLAG

- 3.1 Inspectie na verzending
- 3.2 verpakking
- 3.3 opslag

4. MATERILE EIGENSCHAPPEN

5. FACILITEITEN VOORDELEN

- 5.1 veiligheidsinstructies
- 5.2 Gebruiken

6. SCHOONMAAKEN ONDERHOUD

- 6.1 veiligheidsinstructies
- 6.2 schoonmaak
- 6.3 Veiligheidsinstructies voor onderhoud

7. OPERATIONELE ONREGELMATIGHEDEN

1.PRESENTATIE

1.1 Informatie

Deze gebruikershandleiding is bedoeld als informatie voor alle gebruikers. Het beschrijft de installatie en het gebruik van het apparaat. De veiligheidsinstructies en technische kennis van het apparaat staan in deze handleiding vermeld. Het zijn essentiële voorwaarden voor het beoogde gebruik van professionele apparaten.

Elke gebruiker moet alle gebruiksaanwijzingen zorgvuldig opvolgen. Deze gebruikershandleiding moet naast het product worden bewaard, zodat elke gebruiker te allen tijde toegang heeft tot de instructies om het goed te kunnen gebruiken.

1.2 Beschrijving van symbolen

Informatie, gebruiksaanwijzingen en veiligheidsinstructies worden weergegeven door symbolen. Zorg ervoor dat u deze instructies opvolgt om persoonlijk letsel en materiële schade te voorkomen.

WAARSCHUWING

Dit symbool betekent dat er een gevaar bestaat dat tot persoonlijk letsel kan leiden. Concentratie en voorzichtigheid zijn essentieel bij het gebruik van dit apparaat.

ELEKTRISCH GEVAAR

Dit betekent dat er een risico op elektrische stroom bestaat. Het niet opvolgen van de instructies kan leiden tot persoonlijk letsel of de dood.

WAARSCHUWING

Dit symbool wordt gebruikt om aan te geven dat het niet opvolgen van de instructies kan leiden tot uitval of vernietiging van het apparaat.

ANNOTATIE

Dit symbool geeft de beste praktijken en adviezen aan die moeten worden opgevolgd voor een efficiënt gebruik van het apparaat.

ANNOTATIE

Het is essentieel dat u deze gebruiksaanwijzing leest voordat u het apparaat in gebruik neemt. Wij aanvaarden geen aansprakelijkheid voor schade en storingen veroorzaakt door het niet naleven van de gebruiksaanwijzing. Casselin behoudt zich het recht voor om technische, informatieve of marketingwijzigingen aan ons product aan te brengen zonder voorafgaande kennisgeving.

1.3 Auteursrecht

De gebruikershandleiding is auteursrechtelijk beschermd. Reproducties van welke aard en in welke vorm dan ook - ook gedeeltelijk - evenals het gebruik en/of doorgeven van hun inhoud zijn zonder onze toestemming niet toegestaan. Elke overtreding van deze bepalingen geeft u recht op schadevergoeding. Andere rechten zijn voorbehouden.

1.4 Conformiteitsverklaring

Het apparaat voldoet aan de huidige normen en richtlijnen van de Europese Unie. Dit bevestigen wij in de CE conformiteitsverklaring.

1.5 Garantie

De informatie in deze gebruiksaanwijzing is samengesteld met inachtneming van de geldende voorschriften, de stand van de techniek en onze kennis en ervaring. Alle vertalingen zijn professioneel gedaan. Wij wijzen echter elke verantwoordelijkheid af in het geval van een vertaalfout. De bijgevoegde Franse versie is authentiek.

2. VEILIGHEID

Veiligheidsinstructies dienen om gevaar af te wenden. Ze worden vermeld in de afzonderlijke hoofdstukken en worden aangeduid met symbolen. Het naleven ervan garandeert een optimale bescherming tegen gevaren en maakt een optimale werking van het apparaat mogelijk. De veiligheidsinstructies moeten op de apparaten aanwezig zijn en leesbaar zijn.

2.1 Principes

De veiligheidsinstructies zijn opgesteld om fouten, gevaarlijk gebruik en storingen te voorkomen. Daarom mag het apparaat niet worden aangepast of gebruikt voor andere doeleinden dan waarvoor het is bedoeld. Het apparaat is ontworpen volgens de regels van de technologie die momenteel worden ontwikkeld. Deze melding moet worden bewaard. Het apparaat mag in de daarvoor bestemde ruimten alleen worden gebruikt door een verantwoordelijke persoon die bekend is met de bediening van het apparaat.

2.2 Beoogd gebruik

De werking van het apparaat en de gebruiksveiligheid zijn alleen gegarandeerd als het apparaat normaal en zoals bedoeld wordt gebruikt. Montage en technische interventies moeten worden uitgevoerd door professionals.

WAARSCHUWING

Elk ander gebruik wordt als oneigenlijk beschouwd. Alle kosten in verband met oneigenlijk gebruik van het apparaat zijn niet toegestaan en zullen worden verbeurd. Het beoogde gebruik komt overeen met het in deze gebruiksaanwijzing beschreven gebruik. Het beoogde gebruik stemt overeen met de naleving van de veiligheids-, hygiëne-, reinigings- en onderhoudsvoorschriften.

2.3 Veiligheidsinstructies voor de omgang met het apparaat

De informatie over arbeidsveiligheid verwijst naar de voorschriften van de Europese Unie die van kracht waren op het moment dat het apparaat werd vervaardigd. Bij commercieel gebruik van het apparaat verbindt de exploitant zich ertoe ervoor te zorgen dat de gespecificeerde veiligheidsmaatregelen op het werk gedurende de gehele gebruiksperiode in overeenstemming zijn met de huidige status van de adviespraktijk en om te voldoen aan de nieuwe voorschriften.

Voor landen buiten de EU dienen de wetten en regels van het land in acht te worden genomen. Bovendien moeten alle milieubeschermingsvoorschriften worden nageleefd.

WAARSCHUWING

Het apparaat mag alleen worden gehanteerd door personen die over voldoende fysieke en mentale capaciteiten beschikken. Personen met een lichamelijke en geestelijke handicap moeten bij het gebruik van dit apparaat onder toezicht staan. Gebruik verboden voor kinderen en minderjarigen (uitzonderingen binnen de wettelijke kaders)

Als het apparaat door een derde partij wordt gebruikt, moet de gebruiksaanwijzing voor elk gebruik beschikbaar zijn. Elke nieuwe gebruiker moet de gebruiksaanwijzing gelezen hebben.

Het apparaat mag alleen worden gebruikt in de daarvoor bestemde ruimtes.

3. TRANSPORT, VERPAKKING EN OPSLAG

3.1 Inspectie na transport

Het apparaat moet bij ontvangst van de verpakking worden gecontroleerd op schade en integriteit. Indien u transportschade constateert, weigert u de geleverde goederen of neemt u deze alleen in ontvangst onder voorbehoud*. Er dient dan een klacht te worden ingediend met vermelding van de geconstateerde gebreken. Het claimen van schadevergoeding is alleen mogelijk in het geval van een klacht geformuleerd binnen de voorziene termijnen, dwz maximaal 24-48 uur.

**geschreven op de juiste papieren of digitale aanlevering door de vervoerder.*

3.2 Verpakking

Als je gaat verhuizen of het terugstuurt naar de klantenservice, bewaar dan de verpakking van het apparaat. De binnen- en buitenverpakking moeten volledig worden verwijderd voordat het apparaat wordt gebruikt. De in uw land geldende milieubeschermingsnormen moeten worden nageleefd voordat de verpakking wordt vernietigd.

3.3. opslag

WAARSCHUWING

Het apparaat kan echter alleen in de gesloten originele verpakking worden bewaard.

De opslag kan plaatsvinden onder deze voorwaarden:

- Op een droge, niet-vochtige plaats bewaren
- Beschermd tegen de zon
- Voorraadcontrole voor meer dan 2 maanden (algemene staat van het apparaat en alle elementen waaruit het bestaat)
- Geen schudden van het materiaal
- Opslag in een afgesloten ruimte en niet buiten.

4. MATERIELE EIGENSCHAPPEN

* Aan verandering onderhevig

model-	CVCSS100L
Vermogen	100 liter
Elektrische data	560W / 230V
Dimensies	B 650 x D 467 x H 630
temperaturen	30°C - 90°C
gewicht	25,6 kg

5. INSTALLATIE EN GEBRUIK

5.1 Veiligheidsinstructies

⚠ ELEKTRISCH GEVAAR

Gevaar door elektrische stroom!

- Het netsnoer mag niet in contact komen met warmtebronnen.
- Het snoer mag niet over de rand van een tafel of aanrecht hangen.
- Giet geen water in een werkend of heet apparaat.
- Het apparaat moet correct zijn aangesloten en voldoen aan de geldende voorschriften.

⚠ WAARSCHUWING

Tijdens het gebruik kan het apparaat hoge temperaturen bereiken. Gebruik het apparaat niet als het niet naar behoren werkt en gebruik geen niet-originele reserveonderdelen om brandwonden en ongevallen te voorkomen.

⚠ ELEKTRISCH GEVAAR

Gevaar door elektrische stroom!

Bij onjuiste installatie kan het apparaat gevaarlijk zijn en letsel veroorzaken. Controleer vóór elke installatie de gegevens van het elektriciteitsnet. Sluit het apparaat alleen aan als ze overeenkomen. Het apparaat moet voor aansluiting worden uitgepakt en volledig worden gecontroleerd door een specialist.

5.2 Gebruik

⚠ WAARSCHUWING

Het instellen, installeren en onderhouden van het apparaat mag alleen worden uitgevoerd door professionals.

- Laat het apparaat niet onbeheerd draaien.
- Uw handen moeten tijdens gebruik droog zijn.
- Verplaats of kantel het apparaat niet tijdens het gebruik.

HANDLEIDING

INSTALLATIE

Het apparaat moet volledig uit de verpakking worden gehaald. Alle horloges moeten compleet zijn ingetrokken.

Plaats het apparaat op een stevige, vlakke ondergrond.

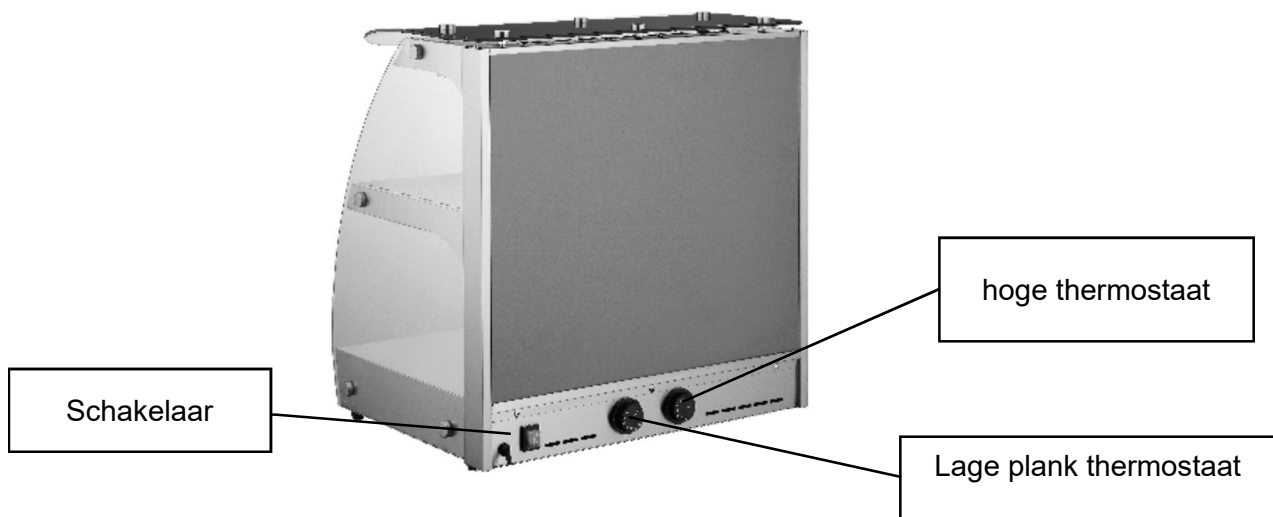
Installeer de vitrine niet in een vochtige of natte omgeving.

Installeer de vitrine niet op een brandbaar oppervlak.

Installeer dit apparaat niet in de buurt van een open vlam of ander verwarmingsapparaat.

De elektrische kabel moet worden beschermd met minimaal 16 ampère. Het apparaat moet rechtstreeks op een stopcontact worden aangesloten. Het gebruik van een stekkerdoos activeert het apparaat.

Reinig het raam met een zachte, vochtige doek.



GEBRUIKEN

Plaats de planken op de rails op de gewenste hoogte.

Sluit de vitrine aan op het netsnoer. Druk op de AAN/UIT-schakelaar.

Stel de thermostaat af met de instelknop.

Verwarm de kist voor zonder water in de waterpan en zonder servies om condensatie op de ramen te voorkomen wanneer de schalen in de kist worden geplaatst.

Het display voor het raam geeft de bereikte temperatuur weer.

Giet water in de waterbak (ongeveer 0,6 liter) en plaats de kom op de daarvoor bestemde plaats.

De waterlade wordt gebruikt om vocht in de vitrine te houden om te voorkomen dat gerechten (vooral gebak) uitdrogen.

Zorg ervoor dat u het waterniveau in de tank controleert; voeg indien nodig meer toe.

De vulling gebeurt zowel aan de voorkant als aan de achterkant.

Plaats de schalen in geschikte containers op de planken van de vitrine.

Druk aan het einde van het gebruik op de schakelaar en koppel het apparaat los.

ANNOTATIE

Het apparaat is uitgerust met een veiligheidssysteem in geval van oververhitting. Haal bij struikelgevaar de stekker uit het stopcontact en laat het afkoelen. Als dit beveiligingssysteem regelmatig wordt geactiveerd, neem dan contact op met uw dealer.

Na automatische uitschakeling kan het apparaat alleen in gebruik worden genomen door op de resetknop aan de achterkant van het apparaat te drukken. Wacht hiervoor tot de temperatuur daalt en druk op de resetknop.

WAARSCHUWING

Plaats nooit gerechten direct op de planken.

Wanneer de vitrine in gebruik is, worden sommige delen van het apparaat heet.

Om brandwonden te voorkomen, hete oppervlakken niet met blote handen aanraken, beschermende handschoenen dragen.

6. REINIGING EN ONDERHOUD

6.1 Veiligheidsinstructies

Alle onderhouds-, reinigings- en reparatiewerkzaamheden aan het apparaat moeten worden uitgevoerd met de stekker uit het stopcontact (los van alle stroombronnen).

Het gebruik van bijtende reinigingsmiddelen en zuiveringszout voor het reinigen is verboden. Er mag geen water in het apparaat binnendringen.

Dompel het apparaat nooit onder in water of andere vloeistoffen.

Gebruik de geleverde Casselin-producten.

WAARSCHUWING

Het apparaat kan niet worden gereinigd met een directe waterstraal (geen waterstraal onder druk).

6.2 Dagelijks onderhoud

Koppel het apparaat los

Reinig het apparaat na elk gebruik met warm water en een schone doek.

Gebruik na het reinigen een zachte, droge doek om het apparaat op te poetsen en te drogen. Alle onderdelen moeten droog zijn.

Bewaar het apparaat op een droge plaats.

6.3 Veiligheidsinstructies voor het onderhoud van het apparaat

Controleer dagelijks of het netsnoer niet beschadigd is. Gebruik het apparaat nooit als de kabel beschadigd is. Als de kabel defecten vertoont, moet deze worden vervangen door een gekwalificeerde technicus.

Neem bij een storing contact op met uw dealer.

Alle onderhouds- of reparatiewerkzaamheden mogen alleen door een vakman worden uitgevoerd.

ANNOTATIE

Trek tijdens het reizen de stekker uit het stopcontact, laat het afkoelen en neem contact op met uw dealer. Als het apparaat niet start, controleer dan uw netsnoer. Het apparaat mag niet worden aangesloten op een stekkerdoos, maar moet rechtstreeks op een stopcontact worden aangesloten. Neem voor andere afwijkingen contact op met uw dealer.

ANNOTATIE

Afval van gebruikte apparatuur: Alle gebruikte apparatuur moet worden afgevoerd in overeenstemming met de geldende voorschriften in uw land*. Zorg ervoor dat u het apparaat onbruikbaar maakt voordat u het weggooit door het netsnoer te verwijderen.

op het gebied van ecologie en recycling

7. ONREGELMATIGE WERKING

ANOMALIE	OORZAKEN	UITLEG
Het apparaat werkt niet, het verwarmingscontrolelampje brandt niet.	<ul style="list-style-type: none"> > Het netsnoer is niet aangesloten. > De zekering van de voeding is doorgebrand. > De voedingskast werkt niet. > De veiligheidsthermostaat is geactiveerd. > De veiligheidsthermostaat is beschadigd. 	<ul style="list-style-type: none"> > Sluit de stroomkabel correct aan. > Controleer al uw back-ups. > Controleer de positie van de doos. > Druk op de resetknop in de behuizing. > Neem contact op met uw dealer.
Het apparaat is ingeschakeld, maar wordt niet warm. Het verwarmingsindicatielampje blijft uit.	<ul style="list-style-type: none"> > De veiligheidsthermostaat heeft gereageerd. > De weerstand werkt niet meer. > Contact met beschadigd verwarmingselement. 	Raadpleeg uw dealer.
De gewenste temperatuur wordt niet bereikt.	De thermostaat is beschadigd.	Raadpleeg uw dealer.
Het verwarmingselement schakelt na een bepaalde tijd uit.	De veiligheidsthermostaat is gestart.	Druk op de resetknop in de aansluitdoos.

ANNOTATIE

De bovenstaande fouten worden slechts ter indicatie gegeven en blijven virtueel. Neem bij twijfel contact op met uw dealer.